

1 2 3 4 5 6

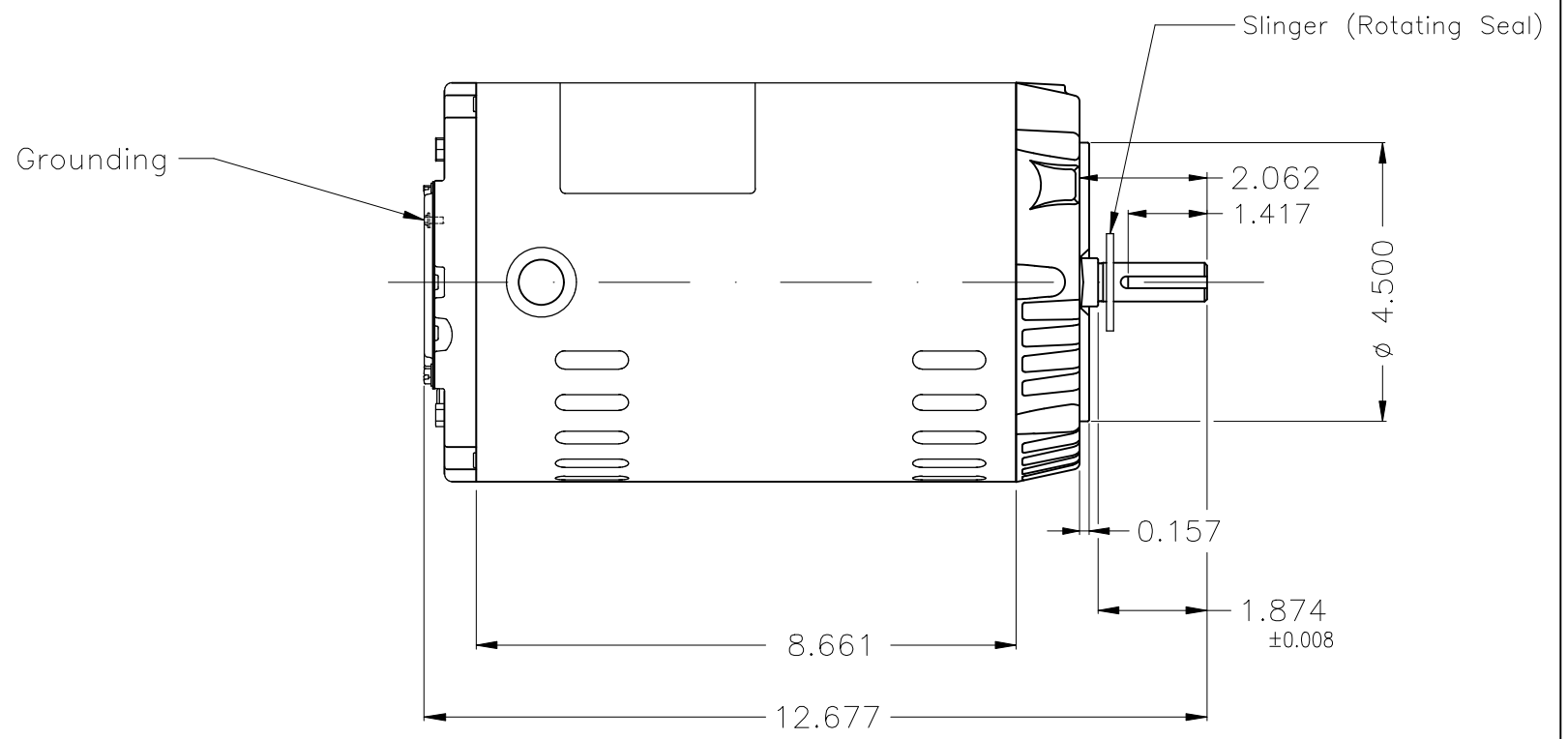
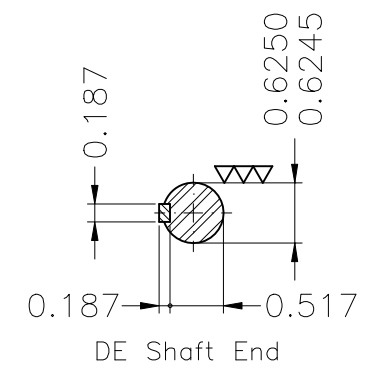
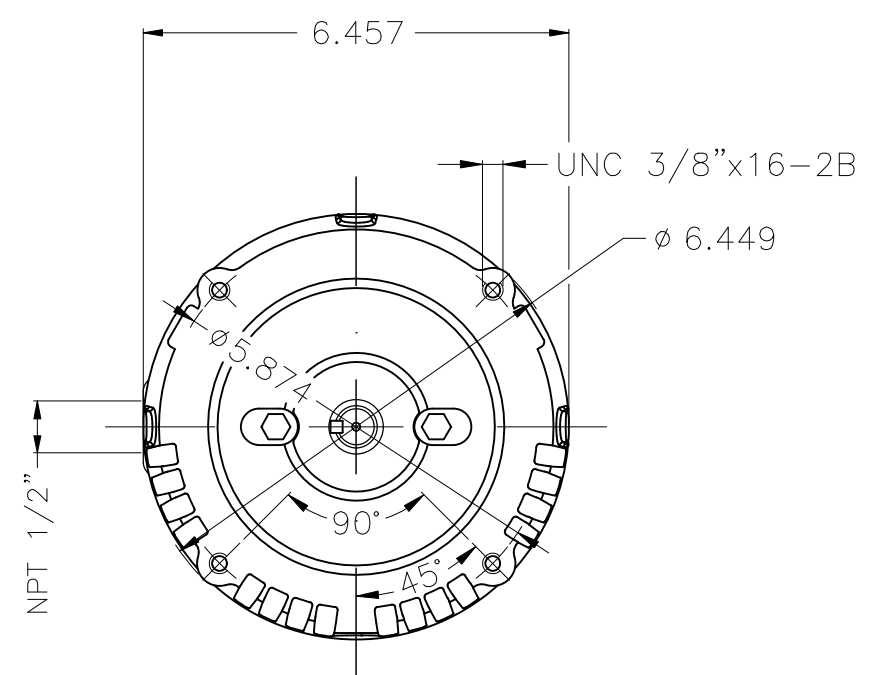
A

B

C

D

E



Color Munsell N 1 matte black						
Painting plan 207N						
Mounting F-1/B14R(D)						
					HYBRISUSER	00
ECM	LOC	SUMMARY OF MODIFICATIONS		EXECUTED	CHECKED	RELEASED DATE VER
EXECUTED	HYBRISUSER	THREE PH. MOTOR ROLLED STEEL JET PUMP KEYED PREM. EFF.				
CHECKED		FRAME 56C IP21 ODP				
RELEASED						
REL. DATE	WMO	Jaragua do Sul	Product Engineering	WDD	00	1 / 1

2 HP 02 Poles 60 Hz

A



Dimensions in inches XME A3