

1

2

3

4

5

6

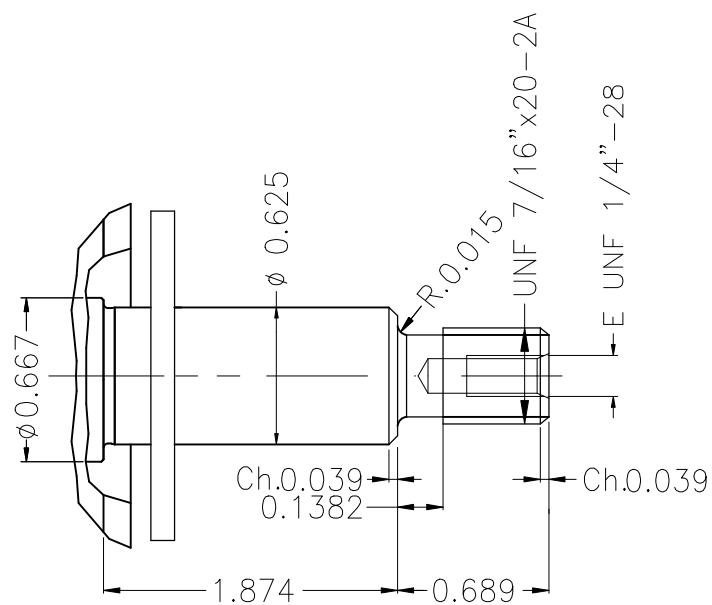
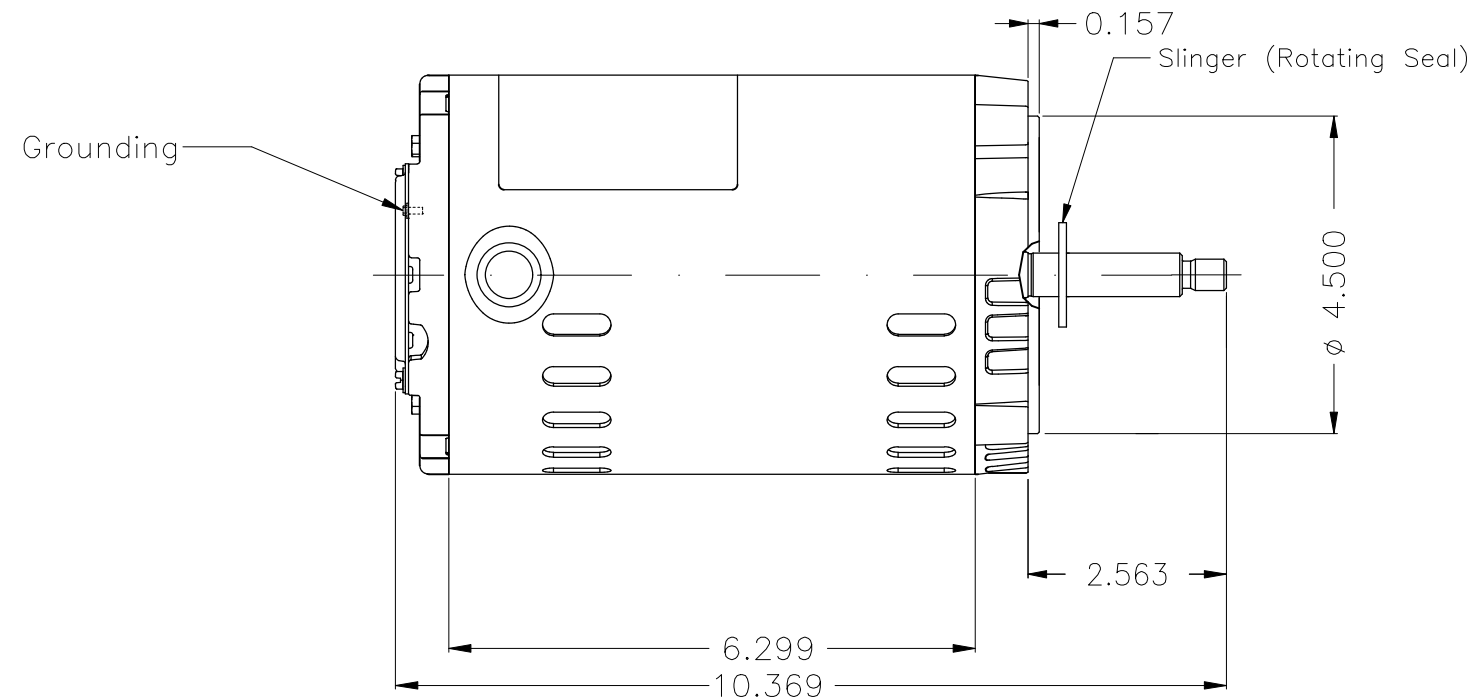
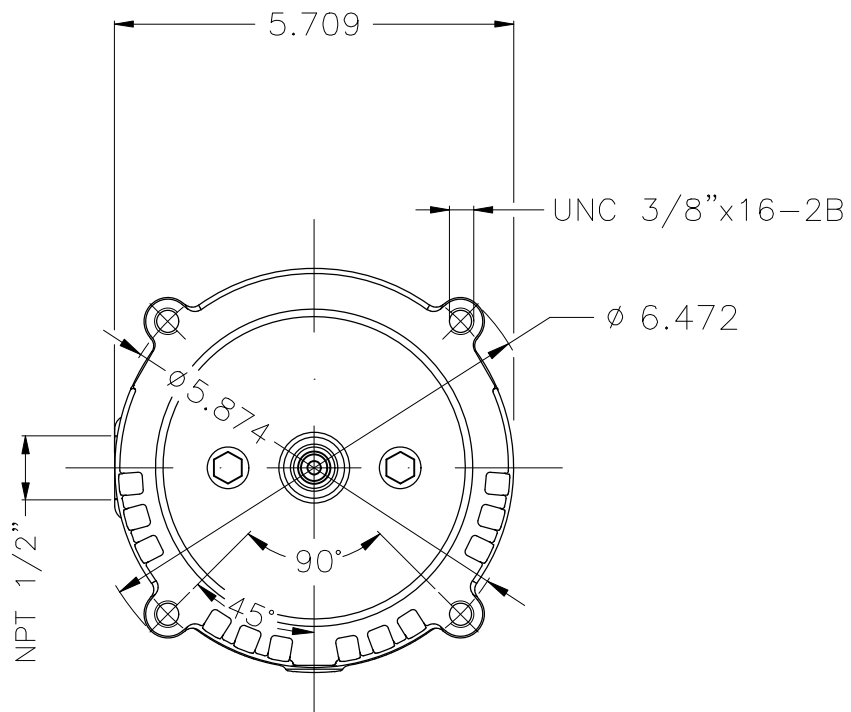
A

B

C

D

E



Color Munsell N 1 matte black
 Painting plan 207N
 Mounting F-1/B14R(D)

ECM	LOC	SUMMARY OF MODIFICATIONS	EXECUTED	CHECKED	RELEASED	DATE	VER
EXECUTED	HYBRISUSER	THREE PH. MOTOR ROLLED STEEL JET PUMP THREADED					
CHECKED		FRAME W56J IP21 ODP					
RELEASED							
REL. DATE	WMO	Jaragua do Sul	Product Engineering	PREVIEW	WDD	00	
			SHEET	1 / 1			

0.5 HP 02 Poles 60 Hz

A

Dimensions in inches

XME A3

