

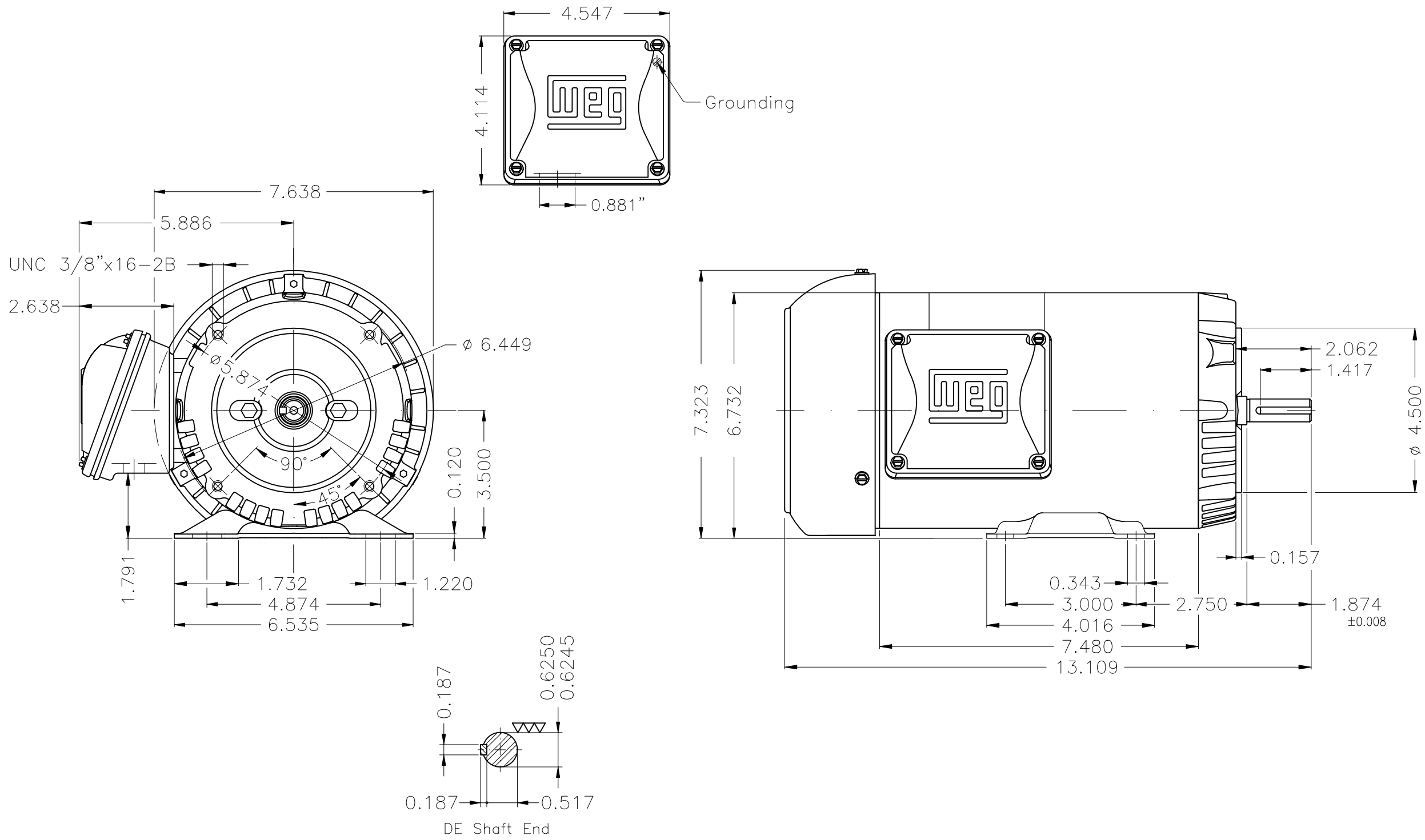
A

B

C

D

E



Fan cover - steel plate
 Color Munsell N 1 matte black
 Painting plan 207N
 Mounting B34D

					HYBRISUSER					00
ECM	LOC	SUMMARY OF MODIFICATIONS			EXECUTED	CHECKED	RELEASED	DATE	VER	
EXECUTED	HYBRISUSER	THREE PH. MOTOR ROLLED STEEL PREM. EFF. FRAME 56C IP55 TEFC			PREVIEW					
CHECKED					WDD	00				
RELEASED					SHEET	1 / 1				
REL. DATE		WMO	Jaragua do Sul	Product Engineering						

1.5 HP 02 Poles 60 Hz

A