

1 2 3 4 5 6

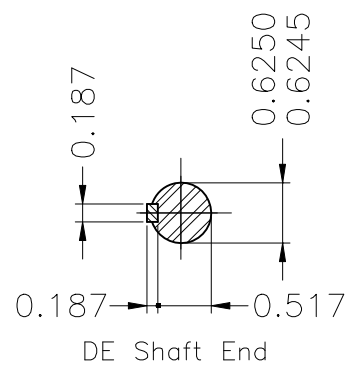
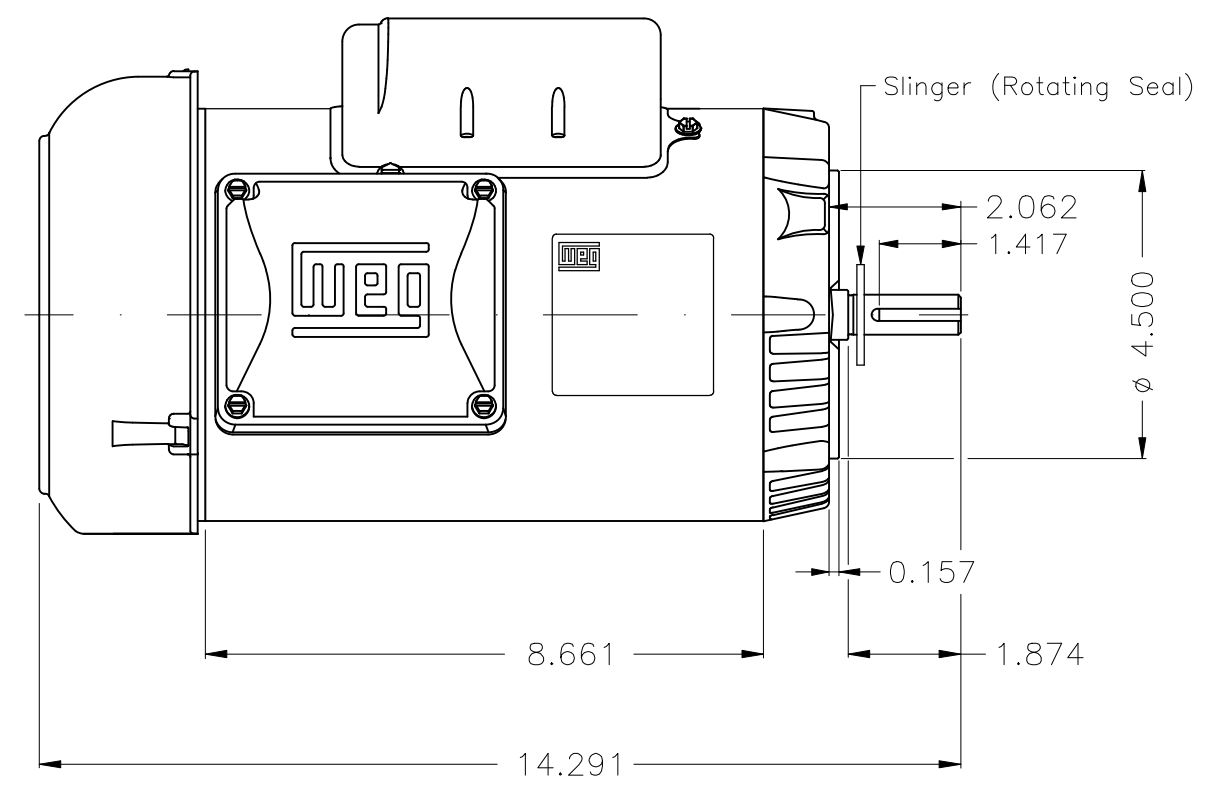
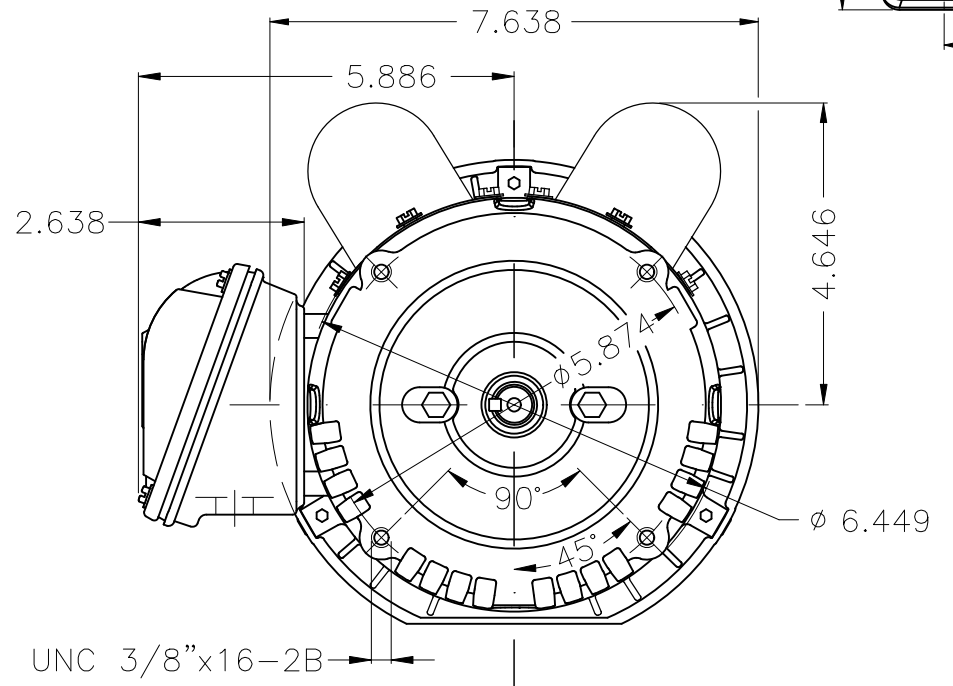
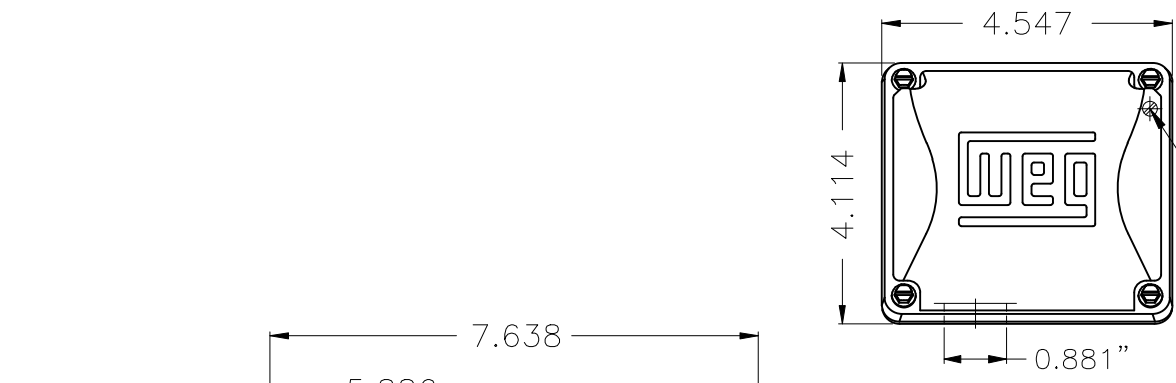
A

B

C

D

E



|                               |            |   |                |                     |            |         |          |      |     |
|-------------------------------|------------|---|----------------|---------------------|------------|---------|----------|------|-----|
| Color Munsell N 1 matte black |            |   |                |                     |            |         |          |      |     |
| Painting plan 207N            |            |   |                |                     |            |         |          |      |     |
| Mounting F-1/B14R(D)          |            |   |                |                     |            |         |          |      |     |
|                               |            |   |                |                     |            |         |          |      |     |
|                               |            |   |                |                     | HYBRISUSER | 00      |          |      |     |
| ECM                           | LOC        | SUMMARY OF MODIFICATIONS                                |                |                     | EXECUTED   | CHECKED | RELEASED | DATE | VER |
| EXECUTED                      | HYBRISUSER | SINGLE PH. MOTOR ROLLED STEEL JET PUMP KEYED PREM. EFF. |                |                     |            |         |          |      |     |
| CHECKED                       |            | FRAME 56C IP55 TEFC                                     |                |                     |            |         |          |      |     |
| RELEASED                      |            |   |                |                     |            |         |          |      |     |
| REL. DATE                     |            | WMO   | Jaragua do Sul | Product Engineering | WDD        | 00      |          |      |     |
|                               |            |   |                |                     | SHEET      |         | 1 / 1    |      |     |

1.5 HP 02 Poles 60 Hz

A



Dimensions in inches XME A3