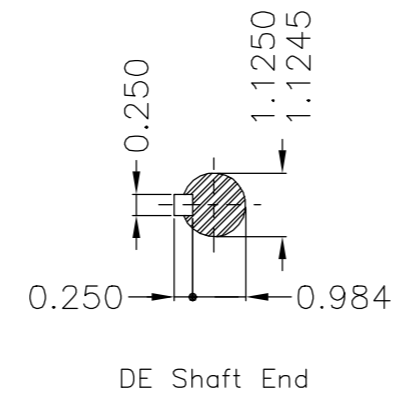
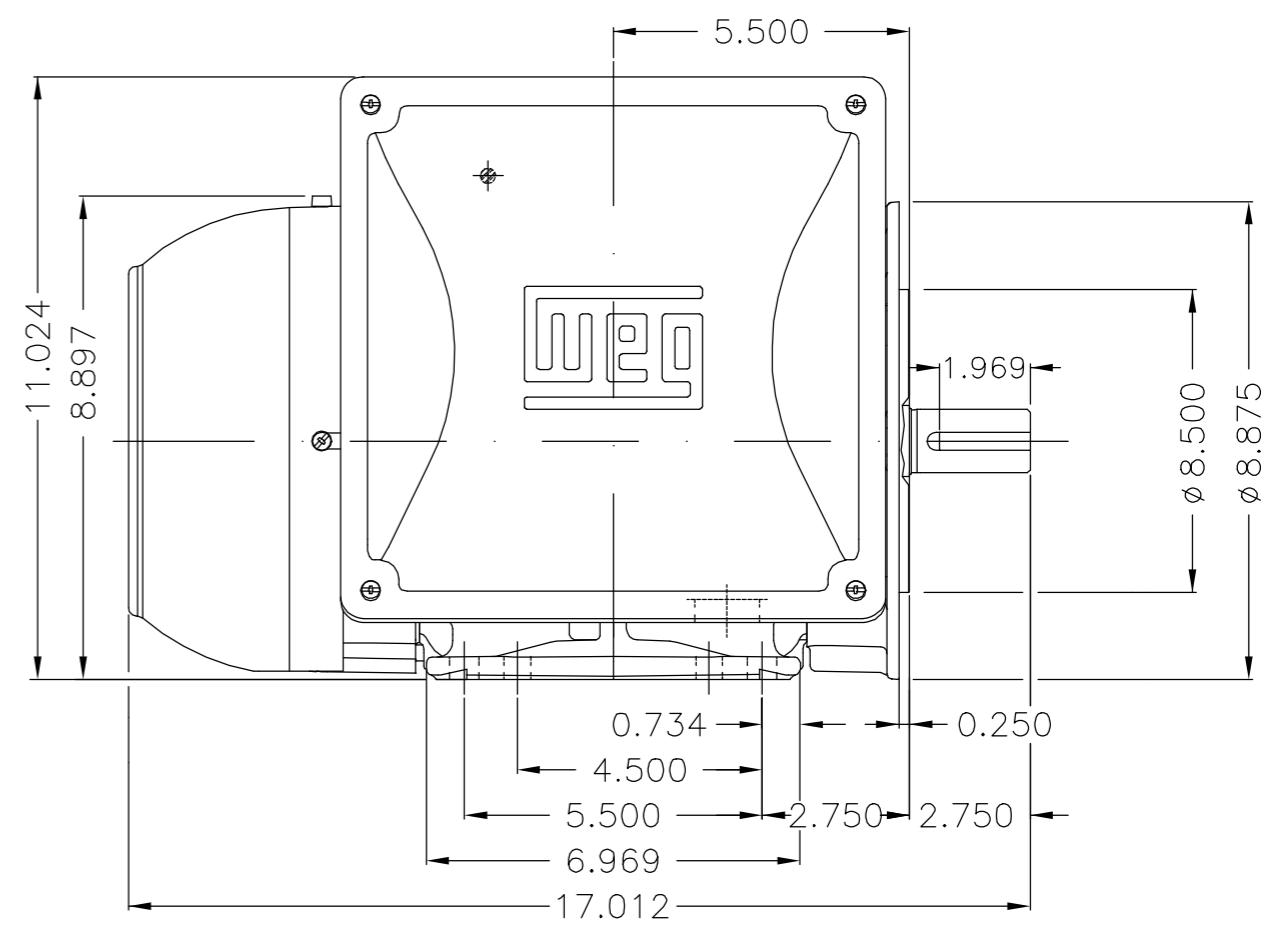
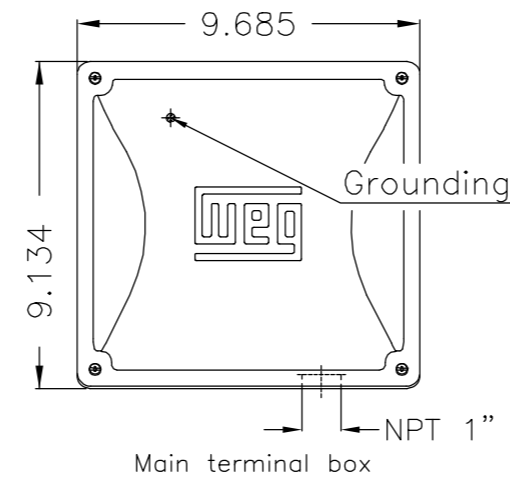
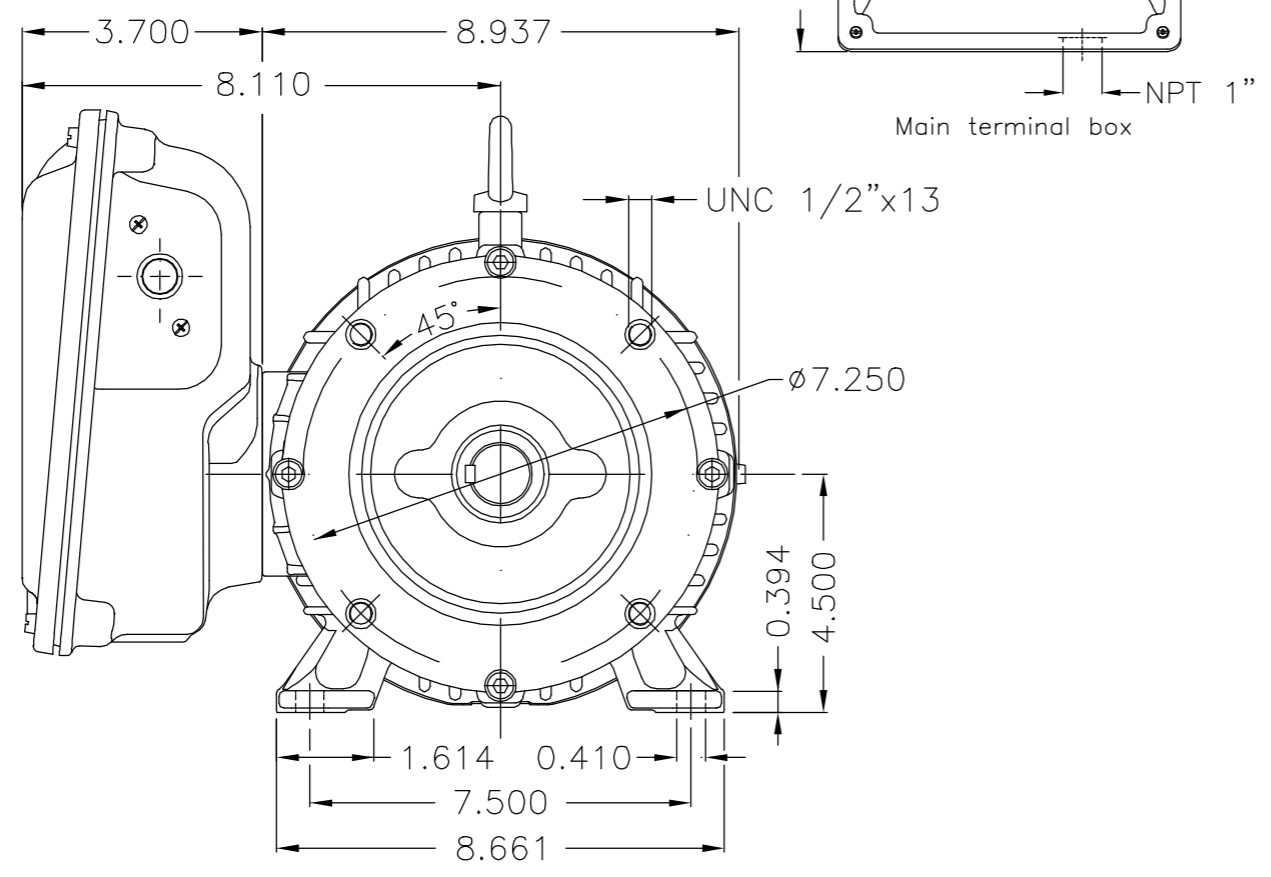


EIXO/SHAFT	
PADRÃO/STANDARD	X
Dimensões em polegada	
OPCIONAL/OPTIONAL	
Dimensions in inches	
ESPECIAL/SPECIAL	

CERTIFIED WEG MOTORES
 Certified document.
 Not subject to changes.

THIS IS AN UPDATED REVISION, THE PREVIOUS ONE MUST BE DISREGARDED.

A
B
C
D
E



Protetor térmico fenólico - manual / Phenolic thermal protector - manual
 Saída dos cabos para baixo olhando para a ponta do eixo
 Outlet leads directed to down when looking at shaft end
 Forma construtiva NEMA F-1 / Mounting NEMA F-1
 Forma construtiva B34D / Mounting B34R(D)

WEG EQUIPAMENTOS ELETRICOS S/A

500001562233	DOCUMENTO NOVO	SANDRESSA	EMERSONRH	EMERSONRH	22.02.2019	00			
ECM	LOC	SUMMARY OF MODIFICATIONS			EXECUTED	CHECKED	RELEASED	DATE	VER
EXECUTED	SANDRESSA	SINGLE PHASE MOTOR W22 FARM DUTY NEMA			10006401413				
CHECKED	EMERSONRH	FRAME 182/4TC IP55 TEFC			000 00				
RELEASED	EMERSONRH								
REL DT	22.02.2019	WMO	Jaragua do Sul	Product Engineering	SHEET	01 / 01			

3 HP 04 Poles 60Hz

415367116 A



UNCONTROLLED COPY RELEASED ZME A3