

1 2 3 4 5 6

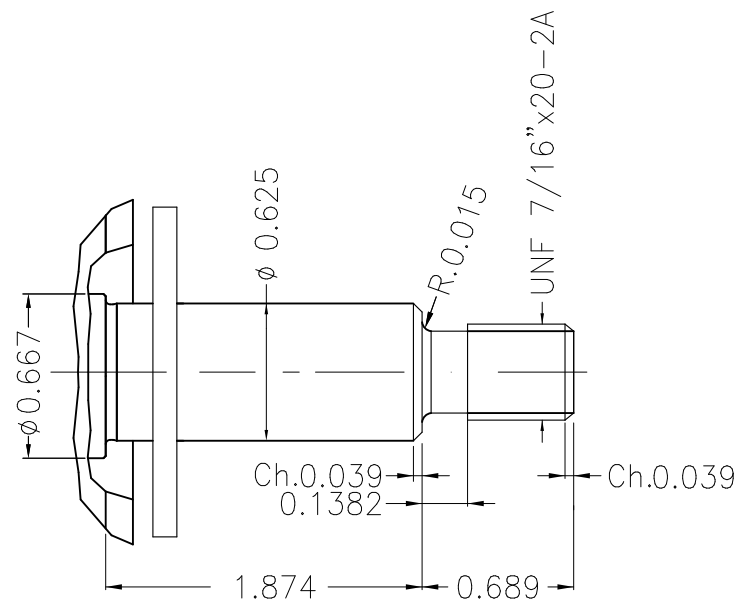
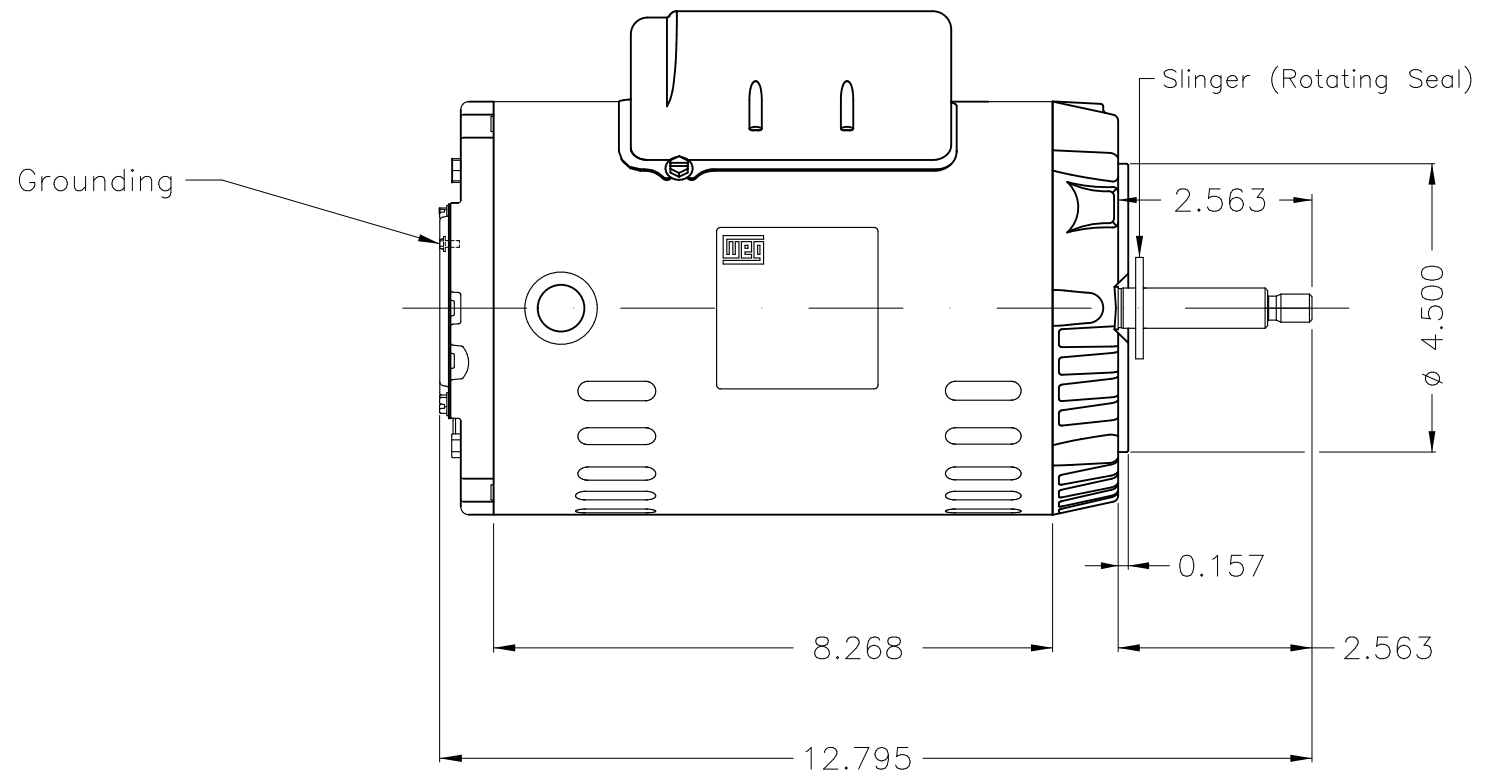
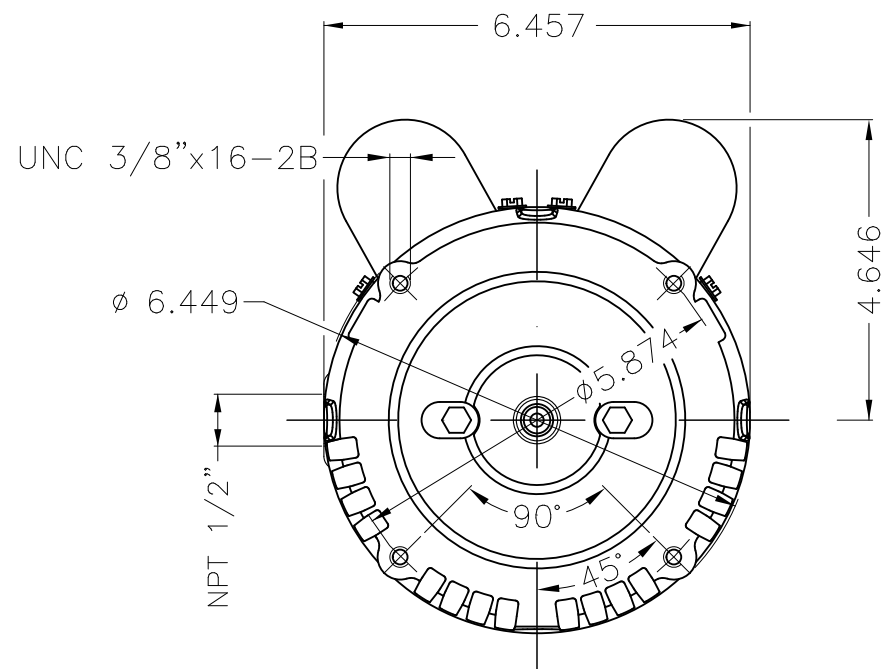
A

B

C

D

E



Color Munsell N 1 matte black
 Painting plan 207N
 Mounting F-1/B14R(D)

						HYBRISUSER								00		
ECM	LOC	SUMMARY OF MODIFICATIONS				EXECUTED	CHECKED	RELEASED	DATE	VER						
EXECUTED	HYBRISUSER	SINGLE PH. MOTOR ROLLED STEEL JET PUMP THREADED PUMP EFF.														
CHECKED		FRAME 56J IP21 ODP														
RELEASED																
REL. DATE		WMO Jaragua do Sul				Product Engineering		SHEET		1 / 1						

1.5 HP 02 Poles 60 Hz

A

