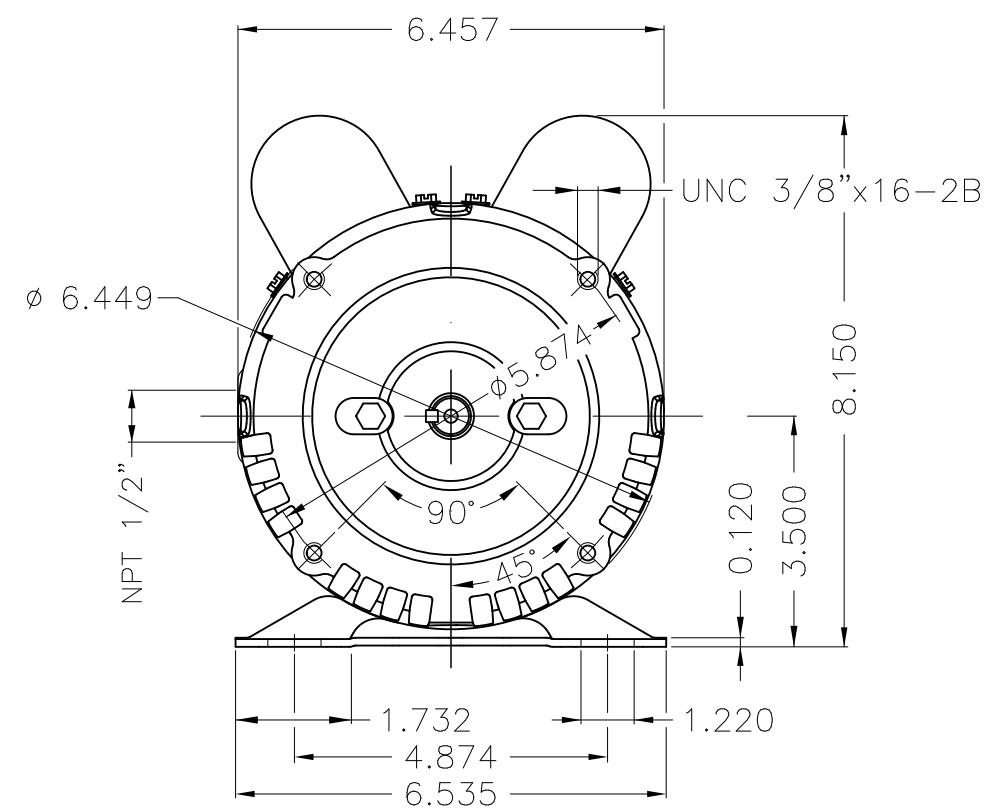
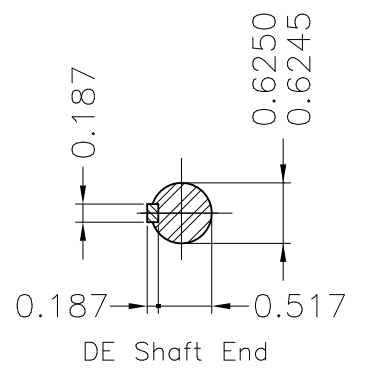
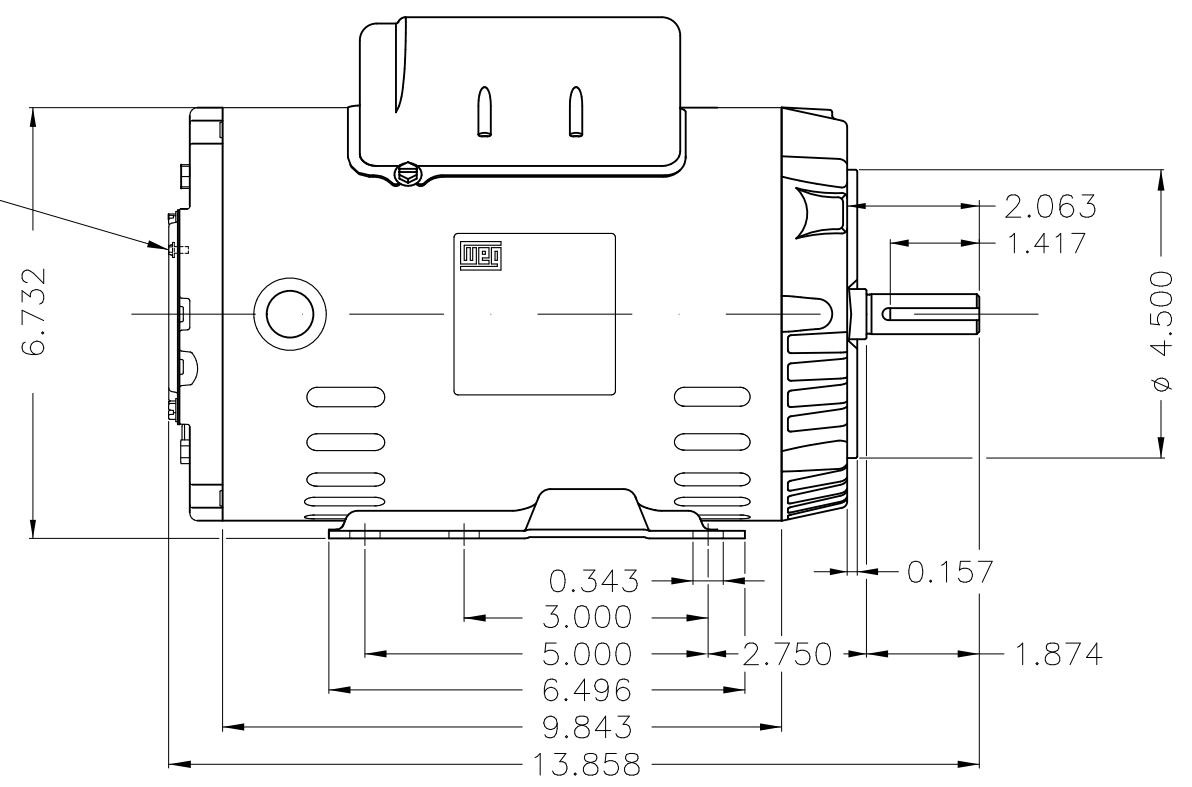


A  
B  
C  
D  
E



Grounding



Dimensions in inches

Color Munsell N 1 matte black						
Painting plan 207N						
Mounting F-1/B34R(D)						
					HYBRISUSER	00
ECM	LOC	SUMMARY OF MODIFICATIONS		EXECUTED	CHECKED	RELEASED
EXECUTED	HYBRISUSER	SINGLE PH. MOTOR ROLLED STEEL PREM. EFF.		PREVIEW		
CHECKED		FRAME 56HC IP21 ODP		WDD 00		
RELEASED				SHEET 1 / 1		
REL. DATE		WMO	Jaragua do Sul	Product Engineering		

3 HP 02 Poles 60 Hz

A

XME A3