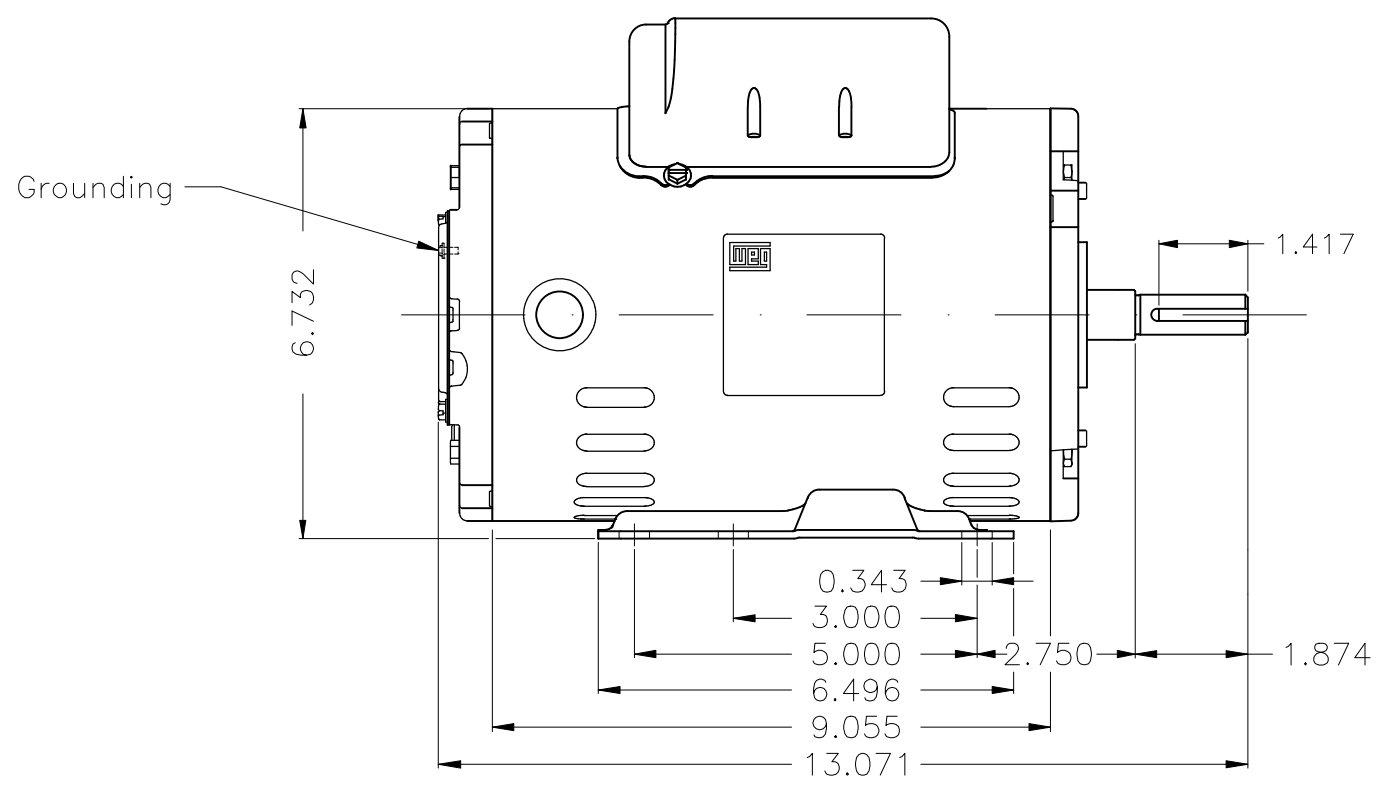
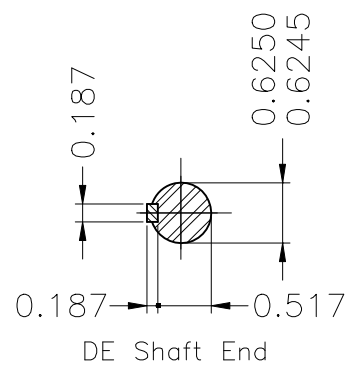
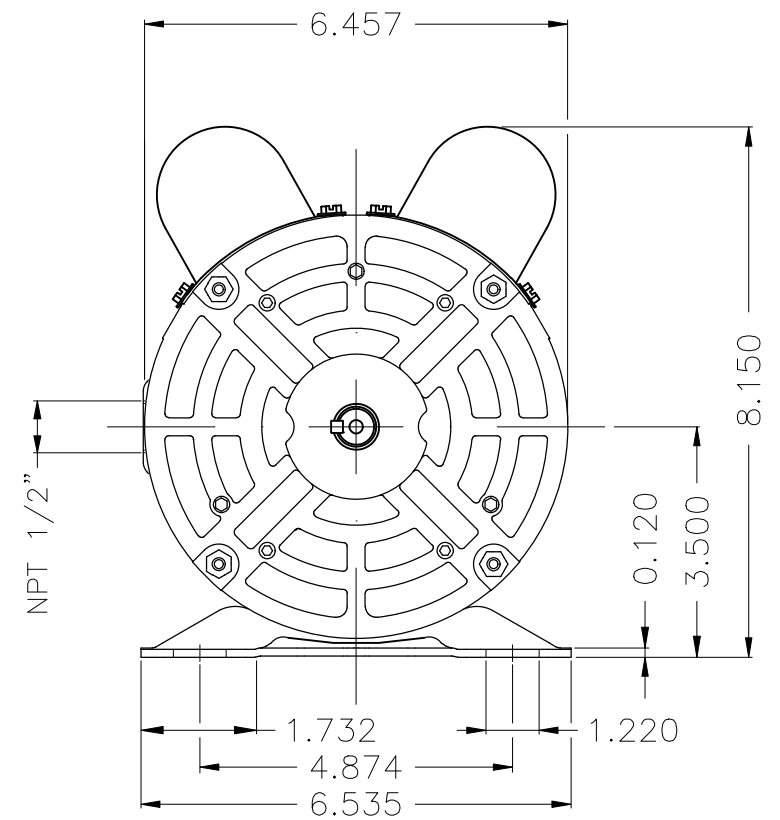


1 2 3 4 5 6

A
B
C
D
E



Packing - pallet									
Color Munsell N 1 matte black									
Painting plan 207N									
Mounting F-1/B3R(D)									
						HYBRISUSER	00		
ECM	LOC	SUMMARY OF MODIFICATIONS			EXECUTED	CHECKED	RELEASED	DATE	VER
EXECUTED	HYBRISUSER	SINGLE PH. MOTOR ROLLED STEEL PREM. EFF.					PREVIEW		
CHECKED		FRAME 56H IP21 ODP					WDD		00
RELEASED							SHEET		1 / 1
REL. DATE	WMO	Jaragua do Sul			Product Engineering				

1.5 HP 04 Poles 60 Hz

A

