

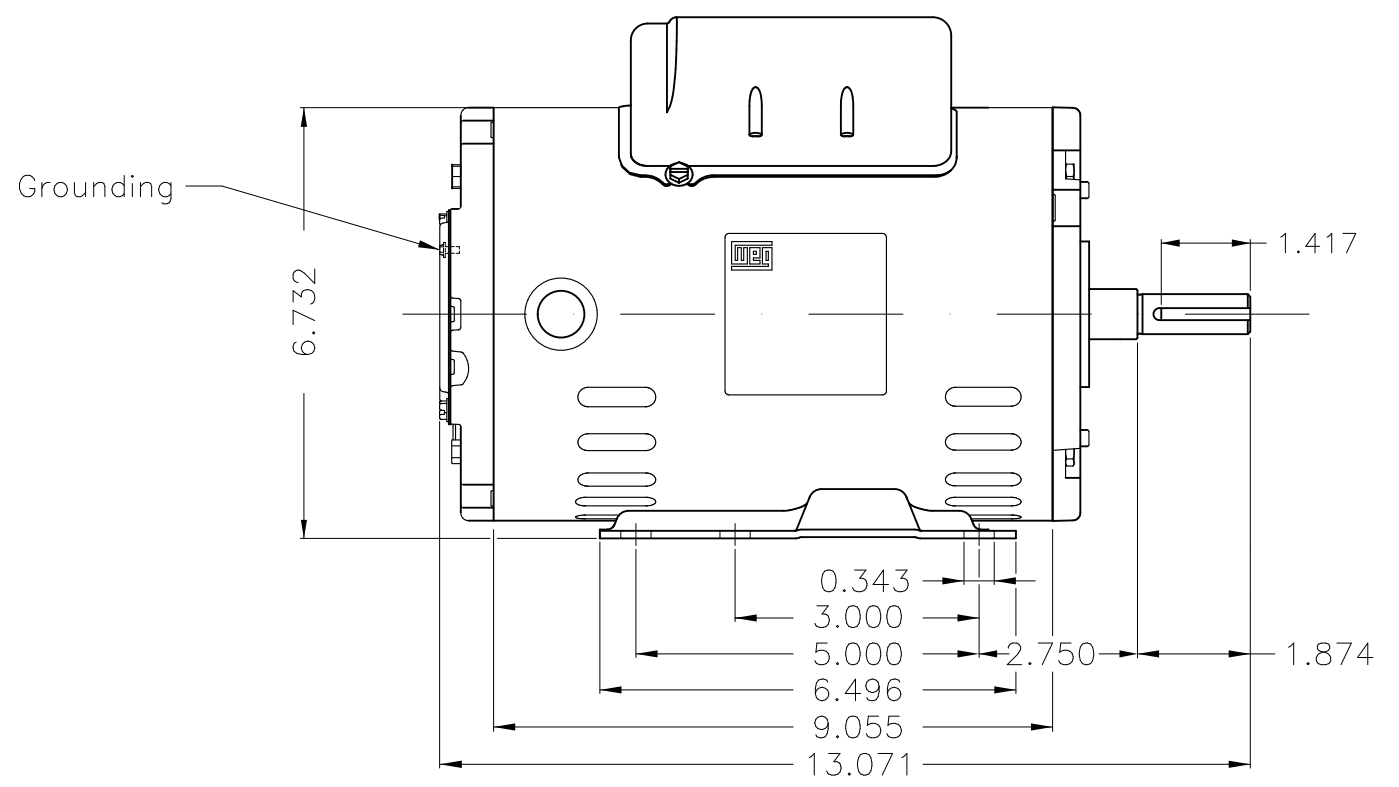
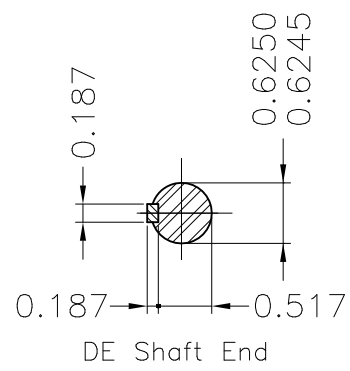
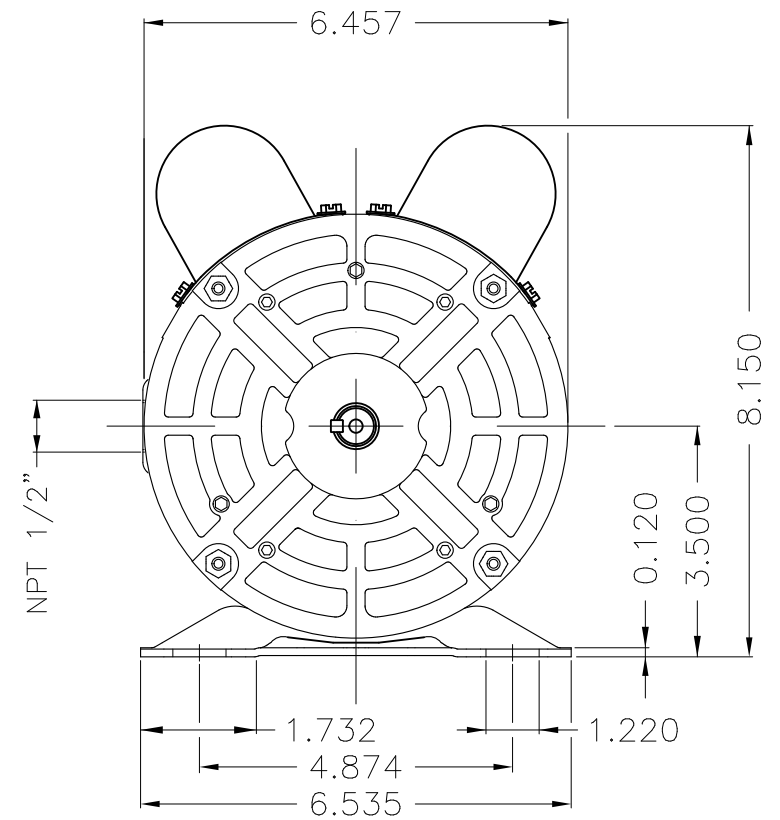
A

B

C

D

E



Grounding

Packing - pallet  
 Color Munsell N 1 matte black  
 Painting plan 207N  
 Mounting F-1/B3R(D)

				HYBRISUSER						00	
ECM	LOC	SUMMARY OF MODIFICATIONS				EXECUTED	CHECKED	RELEASED	DATE	VER	
EXECUTED	HYBRISUSER	SINGLE PH. MOTOR ROLLED STEEL PREM. EFF. FRAME 56H IP21 ODP				PREVIEW				WEG	
CHECKED						WDD		00			
RELEASED						SHEET		1 / 1			
REL. DATE		WMO	Jaragua do Sul	Product Engineering							

1.5 HP 04 Poles 60 Hz

A