

1 2 3 4 5 6

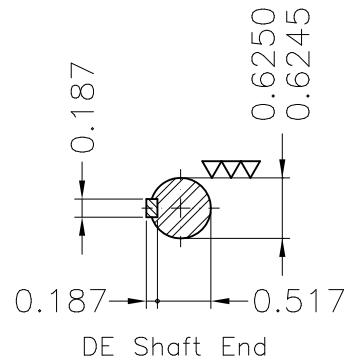
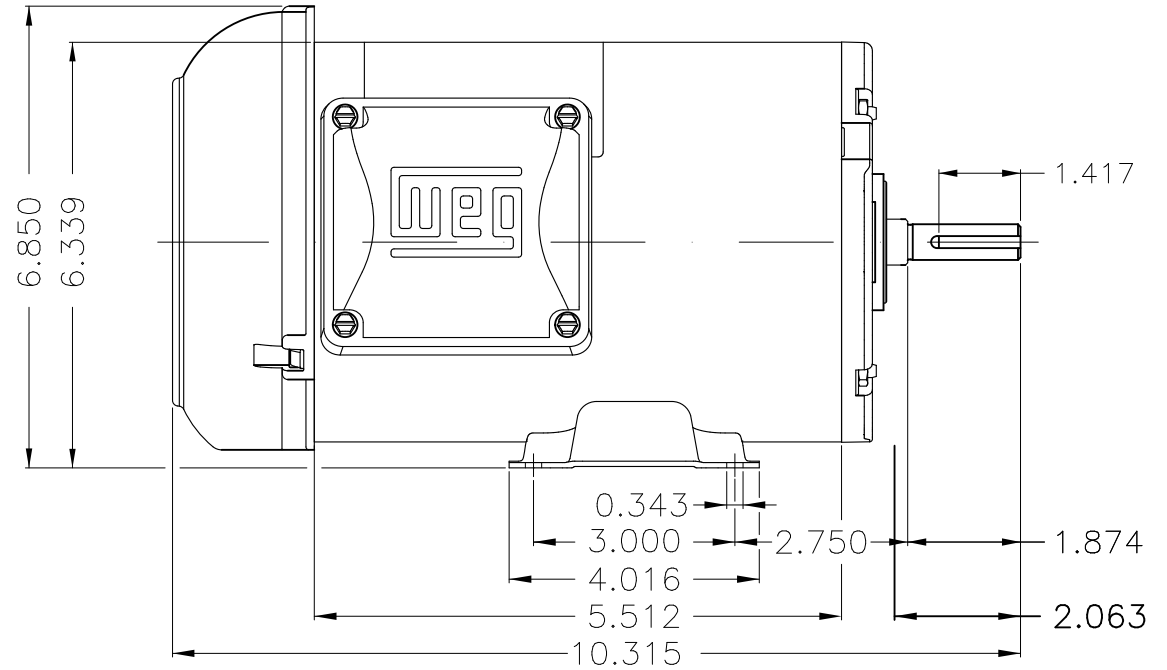
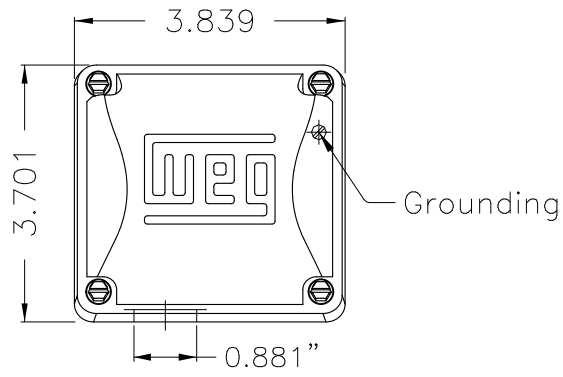
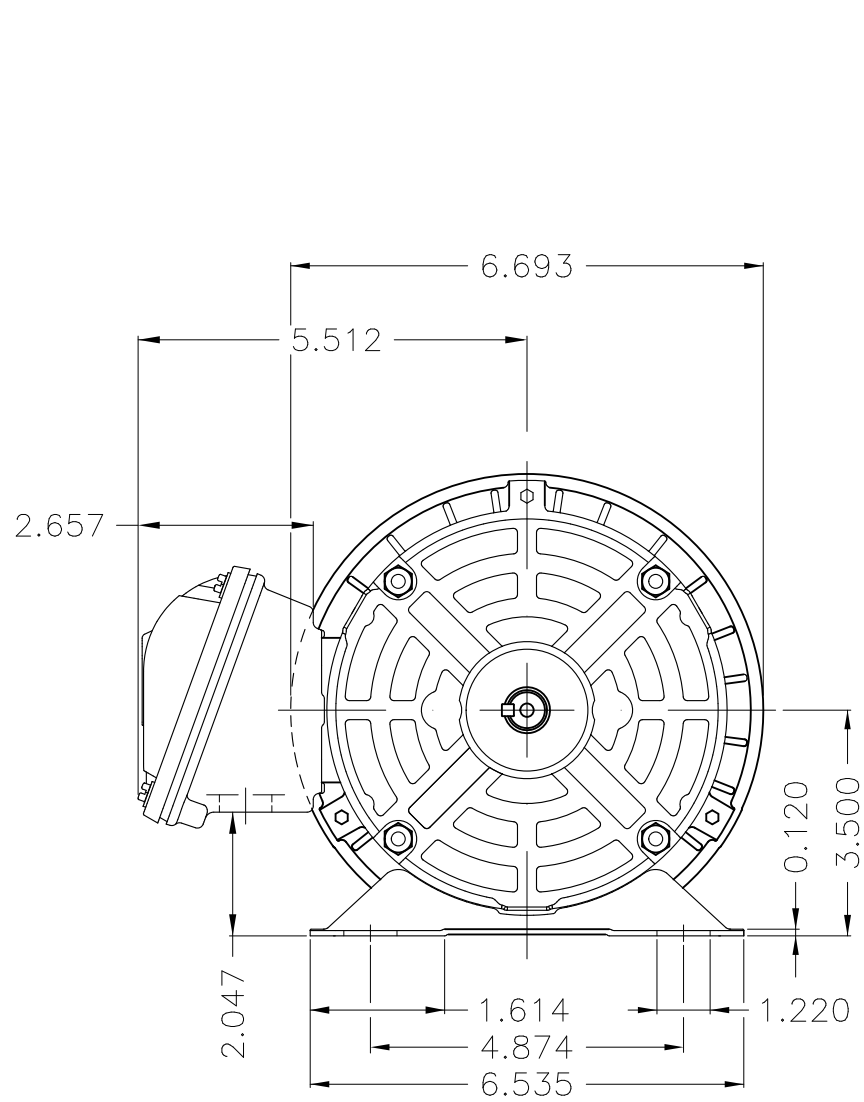
A

B

C

D

E



Dimensions in inches

0.33 HP 02 Poles 60 Hz

Without coating

Mounting F-1/B3R(D)

ECM	LOC	SUMMARY OF MODIFICATIONS	EXECUTED	CHECKED	RELEASED	DATE	VER
EXECUTED	HYBRISUSER	THREE PH. MOTOR ROLLED STEEL PREM. EFF. FRAME W56 IP55 TEFC	EXECUTED	CHECKED	RELEASED	DATE	VER
CHECKED			EXECUTED	CHECKED	RELEASED	DATE	VER
RELEASED			EXECUTED	CHECKED	RELEASED	DATE	VER

HYBRISUSER 00

REL. DATE WMO Jaragua do Sul Product Engineering SHEET 1 / 1

PREVIEW
WDD | 00

A