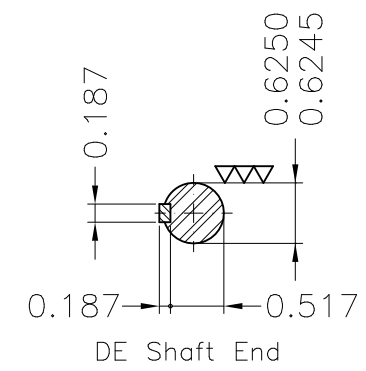
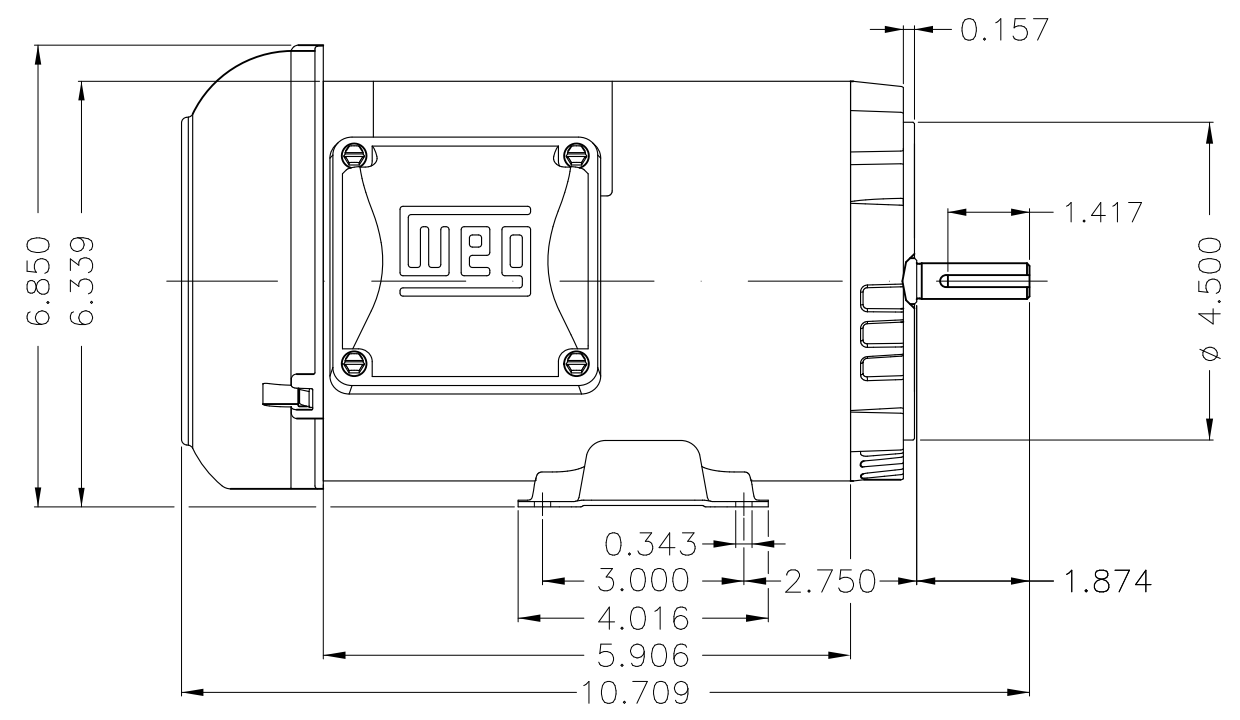
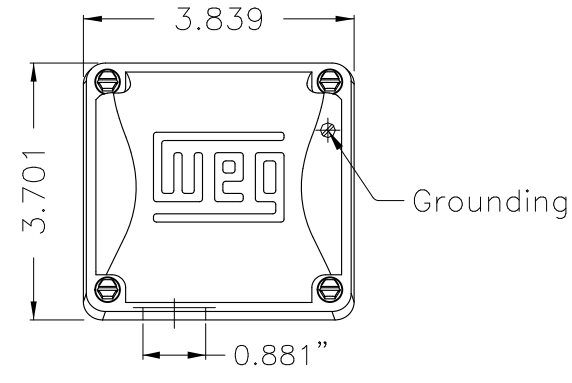
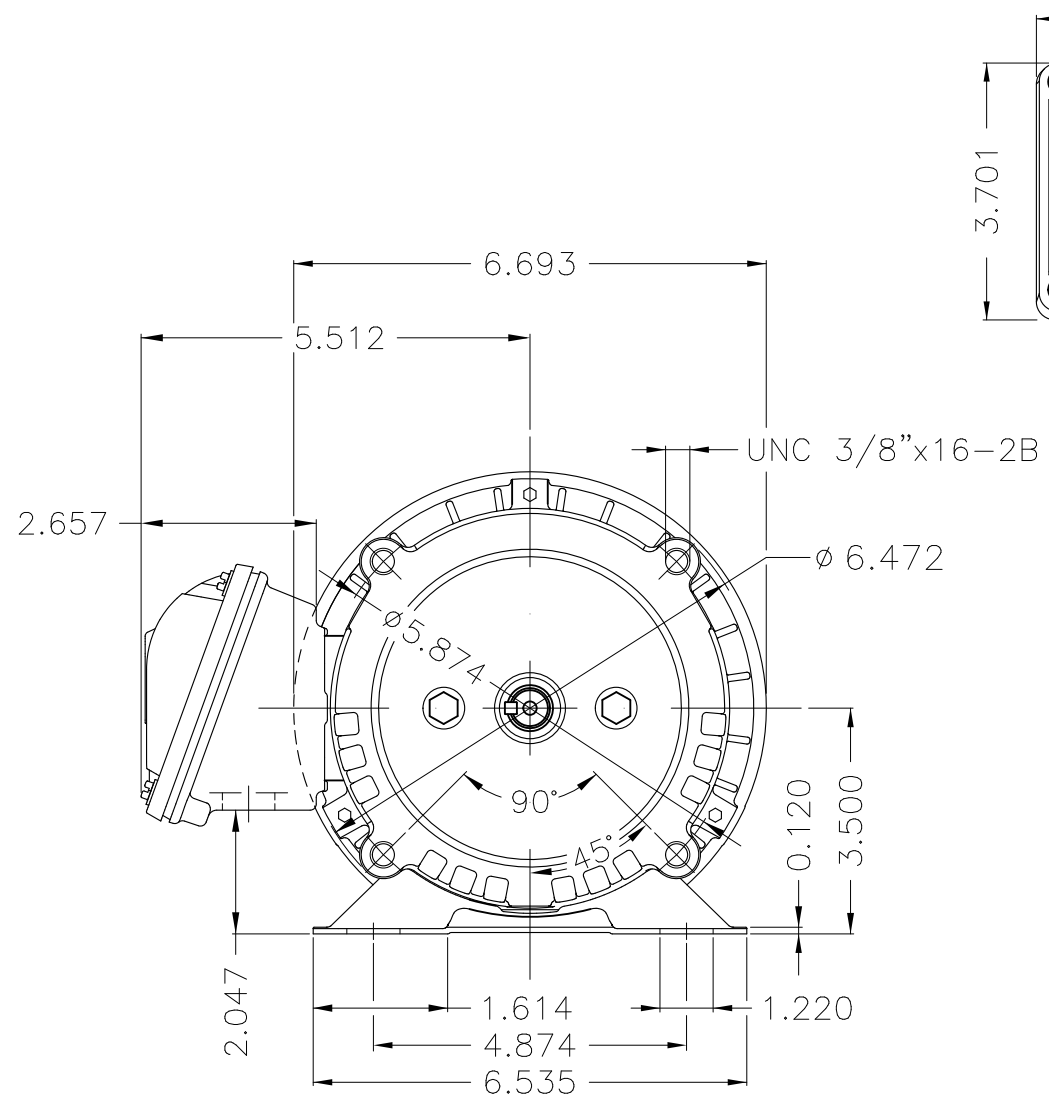


A
B
C
D
E



Color Munsell N 1 matte black					
Painting plan 207N					
Mounting F-1/B34R(D)					
				HYBRISUSER	00
ECM	LOC	SUMMARY OF MODIFICATIONS	EXECUTED	CHECKED	RELEASED
EXECUTED	HYBRISUSER	THREE PH. MOTOR ROLLED STEEL PREM. EFF. FRAME W56C IP55 TEFC	EXECUTED	CHECKED	RELEASED
CHECKED					
RELEASED					
REL. DATE	WMO	Jaragua do Sul	Product Engineering	<p>PREVIEW</p> <p>WDD 00</p> <p>SHEET 1 / 1</p>	

0.5 HP 02 Poles 60 Hz



Dimensions in inches XME A3