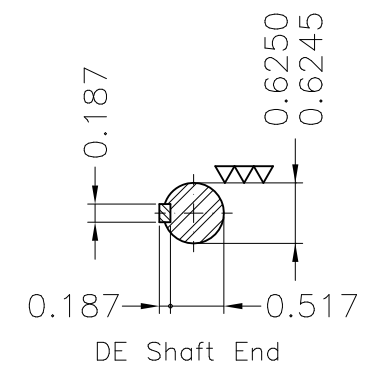
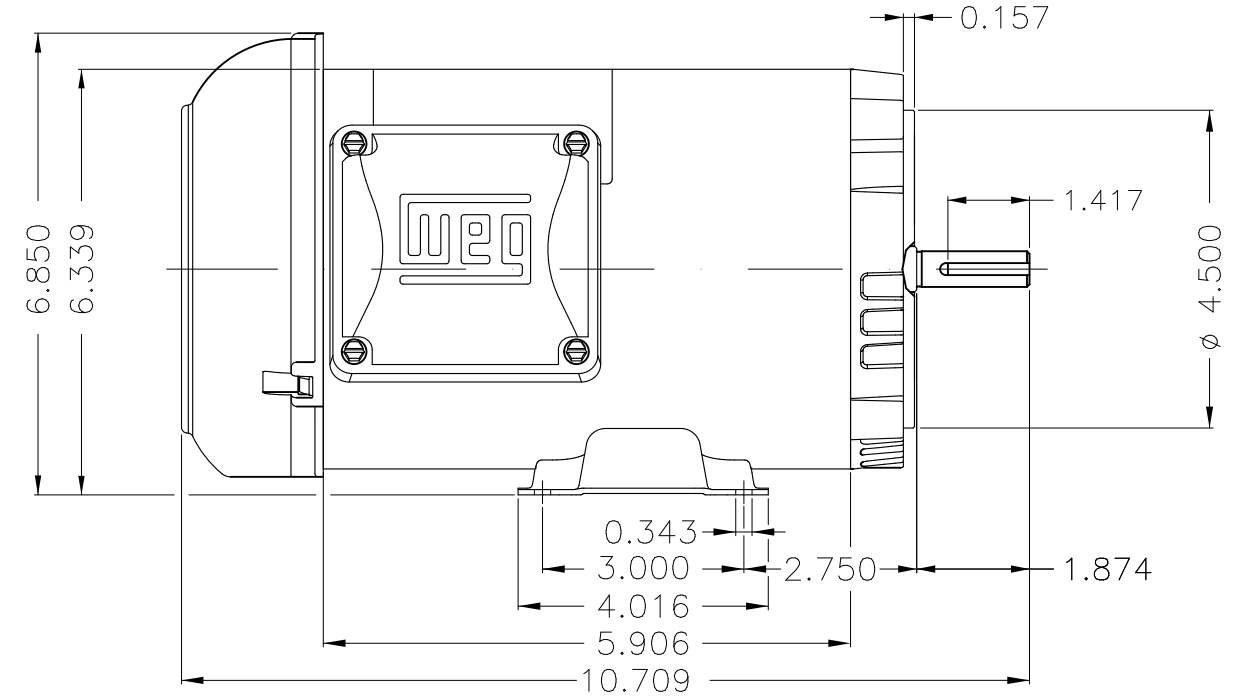
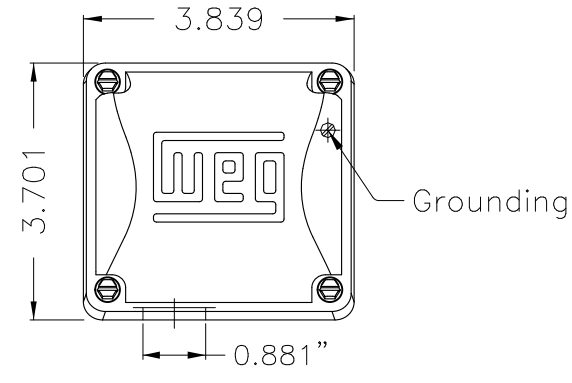
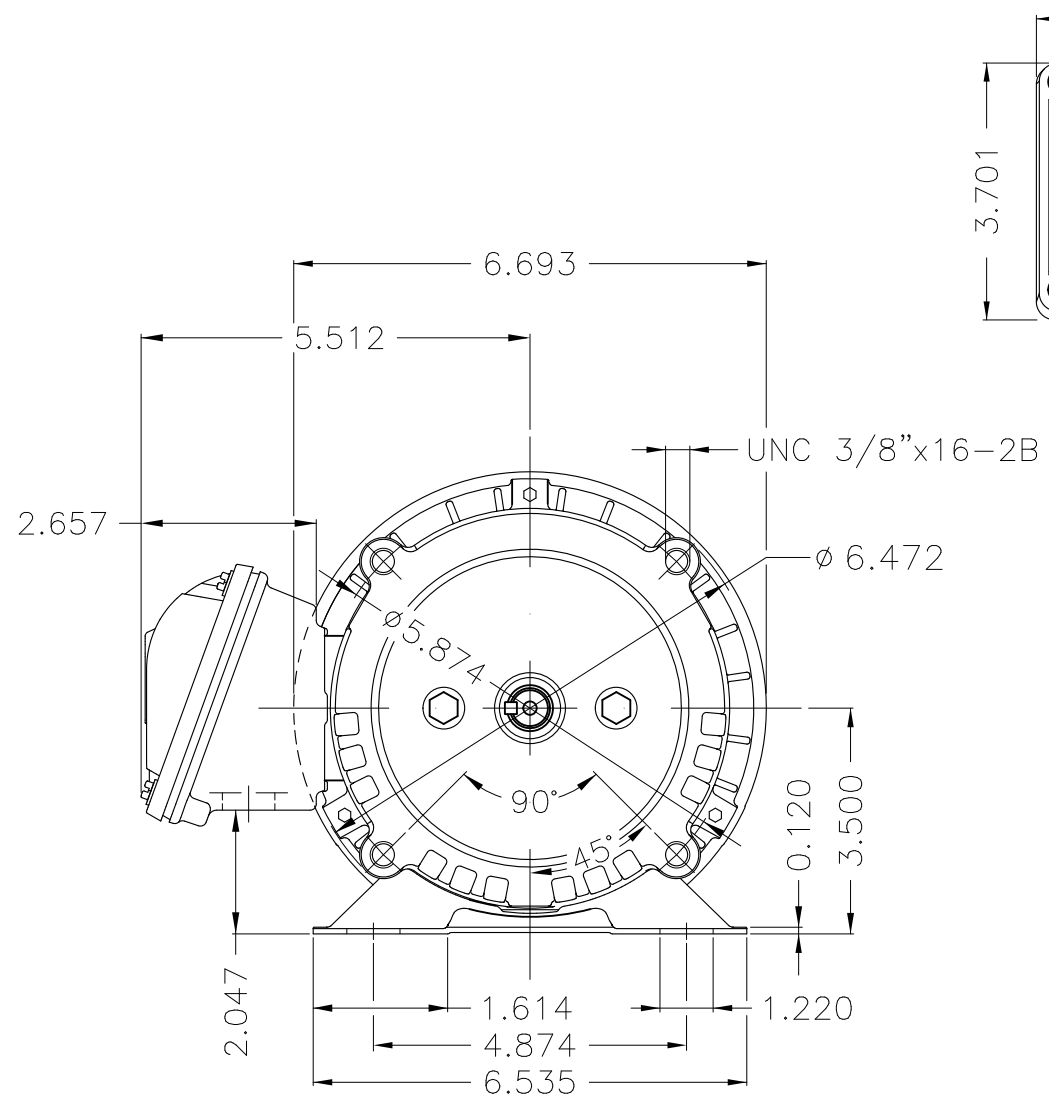



A  
B  
C  
D  
E



Color Munsell N 1 matte black					
Painting plan 207N					
Mounting F-1/B34R(D)					
				HYBRISUSER	00
ECM	LOC	SUMMARY OF MODIFICATIONS	EXECUTED	CHECKED	RELEASED
EXECUTED	HYBRISUSER	THREE PH. MOTOR ROLLED STEEL PREM. EFF. FRAME W56C IP55 TEFC	<b>PREVIEW</b> WDD   00 		
CHECKED					
RELEASED					
REL. DATE	WMO	Jaragua do Sul	Product Engineering	SHEET	1 / 1

0.5 HP 02 Poles 60 Hz

A