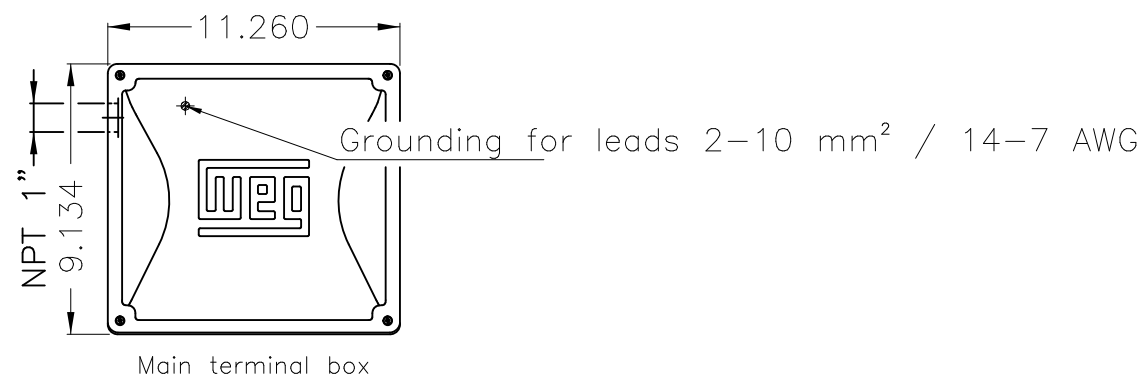
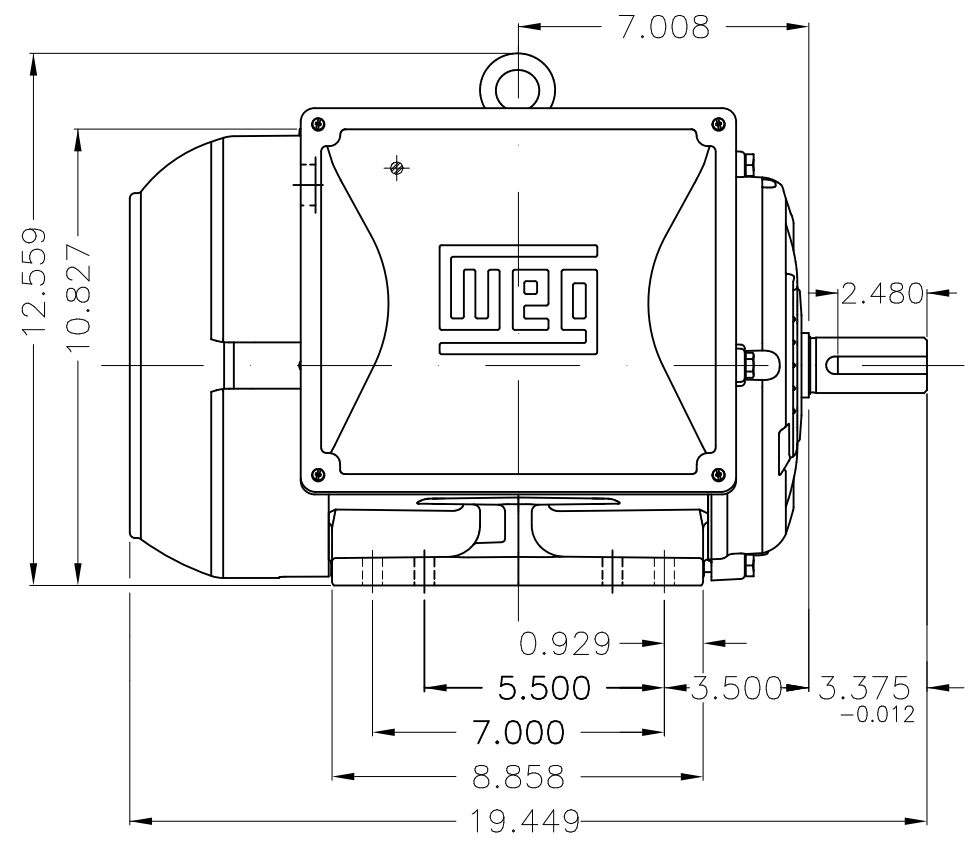
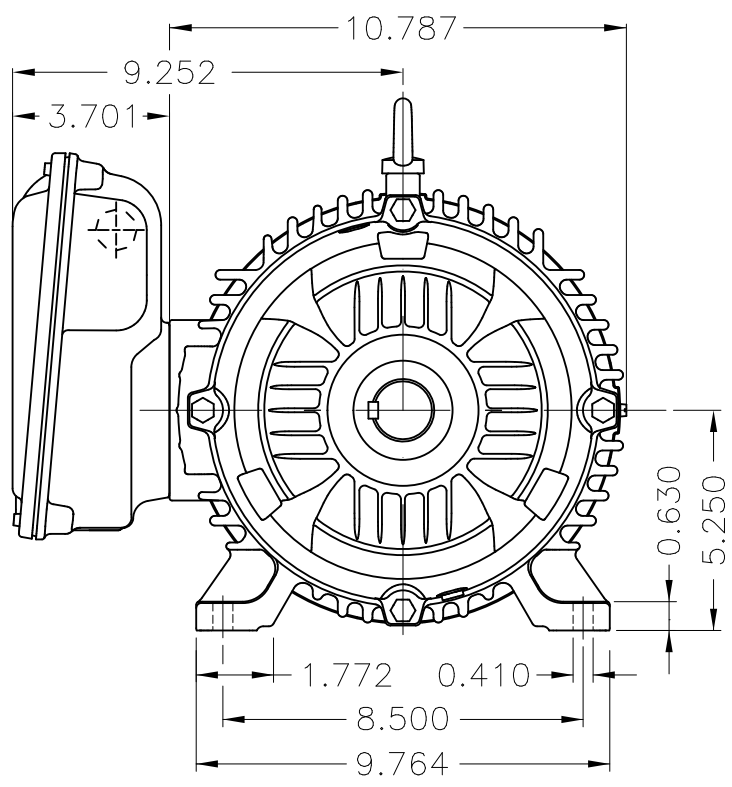


1 2 3 4 5 6

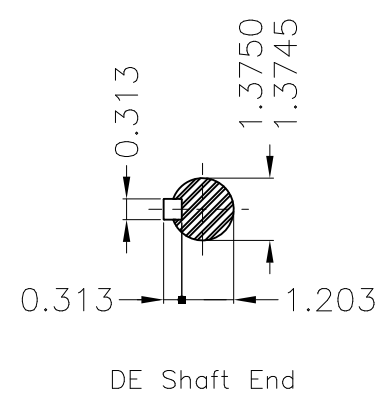
A



B



C



D

E

Mounting NEMA F-1					
Mounting B3R(D)					
				HYBRISUSER	00
ECM	LOC	SUMMARY OF MODIFICATIONS		EXECUTED	VER
EXECUTED	HYBRISUSER	SINGLE PH. MOTOR W22 FARM DUTY		PREVIEW	WDD 00
CHECKED		FRAME 213/5T IP55 TEFC			
RELEASED					
REL. DATE	WMO	Jaragua do Sul	Product Engineering	SHEET	1 / 1

12.5 HP 04 Poles 60 Hz

A

