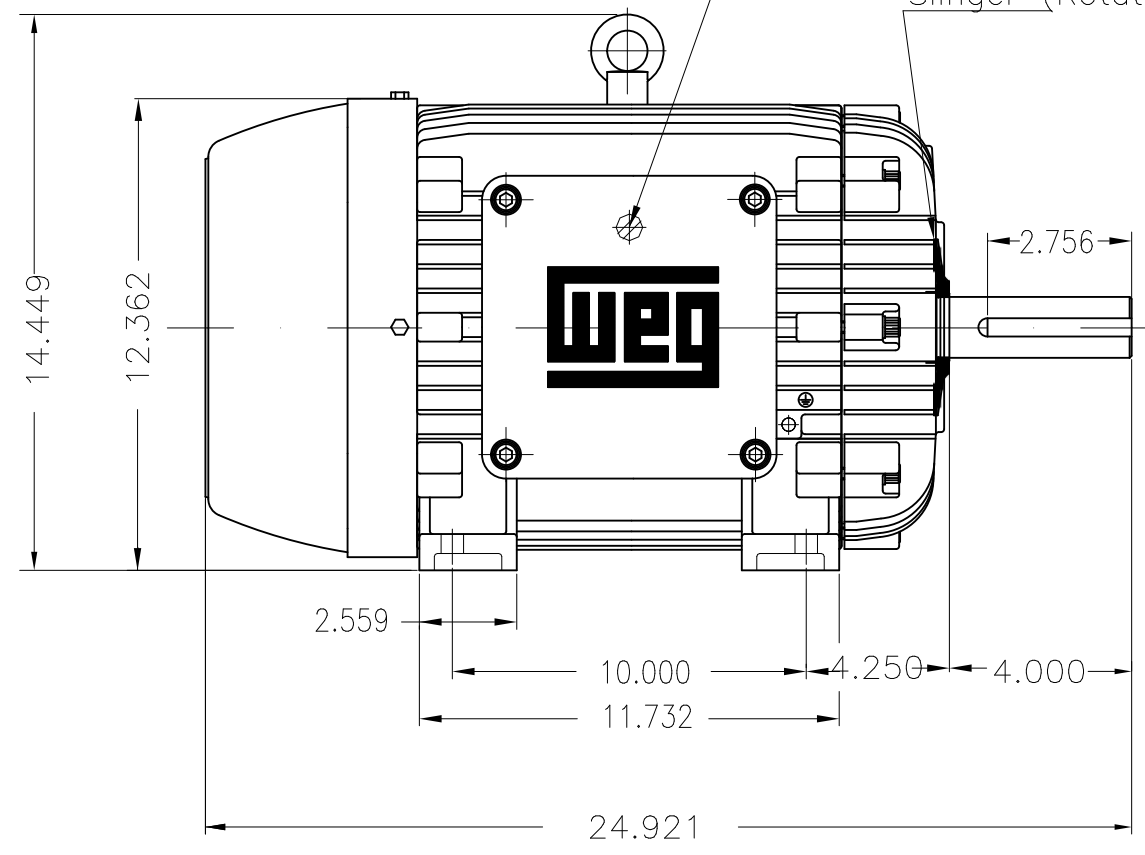
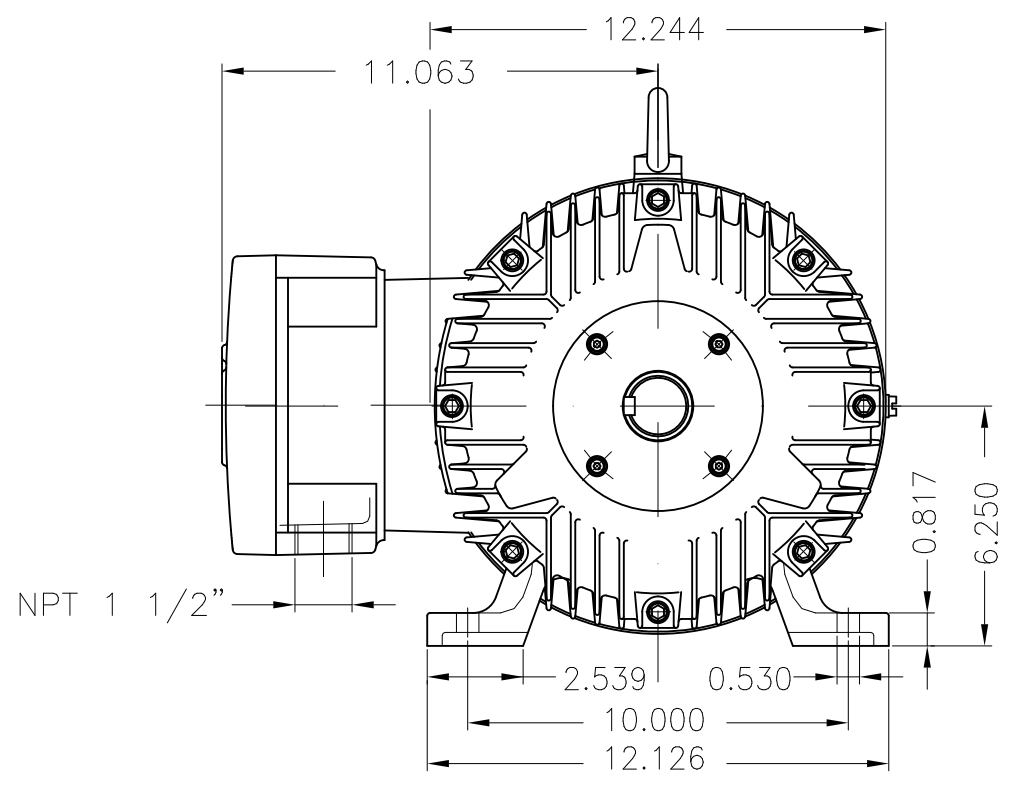


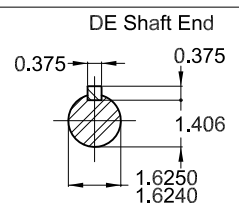
Grounding for leads 5.2–25 mm<sup>2</sup> / 10–4 AWG

Slinger (Rotating Seal)



7.5 HP 08 Poles 60 Hz A

- Without Grease fitting
- Color RAL 5009
- Painting plan 222P
- Mounting NEMA F-1
- Mounting B3R(D)



ECM	LOC	SUMMARY OF MODIFICATIONS	HYBRISUSER						00
EXECUTED	HYBRISUSER		EXECUTED	CHECKED	RELEASED	DATE	VER		
CHECKED		THREE PH. MOTOR EXPLOSION PROOF NEMA PREM. EFF. FRAME 256T IP55 TEFC	PREVIEW		WDD		00		
RELEASED			SHEET		1 / 1				
REL. DATE		WMO Jaragua do Sul	Product Engineering						