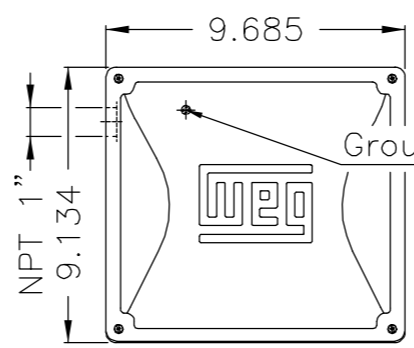


EIXO/SHAFT	
PADRÃO/STANDARD	
OPCIONAL/OPTIONAL	
ESPECIAL/SPECIAL	X

Dimensões em polegada  
Dimensions in inches

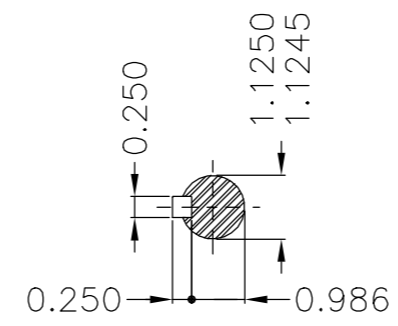
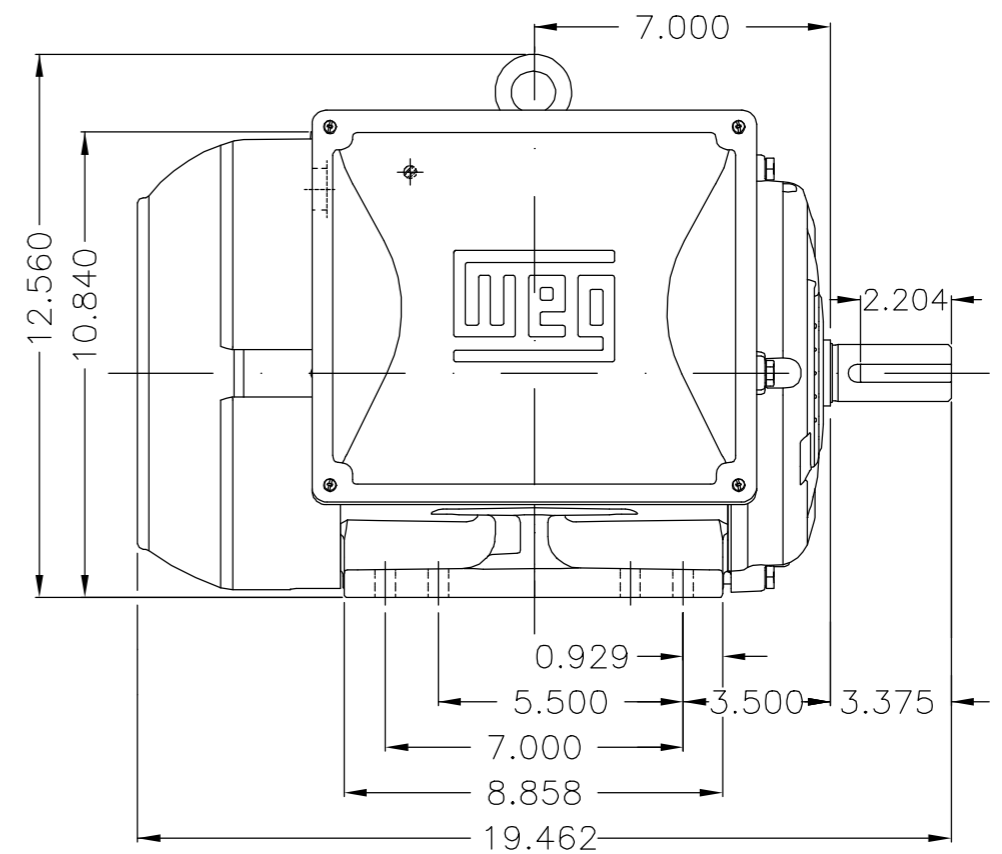
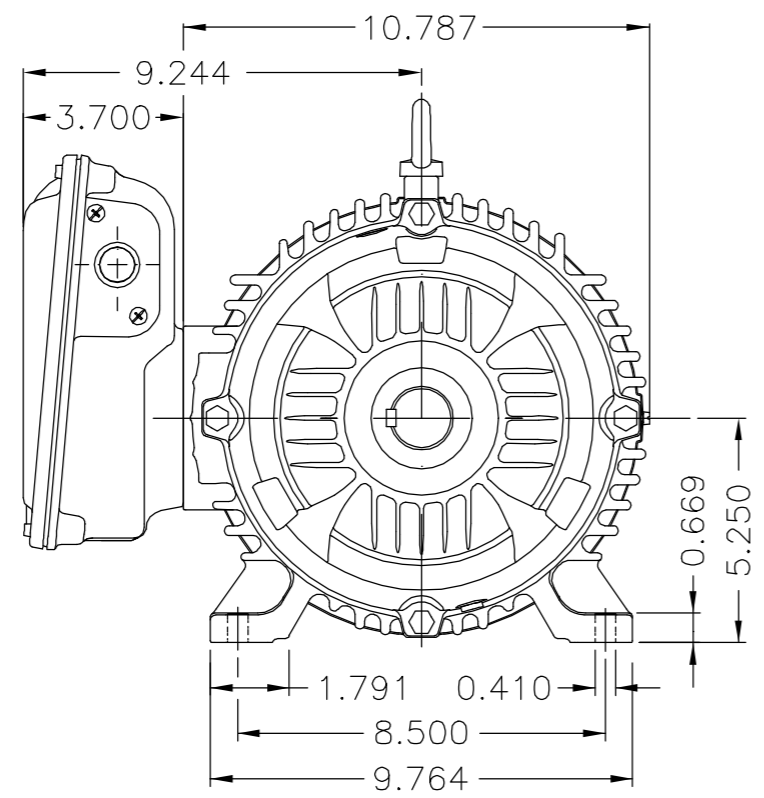
**CERTIFIED WEG MOTORES**  
Certified document.  
Not subject to changes.

THIS IS AN UPDATED REVISION, THE PREVIOUS ONE MUST BE DISREGARDED.

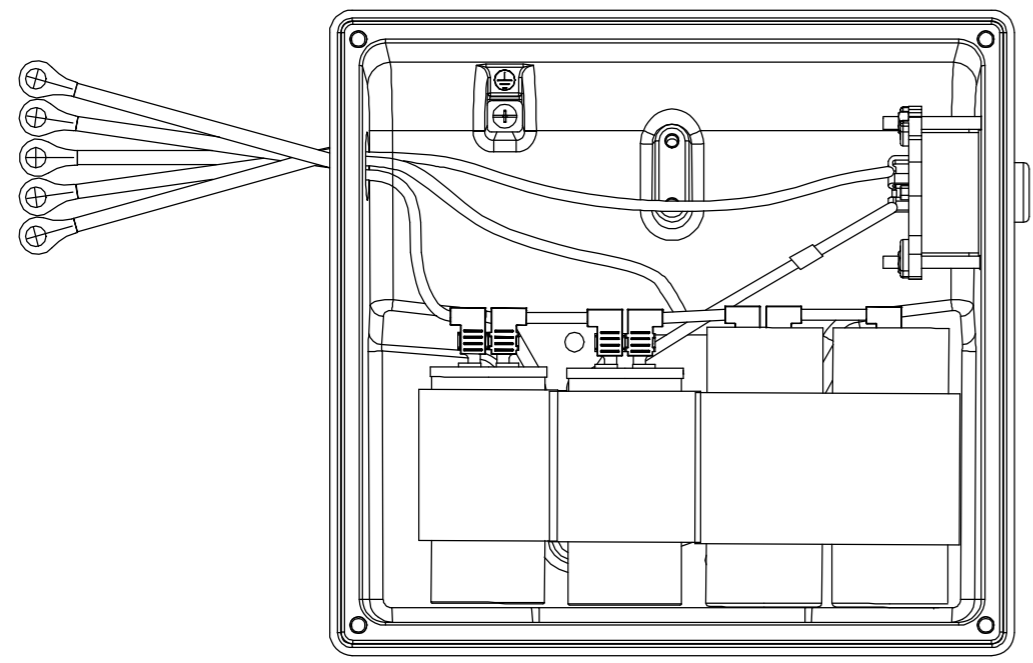


Grounding for leads 2-10 mm<sup>2</sup> / 14-7 AWG

Main terminal box



DE Shaft End



Forma construtiva NEMA F-1 / Mounting NEMA F-1

Forma construtiva B3D / Mounting B3R(D)

**WEG ELECTRIC CORPORATION - WEC**

500001523935		ADICIONADO NOTA FORMA CONSTRUTIVA NEMA	SANDRESSA	TIAGOZ	TIAGOZ	08.11.2018	01
500001523225		DOCUMENTO NOVO	SANDRESSA	TIAGOZ	TIAGOZ	07.11.2018	00
ECM	LOC	SUMMARY OF MODIFICATIONS	EXECUTED	CHECKED	RELEASED	DATE	VER
EXECUTED	SANDRESSA	SINGLE PHASE MOTOR W22 FARM DUTY NEMA FRAME 213/5TZ IP55 TEFC	10006171684				
CHECKED	TIAGOZ		000	01			
RELEASED	TIAGOZ						
REL DT	07.11.2018	WMO Jaragua do Sul	Product Engineering	SHEET	1 / 2		

7.5 HP 04 Poles 60Hz 415249603

A

UNCONTROLLED COPY

RELEASED

ZME A3