

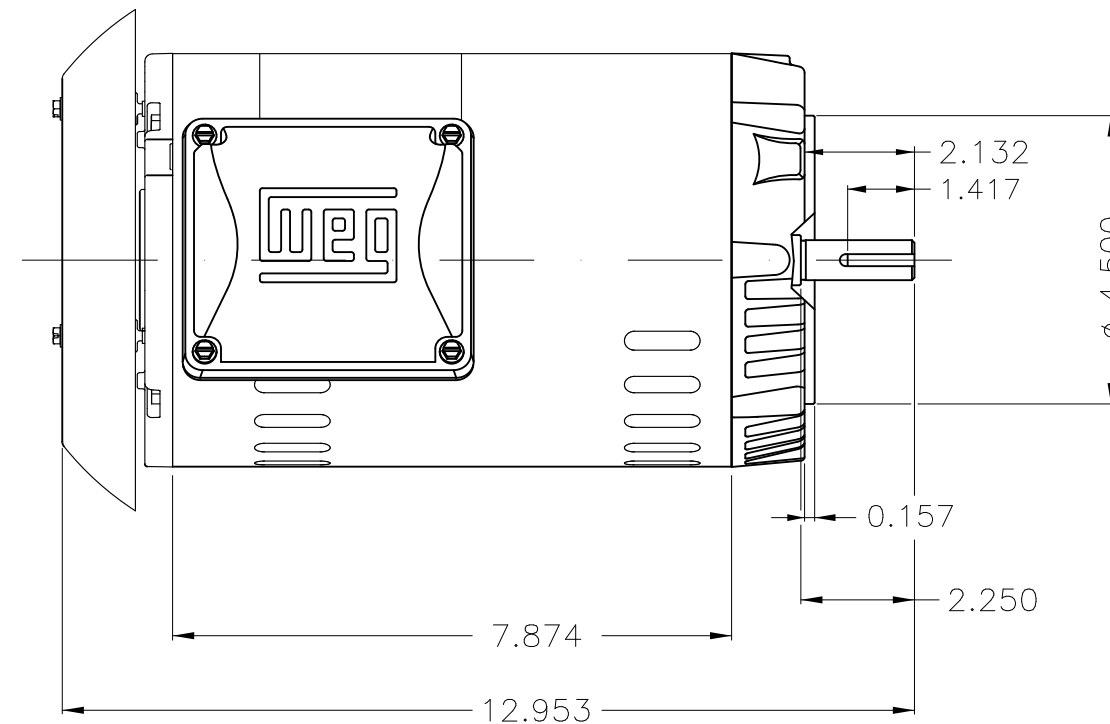
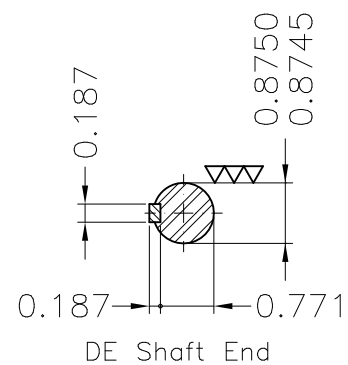
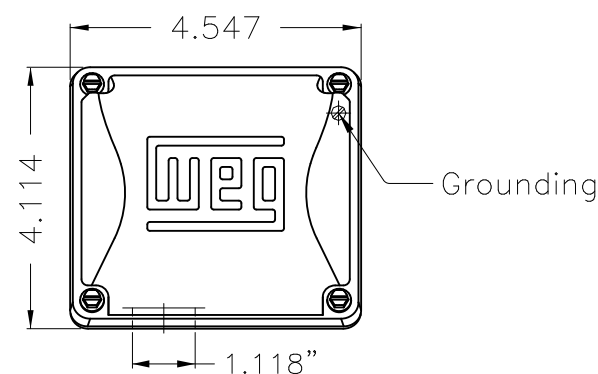
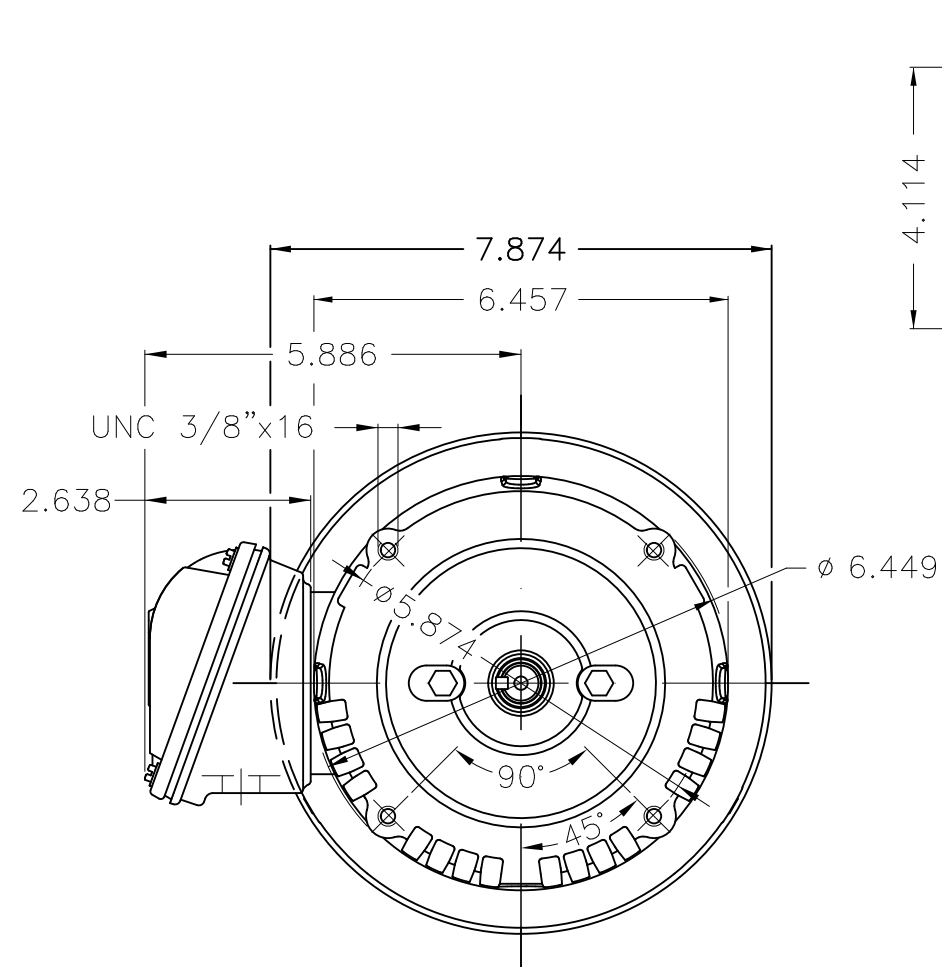
A

B

C

D

E



Color Munsell N 1 matte black					
Painting plan 207N					
Mounting F-1/B14R(D)					
HYBRISUSER					00
ECM	LOC	SUMMARY OF MODIFICATIONS	EXECUTED	CHECKED	RELEASED
EXECUTED	HYBRISUSER	THREE PH. MOTOR ROLLED STEEL NEMA PREM. EFF. FRAME 143/5TC IP21 ODP		PREVIEW	
CHECKED				WDD 00	
RELEASED				SHEET 1 / 1	
REL. DATE	WMO	Jaragua do Sul	Product Engineering		

1.5 HP 02 Poles 60 Hz

A

WMO

Jaragua do Sul

Product Engineering

SHEET 1 / 1

