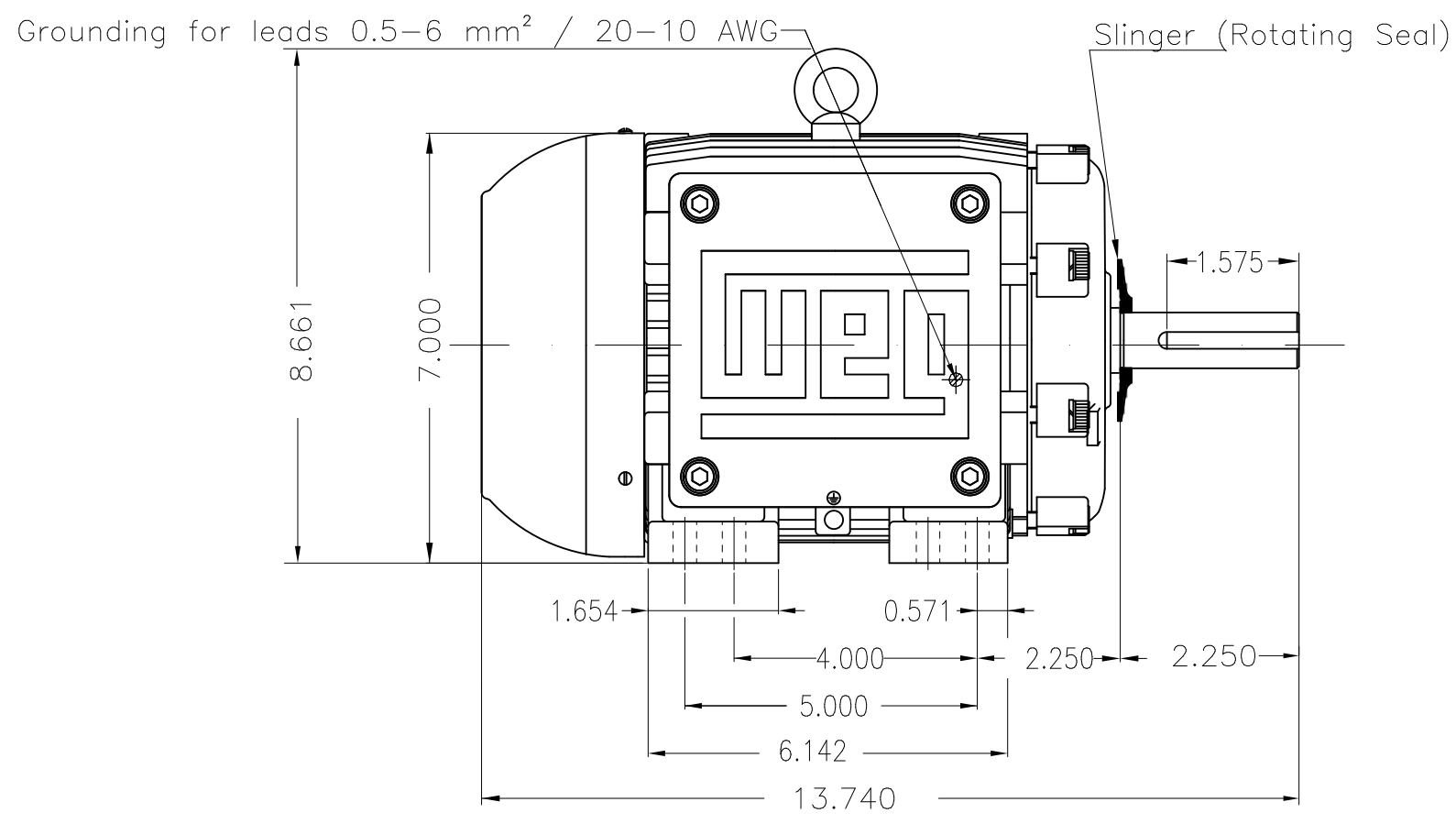
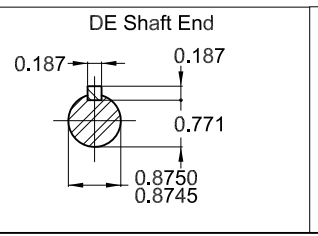


Color RAL 5009
 Painting plan 202P
 Mounting NEMA F-1
 Mounting B3R(D)



2 HP 02 Poles 60 Hz A

						HYBRISUSER								00	
ECM	LOC	SUMMARY OF MODIFICATIONS				EXECUTED	CHECKED	RELEASED	DATE	VER					
EXECUTED	HYBRISUSER	THREE PH. MOTOR EXPLOSION PROOF NEMA PREM. EFF.		FRAME 143/5T IP55 TEFC		PREVIEW		WDD		00					
CHECKED												SHEET 1 / 1			
RELEASED															
REL. DATE		WMO Jaragua do Sul		Product Engineering											