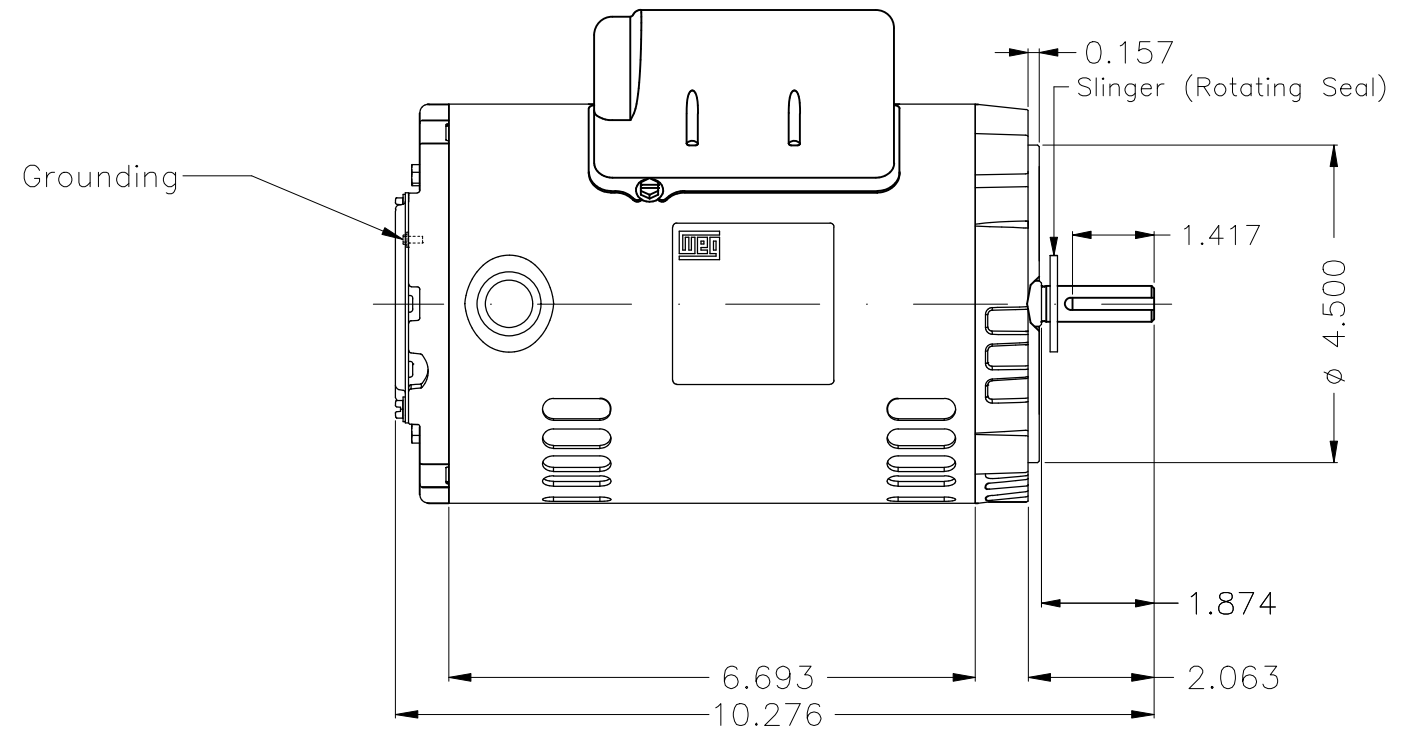
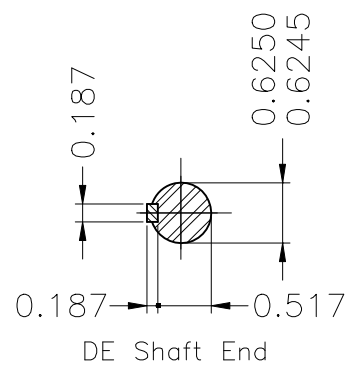
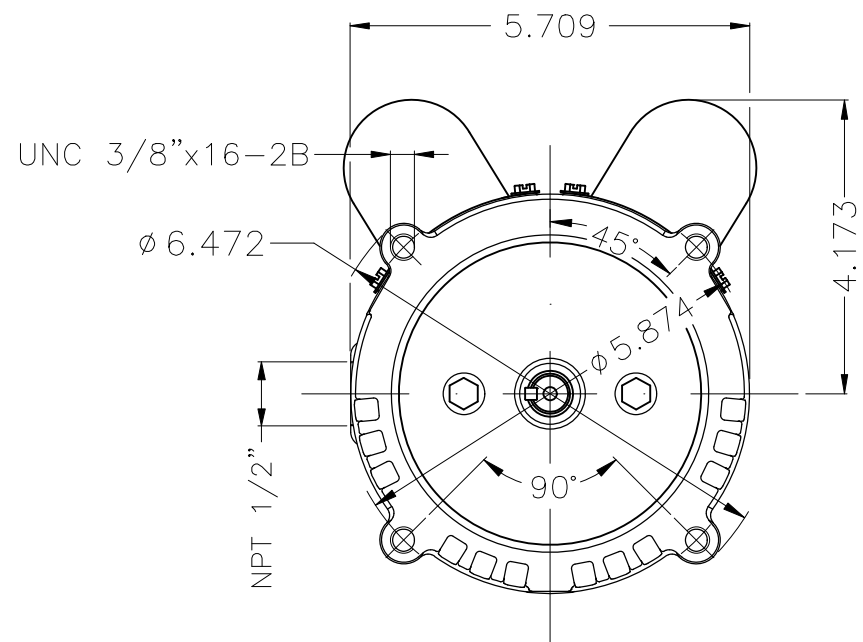


1 2 3 4 5 6

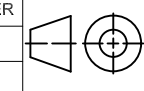
A  
B  
C  
D  
E



Color Munsell N 1 matte black						
Painting plan 207N						
Mounting F-1/B14R(D)						
					HYBRISUSER	00
ECM	LOC	SUMMARY OF MODIFICATIONS			EXECUTED	CHECKED
EXECUTED	HYBRISUSER	SINGLE PH. MOTOR ROLLED STEEL JET PUMP KEYED PREM. EFF.				
CHECKED		FRAME W56C IP21 ODP				
RELEASED						
REL. DATE		WMO	Jaragua do Sul	Product Engineering	SHEET	1 / 1

0.5 HP 02 Poles 60 Hz

A



PREVIEW  
WDD 00



Dimensions in inches XME A3