

1 2 3 4 5 6

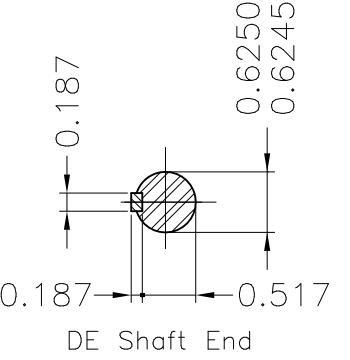
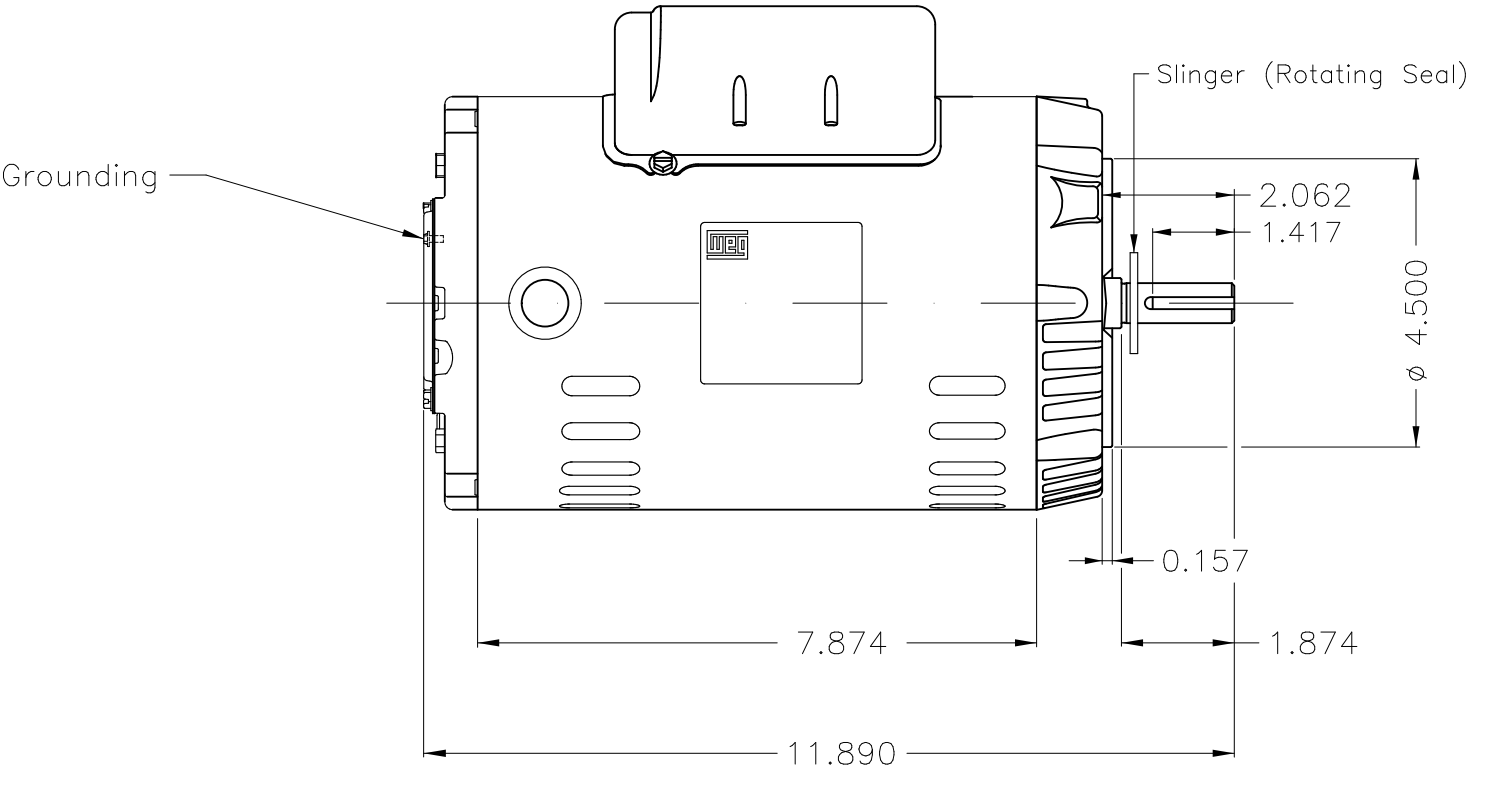
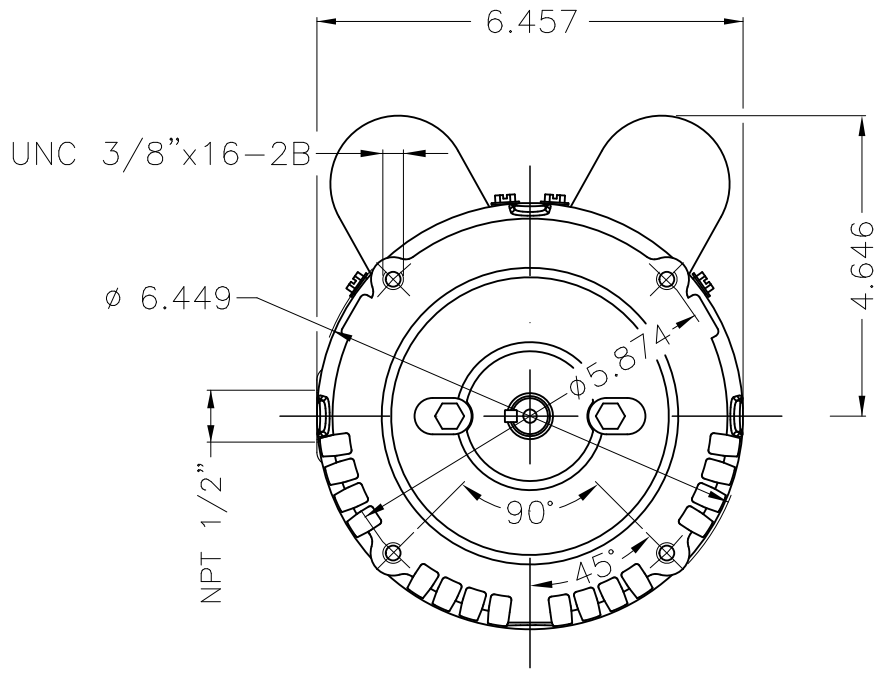
A

B

C

D

E



Dimensions in inches

Color Munsell N 1 matte black									
Painting plan 207N									
Mounting F-1/B14R(D)									
						HYBRISUSER			
						00			
ECM	LOC	SUMMARY OF MODIFICATIONS			EXECUTED	CHECKED	RELEASED	DATE	VER
EXECUTED	HYBRISUSER	SINGLE PH. MOTOR ROLLED STEEL JET PUMP KEYED PREM 555							
CHECKED		FRAME 56C IP21 ODP							
RELEASED									
REL. DATE		WMO	Jaragua do Sul	Product Engineering	PREVIEW		WDD	00	
					SHEET		1 / 1		

1 HP 02 Poles 60 Hz

A

