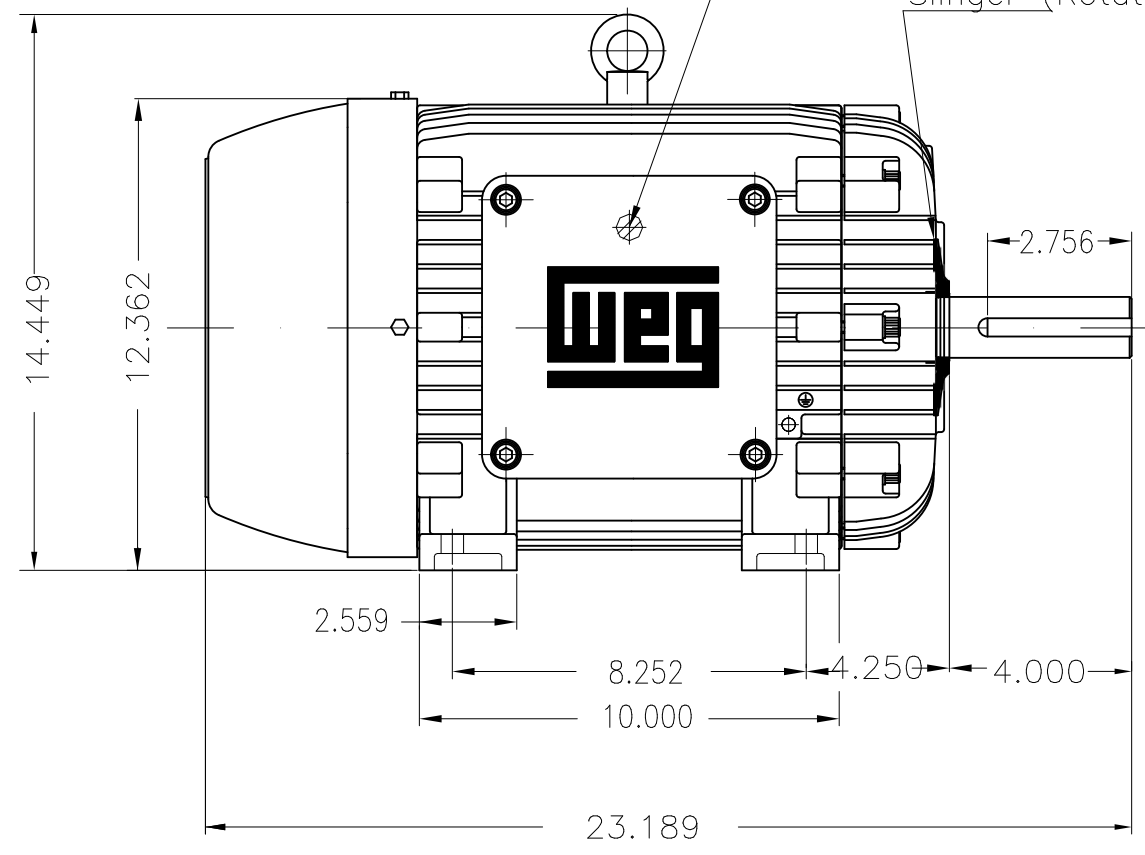
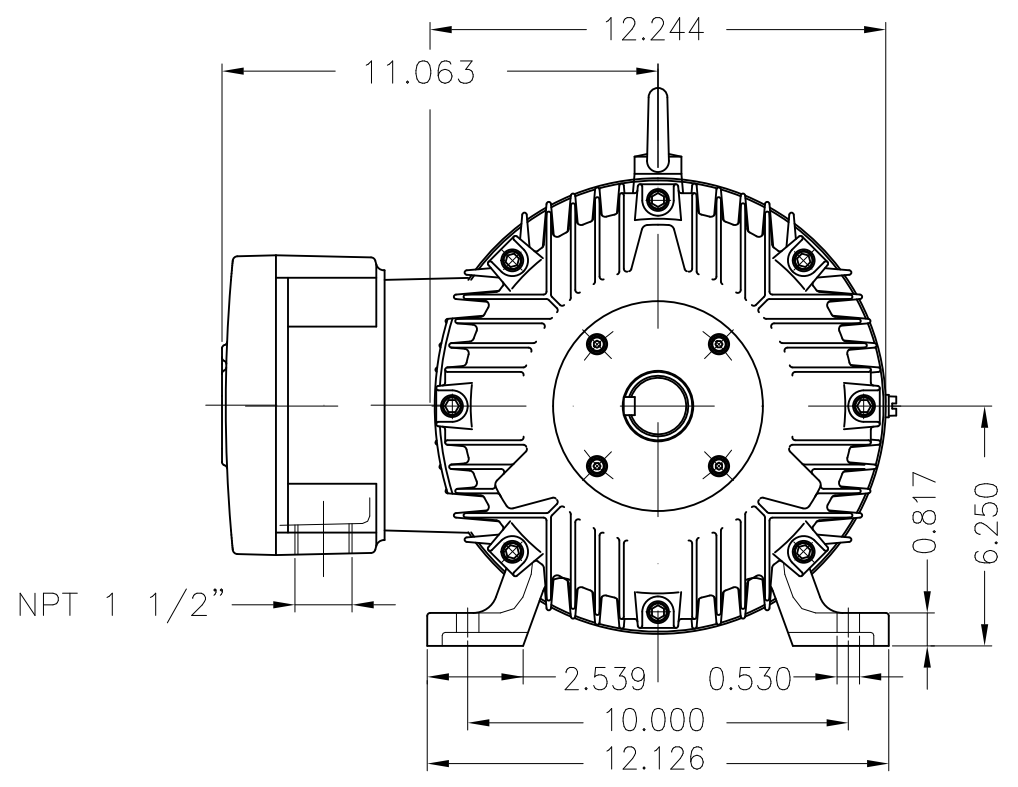


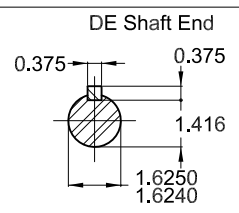
Grounding for leads 5.2–25 mm² / 10–4 AWG

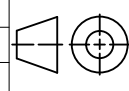
Slinger (Rotating Seal)



5 HP 08 Poles 60 Hz A

Color RAL 5009
 Painting plan 222P
 Mounting NEMA F-1
 Mounting B3R(D)



ECM	LOC	 THREE PH. MOTOR EXPLOSION PROOF NEMA PREM. EFF. FRAME 254T IP55 TEFC	HYBRISUSER						00
EXECUTED	HYBRISUSER		EXECUTED	CHECKED	RELEASED	DATE	VER		
CHECKED									
RELEASED									
REL. DATE		WMO Jaragua do Sul	Product Engineering						

PREVIEW
 WDD 00
 SHEET 1 / 1

