

1

2

3

4

5

6

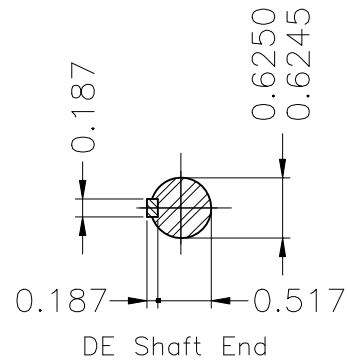
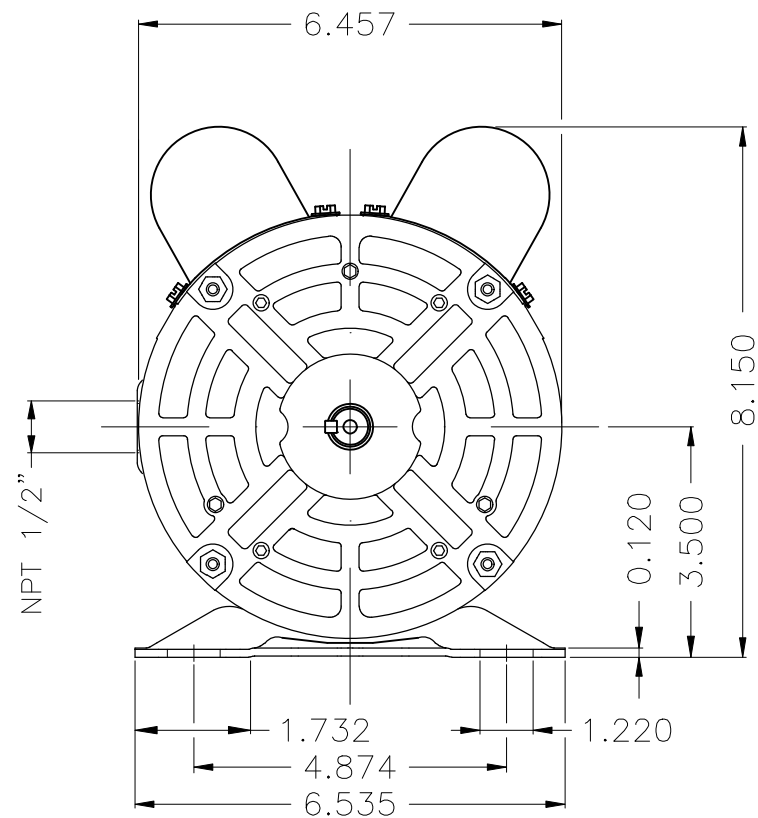
A

B

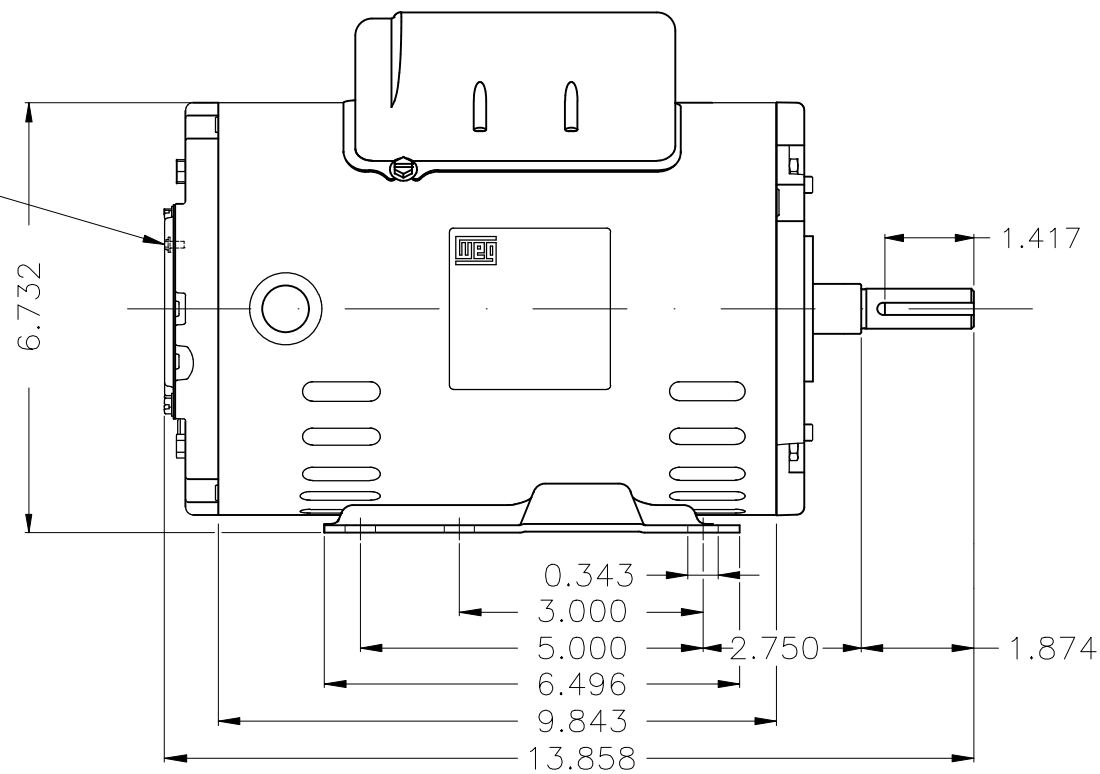
C

D

E



Grounding



Color Munsell N 1 matte black  
 Painting plan 207N  
 Mounting F-1/B3R(D)

ECM	LOC	SUMMARY OF MODIFICATIONS	EXECUTED	CHECKED	RELEASED	DATE	VER
EXECUTED	HYBRISUSER	SINGLE PH. MOTOR ROLLED STEEL PREM. EFF. FRAME 56H IP21 ODP					
CHECKED							
RELEASED							
REL. DATE	WMO	Jaragua do Sul	Product Engineering				

PREVIEW

WDD 00

SHEET 1 / 1



3 HP 02 Poles 60 Hz

A

WEG's property. Forbidden reproduction without previous authorization.

Dimensions in inches

XME A3