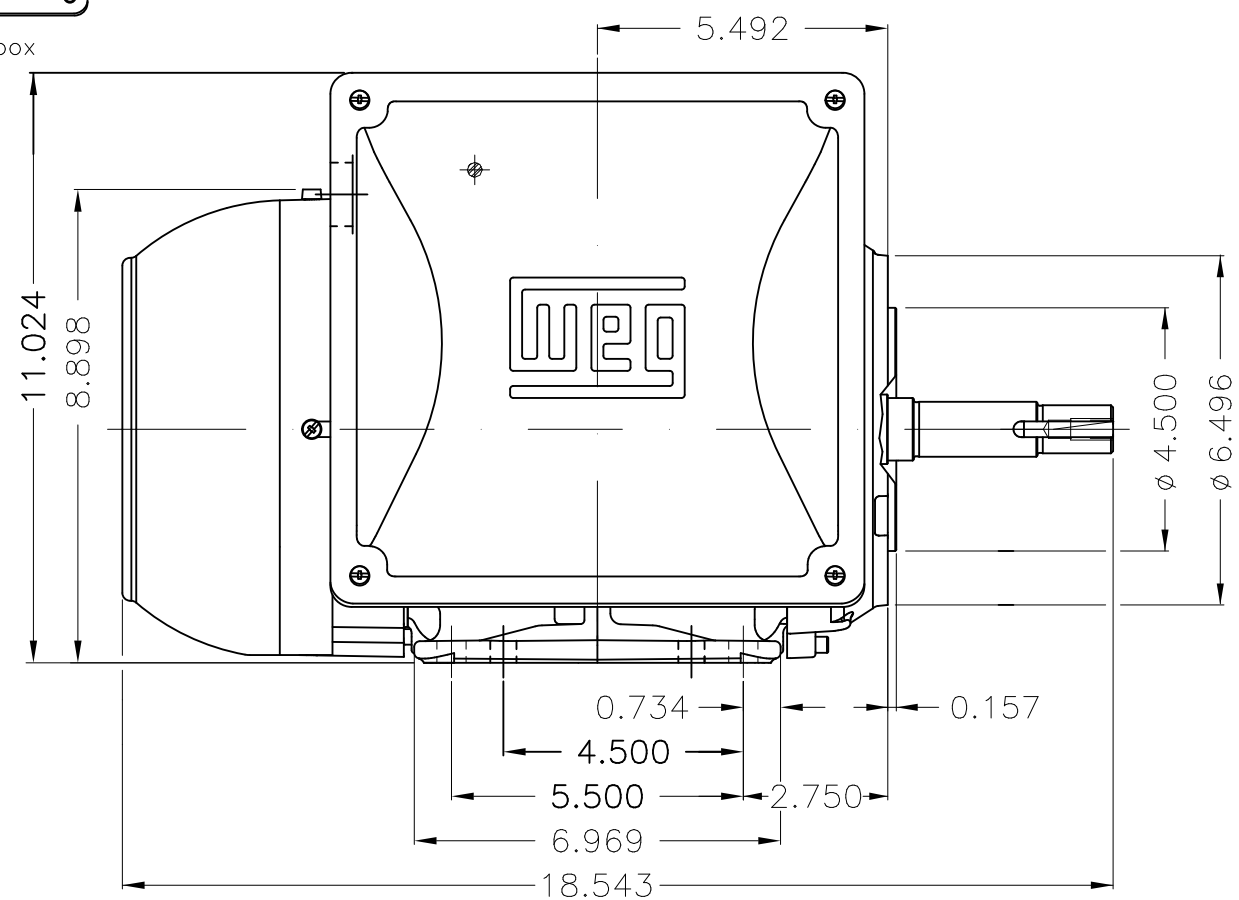
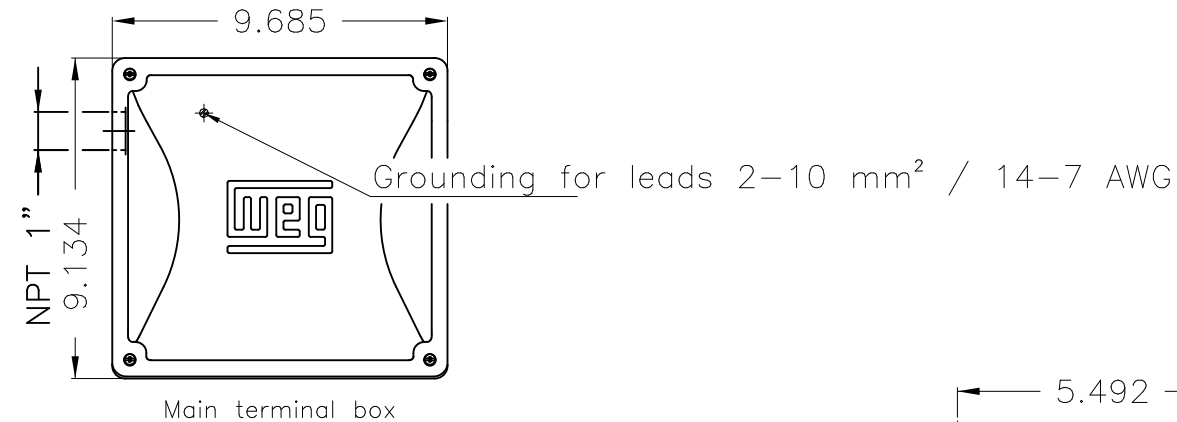
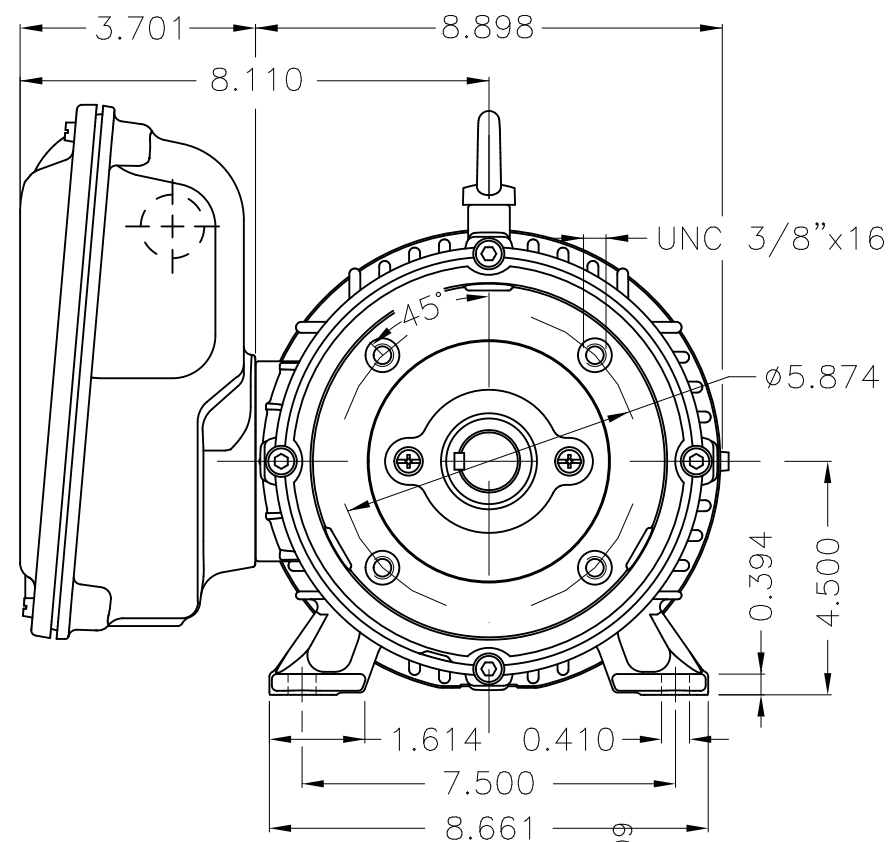
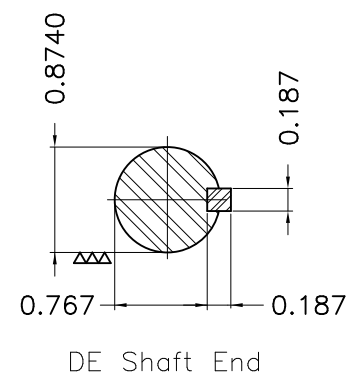
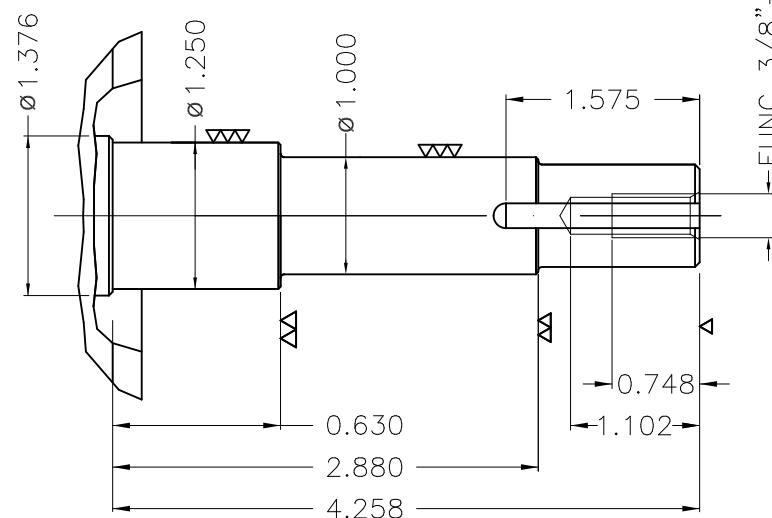


1 2 3 4 5 6

A  
B  
C  
D  
E



Center hole  
EUNC 3/8"-16 WEG WPR-7309



5 HP 04 Poles 60 Hz

Mounting NEMA F-1									
Mounting B34R(D)									
ECM	LOC	SUMMARY OF MODIFICATIONS				HYBRISUSER			00
EXECUTED	HYBRISUSER	SINGLE PH. MOTOR W22 CLOSE COUPLED PUMP JM TYPE				EXECUTED	CHECKED	RELEASED	DATE
CHECKED		FRAME 182/4JM IP55 TEFC				PREVIEW			
RELEASED						WDD 00			
REL. DATE		WMO	Jaragua do Sul	Product Engineering	SHEET		1 / 1		

Dimensions in inches XME A3