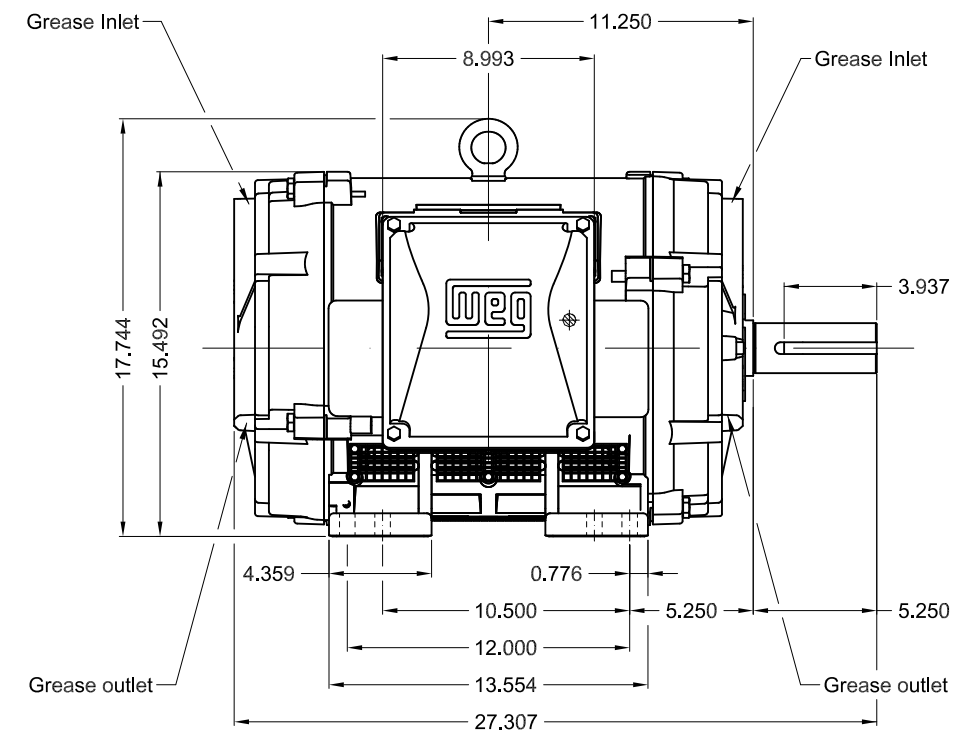
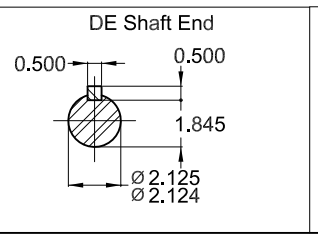


Color RAL 5009
 Painting plan 203A
 Mounting NEMA F-1
 Mounting B3R(D)



50 HP 04 Poles 60 Hz										A	
										1:8	
										00	
ECM	LOC	SUMMARY OF MODIFICATIONS				HYBRISUSER	EXECUTED	CHECKED	RELEASED	DATE	VER
EXECUTED	HYBRISUSER	THREE PH. MOTOR W40 NEMA PREM. EFF.				EXECUTED					
CHECKED		FRAME 324/6T IP23 ODP				EXECUTED					
RELEASED						EXECUTED					
REL. DATE		WMO Jaragua do Sul				Product Engineering		SHEET 1 / 1		PREVIEW WDD 00	

