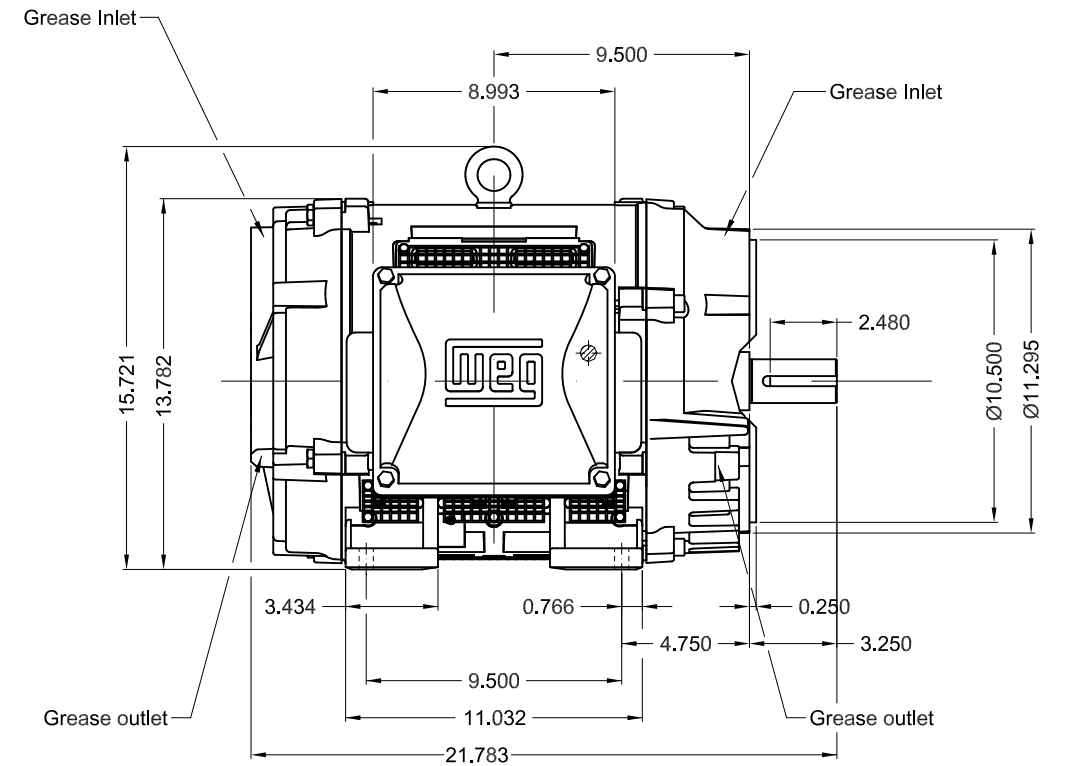


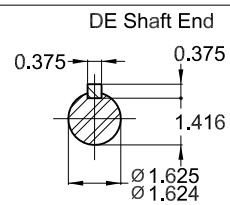
Grounding for leads 5.2-35 mm² / 10-2 AWG
Main terminal box
NPT 1 1/2"



30 HP 02 Poles 60 Hz A

1:7

- Bearing cap
- Color RAL 5009
- Painting plan 203A
- Mounting NEMA F-1
- Mounting B34R(D)



| ECM | LOC | SUMMARY OF MODIFICATIONS | EXECUTED | CHECKED | RELEASED | DATE | VER |
|-----------|------------|-------------------------------------|---------------------|---------|----------|------|-----|
| EXECUTED | HYBRISUSER | THREE PH. MOTOR W40 NEMA PREM. EFF. | | | | | |
| CHECKED | | FRAME 284TSC IP23 ODP | | | | | |
| RELEASED | | | | | | | |
| REL. DATE | | WMO Jaragua do Sul | Product Engineering | | | | |

PREVIEW

WDD 00

SHEET 1 / 1

