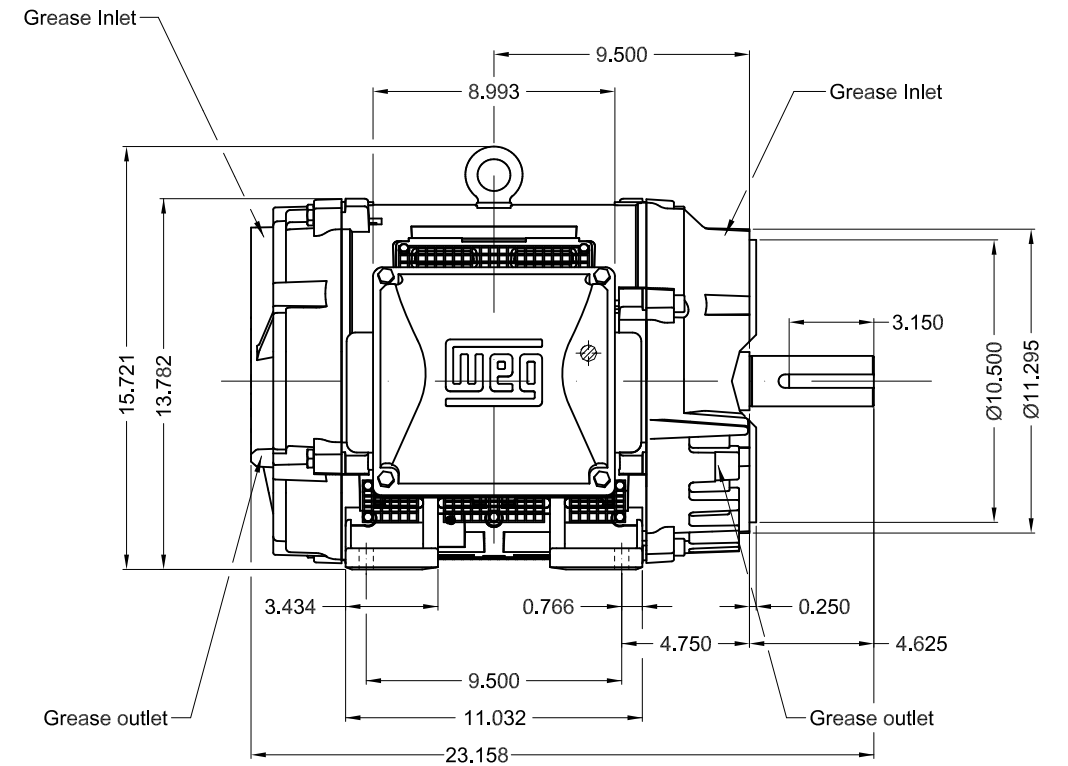


Grounding for leads 5.2-35 mm² / 10-2 AWG
Main terminal box
NPT 1 1/2"

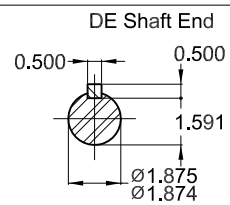


25 HP 04 Poles 60 Hz

A

1:7

- Bearing cap
- Color RAL 5009
- Painting plan 203A
- Mounting NEMA F-1
- Mounting B34R(D)



ECM		LOC	SUMMARY OF MODIFICATIONS		HYBRISUSER	EXECUTED	CHECKED	RELEASED	DATE	VER
EXECUTED	HYBRISUSER		THREE PH. MOTOR W40 NEMA PREM. EFF.							00
CHECKED			FRAME 284TC IP23 ODP							
RELEASED										
REL. DATE			WMO	Jaragua do Sul	Product Engineering					

PREVIEW

WDD 00

SHEET 1 / 1

