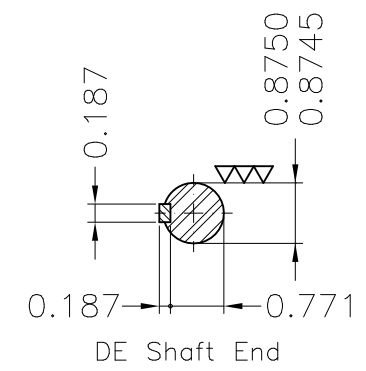
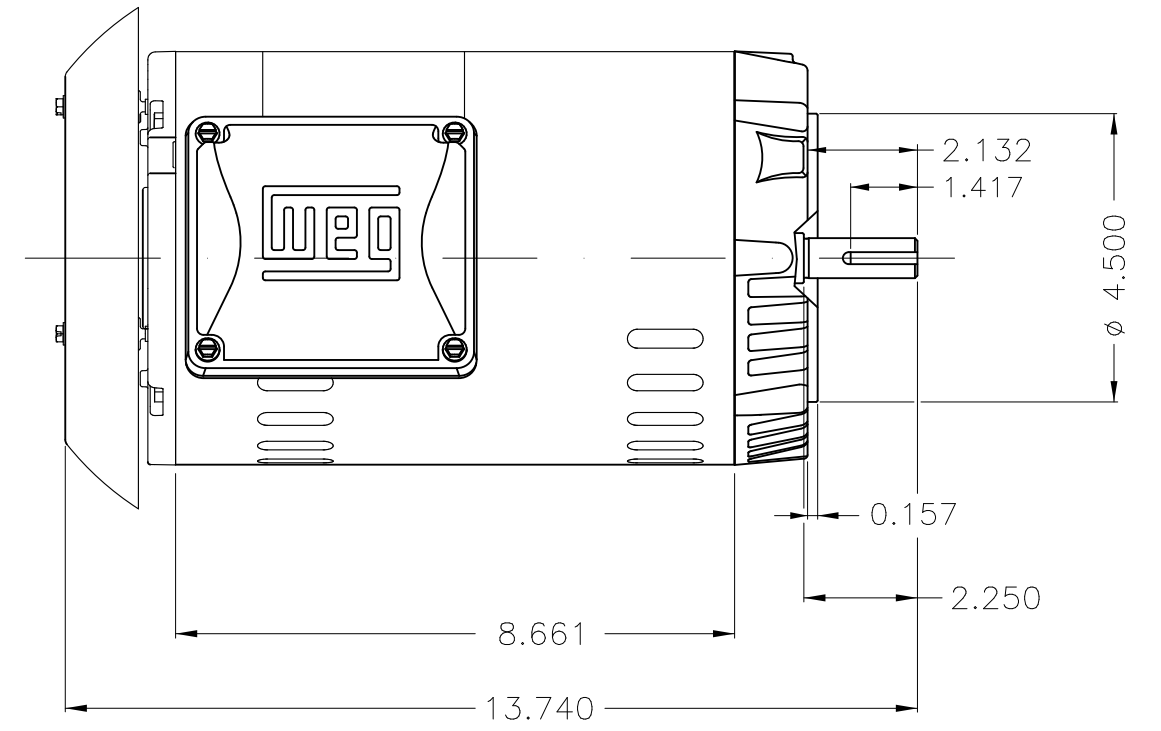
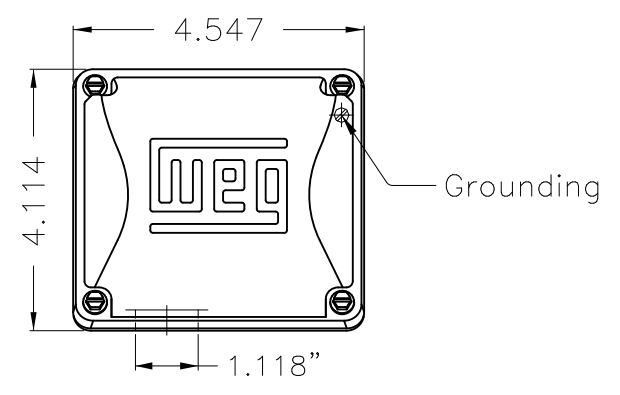
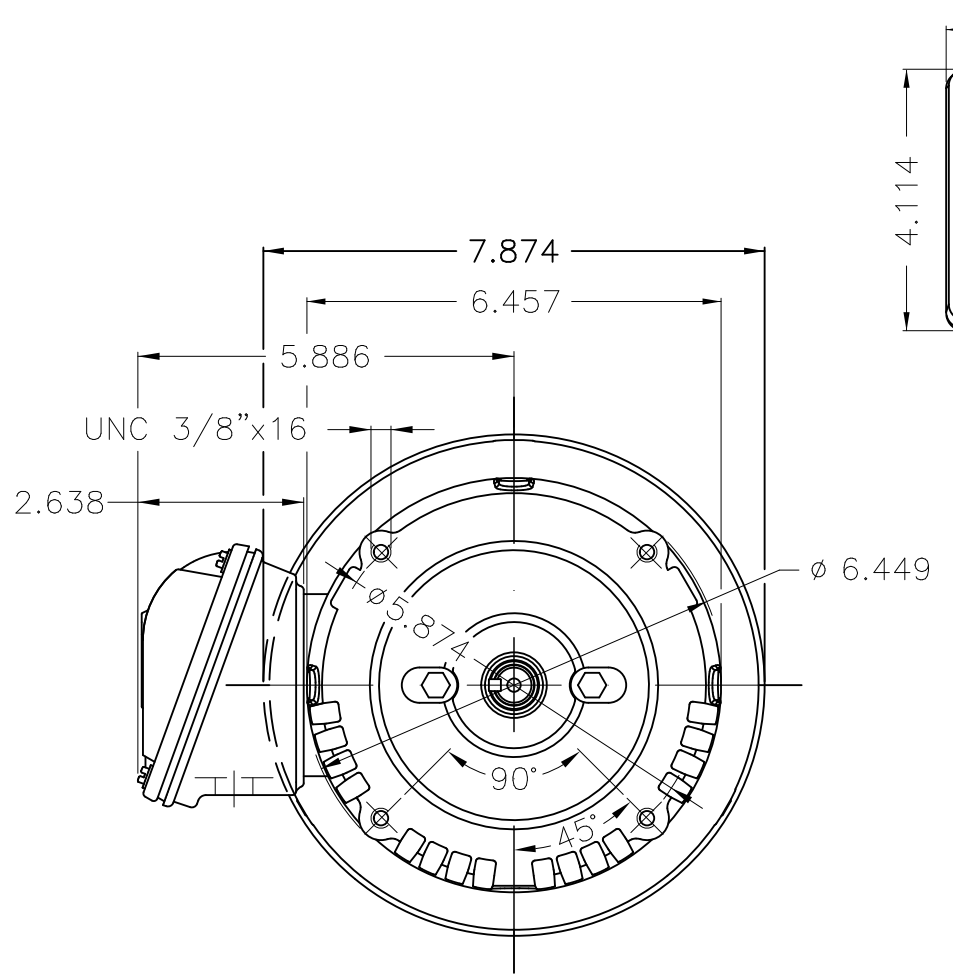


1 2 3 4 5 6

A
B
C
D
E



Color Munsell N 1 matte black						
Painting plan 207N						
Mounting F-1/B14R(D)						
					HYBRISUSER	00
ECM	LOC	SUMMARY OF MODIFICATIONS		EXECUTED	CHECKED	RELEASED DATE VER
EXECUTED	HYBRISUSER	THREE PH. MOTOR ROLLED STEEL NEMA PREM. EFF.				
CHECKED		FRAME 143/5TC IP21 ODP				
RELEASED						
REL. DATE		WMO	Jaragua do Sul	Product Engineering		

2 HP 04 Poles 60 Hz

A WDD 00 SHEET 1 / 1

