

1 2 3 4 5 6

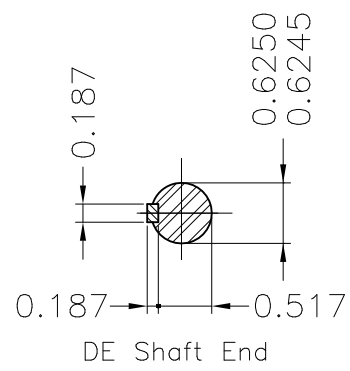
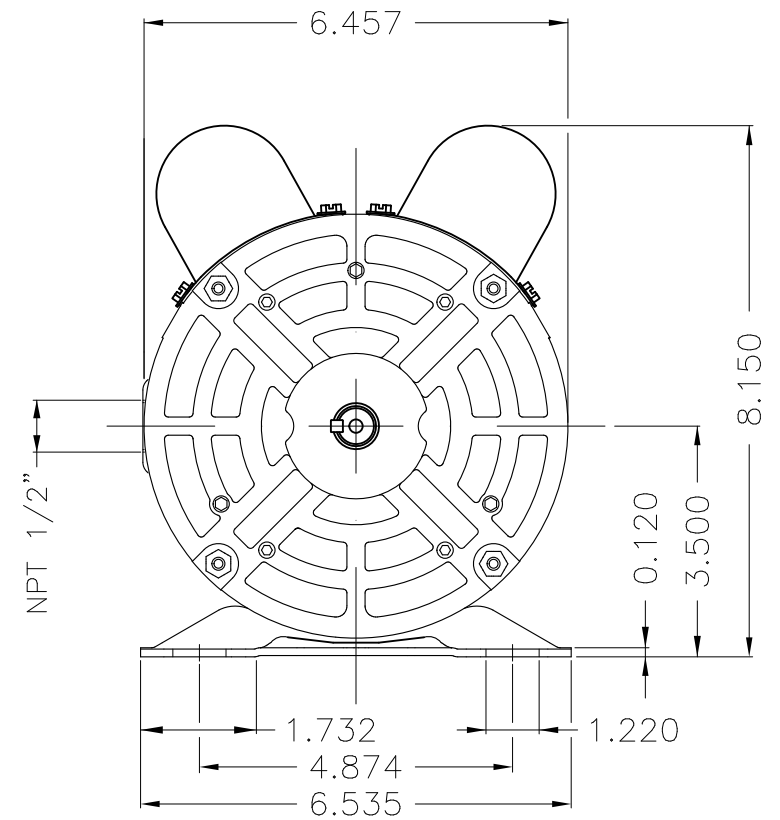
A

B

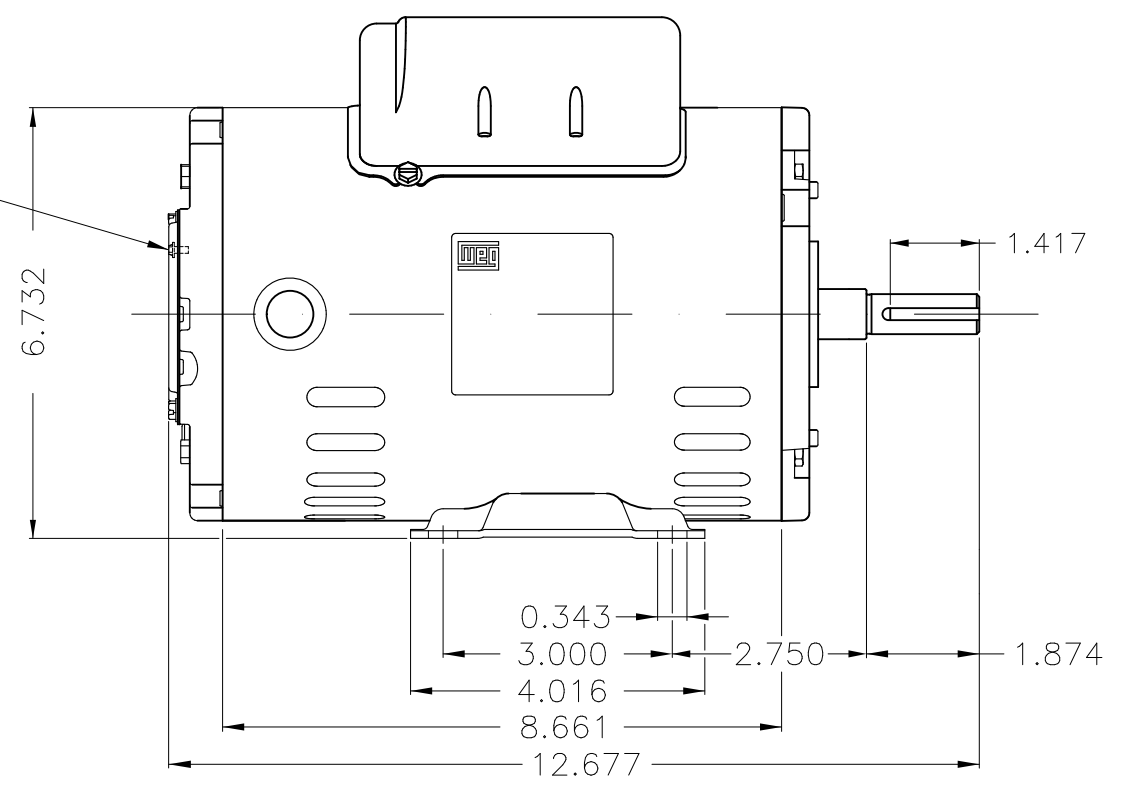
C

D

E



Grounding



| Mounting F-1/B3R(D) | | | | | | | | | |
|---------------------|------------|--|----------------|---------------------|----------|---------|----------|------|-----|
| ECM | LOC | SUMMARY OF MODIFICATIONS | | | EXECUTED | CHECKED | RELEASED | DATE | VER |
| EXECUTED | HYBRISUSER | SINGLE PH. MOTOR ROLLED STEEL PREM. EFF. | | | | | | | 00 |
| CHECKED | | FRAME 56 IP21 ODP | | | | | | | |
| RELEASED | | | | | | | | | |
| REL. DATE | | WMO | Jaragua do Sul | Product Engineering | | | | | |

1 HP 04 Poles 60 Hz

A PREVIEW WDD 00 SHEET 1 / 1

