

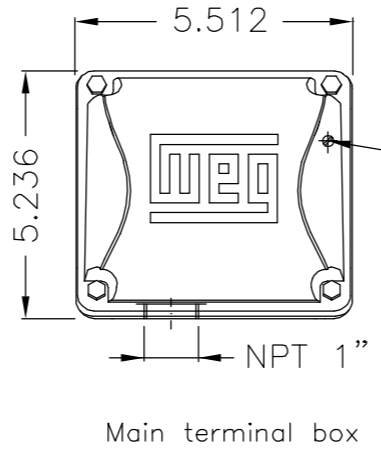
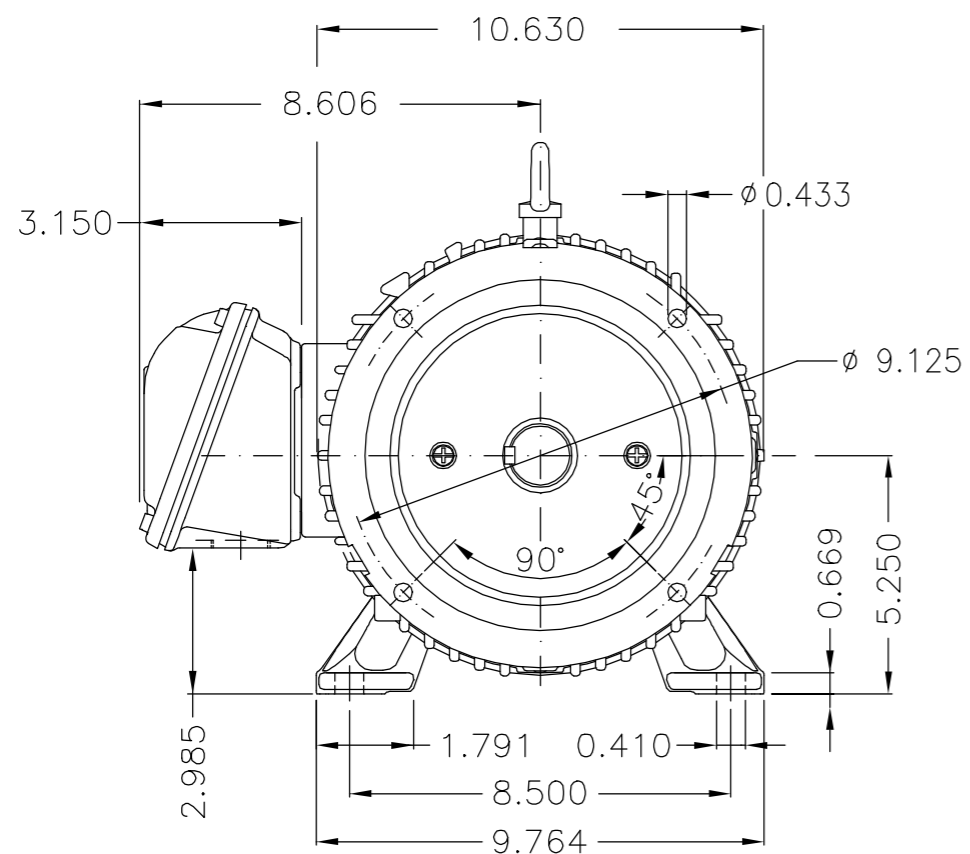
EIXO/SHAFT	
PADRÃO/STANDARD	X
OPCIONAL/OPTIONAL	
ESPECIAL/SPECIAL	

Dimensões em polegada
Dimensions in inches

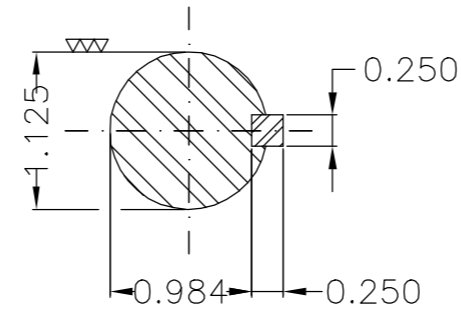
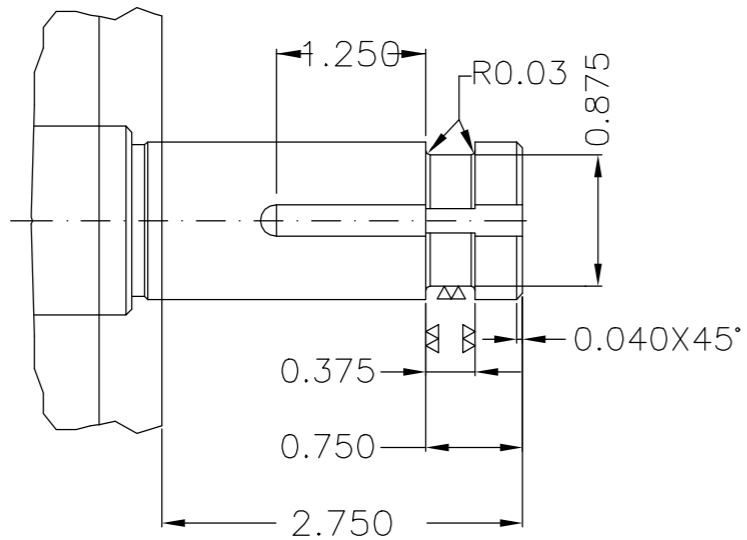
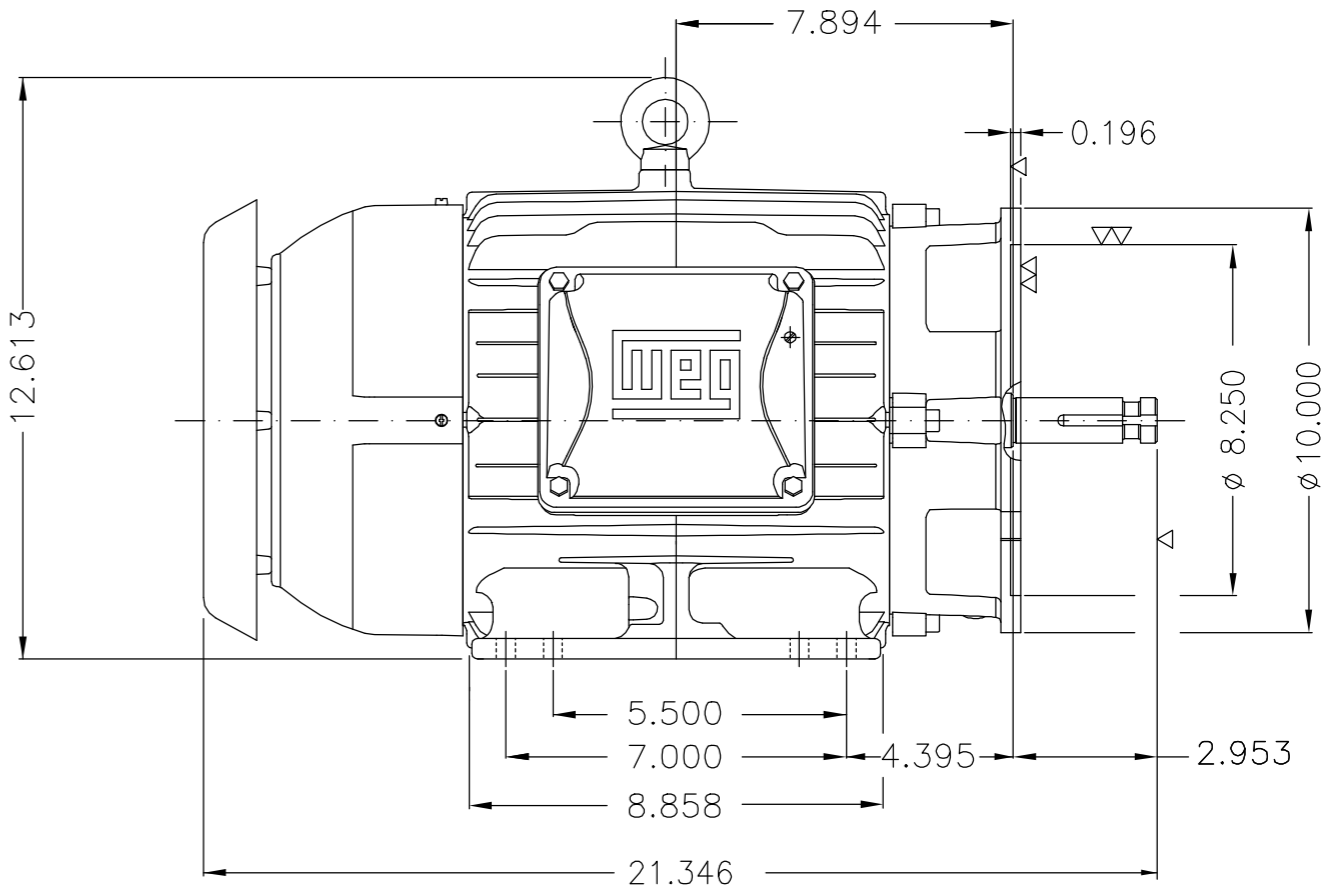
CERTIFIED WEG MOTORES
Certified document.
Not subject to changes.

THIS IS AN UPDATED REVISION, THE PREVIOUS ONE MUST BE DISREGARDED.

A
B
C
D
E



Grounding for leads 2-10 mm² / 14-7 AWG



Cor RAL 5009 / Color RAL 5009
Plano de pintura 207A / Painting plan 207A
Forma construtiva NEMA W-6 / Mounting NEMA W-6
Forma construtiva V15 / Mounting V15
V.J. PAMENSKY CANADA INC.

500001454977	DOCUMENTO NOVO	NSCHMIDT	CLEITONGS	CLEITONGS	23.05.2018	00
ECM	LOC	RESUMO MODIFICAÇÃO	EXECUTADO	VERIFICADO	LIBERADO	DATA
ECM	LOC	SUMMARY OF MODIFICATIONS	EXECUTED	CHECKED	RELEASED	DATE
EXEC. /EXECUTED	NSCHMIDT	THREE PHASE W22 P-BASE MOTOR PREMIUM EFF	10005776952			
VERIF. /CHECKED	CLEITONGS	FRAME 213/5HP IP55 TEFC	000 00			
LIBER. /RELEASED	CLEITONGS	P. BASE				
DATA LB /REL DT	23.05.2018	WMO Jaragua do Sul	Product Engineering	FOLHA/SHEET	1 / 1	

7.5 HP 02 Poles 60Hz 415067907/0-MEC.

UNCONTROLLED COPY
RELEASED
ZME A3

