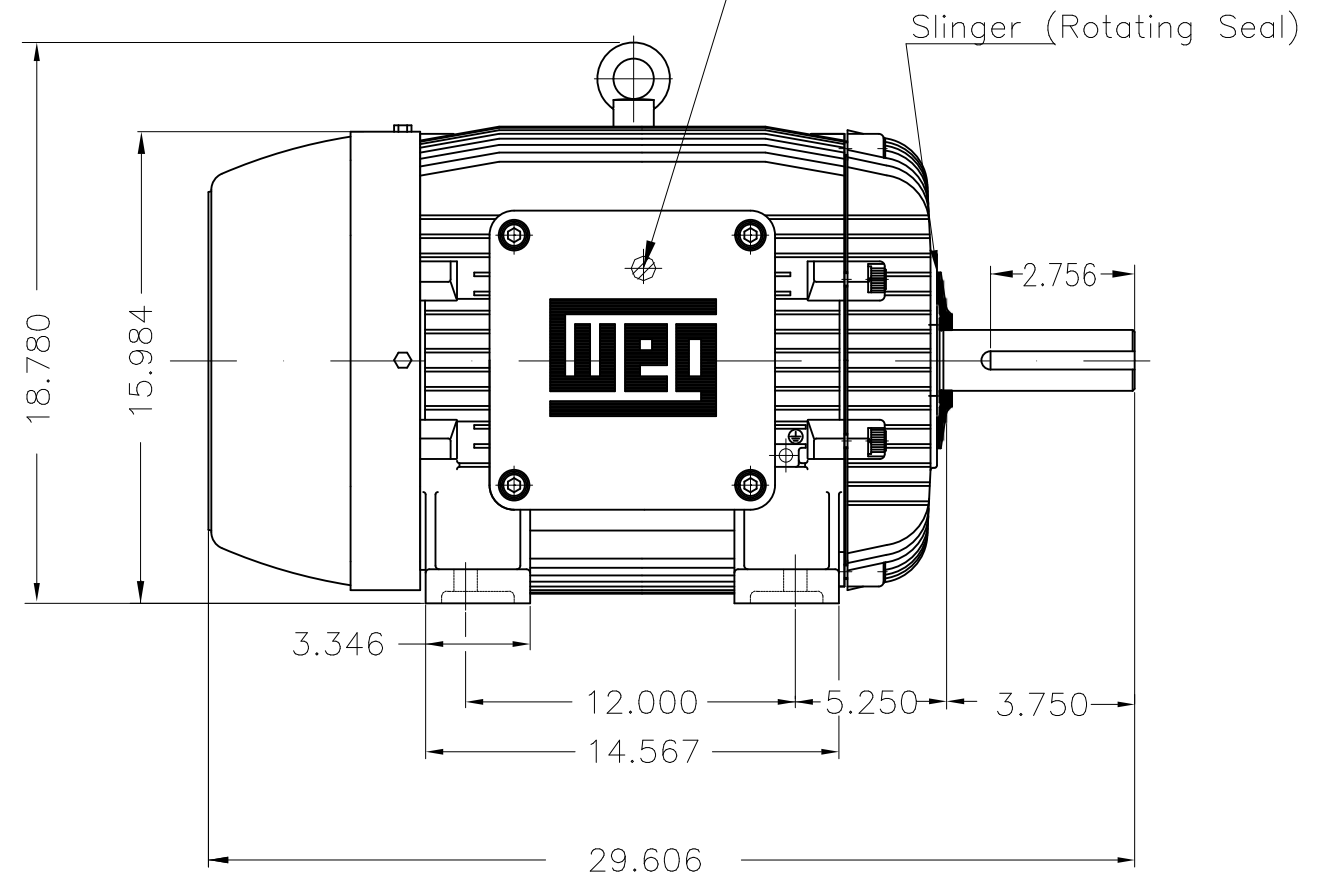
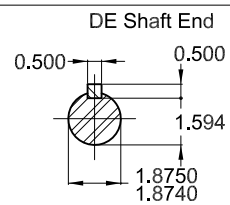


Grounding for leads 5.2–35 mm² / 10–2 AWG



Color RAL 5009
 Painting plan 222P
 Mounting NEMA F-1
 Mounting B3R(D)



50 HP 02 Poles 60 Hz

Dimensions in inches

ECM		LOC	SUMMARY OF MODIFICATIONS		HYBRISUSER					00	
EXECUTED	HYBRISUSER			THREE PH. MOTOR EXPLOSION PROOF NEMA PREM. EFF.	EXECUTED	CHECKED	RELEASED	DATE	VER		
CHECKED				FRAME 326TS IP55 TEFC							
RELEASED											
REL. DATE		WMO		Jaragua do Sul	Product Engineering						
					PREVIEW WDD 00						
					SHEET		1 / 1				