

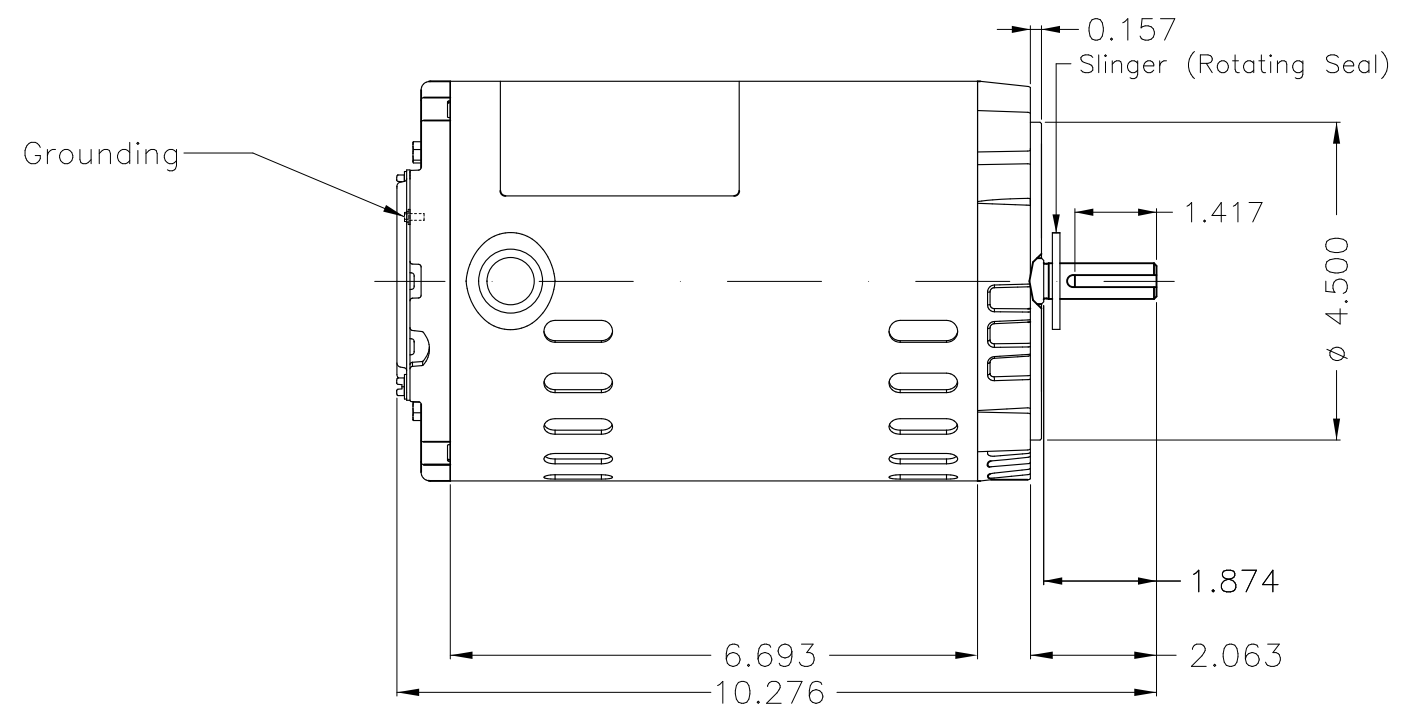
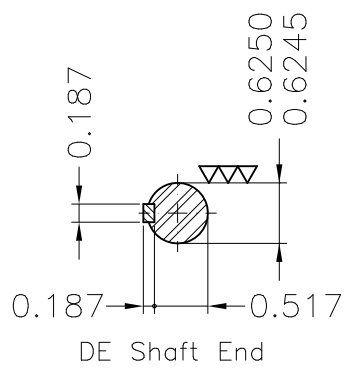
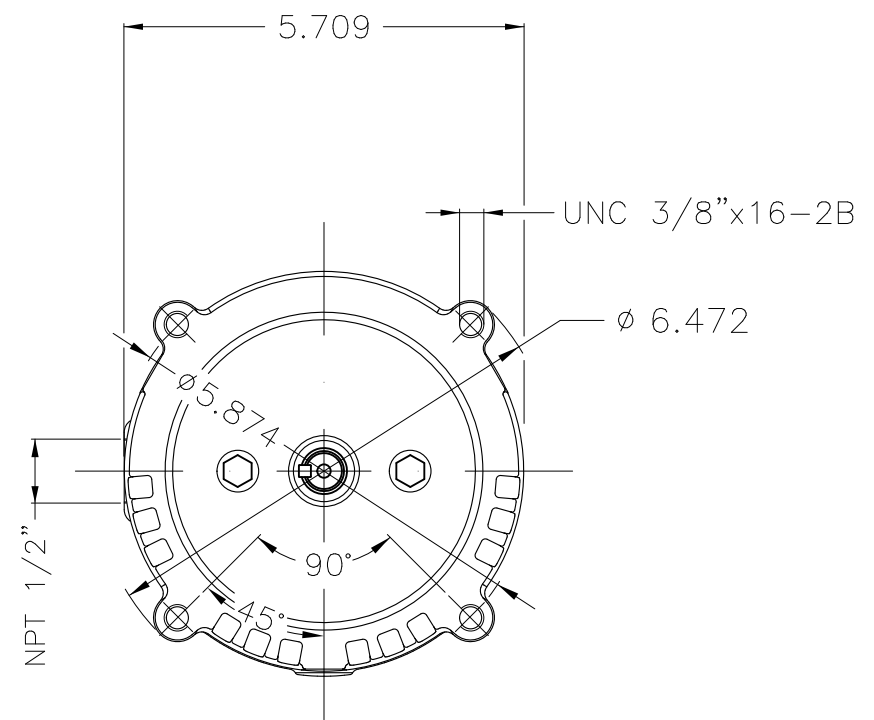
A

B

C

D

E



Color Munsell N 1 matte black						
Painting plan 207N						
Mounting F-1/B14R(D)						
					HYBRISUSER	00
ECM	LOC	SUMMARY OF MODIFICATIONS			EXECUTED	CHECKED
EXECUTED	HYBRISUSER	THREE PH. MOTOR ROLLED STEEL JET PUMP KEYED PREM 555			RELEASED	DATE
CHECKED		FRAME W56C IP21 ODP			VER	
RELEASED						
REL. DATE	WMO	Jaragua do Sul	Product Engineering	PREVIEW		
				WDD	00	
				SHEET	1 / 1	

0.75 HP 02 Poles 60 Hz

A

Dimensions in inches XME A3