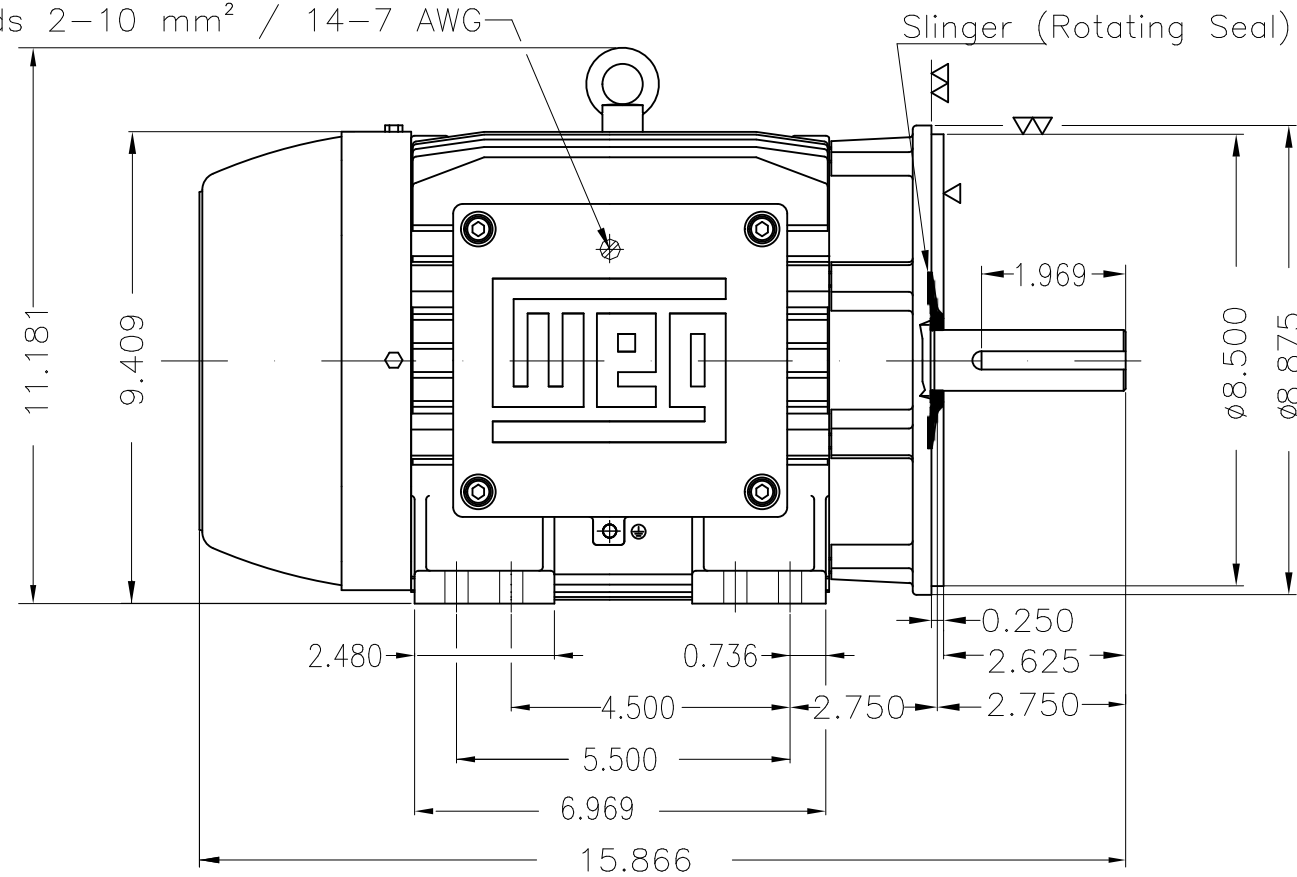
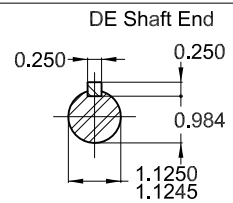


Grounding for leads 2-10 mm<sup>2</sup> / 14-7 AWG



Color RAL 5009  
 Painting plan 202P  
 Mounting NEMA F-1  
 Mounting B34R(D)



5 HP 02 Poles 60 Hz A

						HYBRISUSER								00	
ECM	LOC	SUMMARY OF MODIFICATIONS				EXECUTED	CHECKED	RELEASED	DATE	VER					
EXECUTED	HYBRISUSER	THREE PH. MOTOR EXPLOSION PROOF NEMA PREM. EFF.		FRAME 182/4TC IP55 TEFC		PREVIEW		WDD 00		SHEET 1 / 1					
CHECKED		WMO Jaragua do Sul		Product Engineering											
RELEASED															
REL. DATE															