

1 2 3 4 5 6

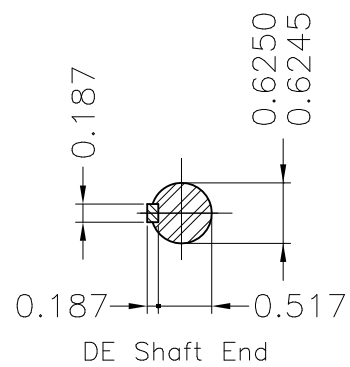
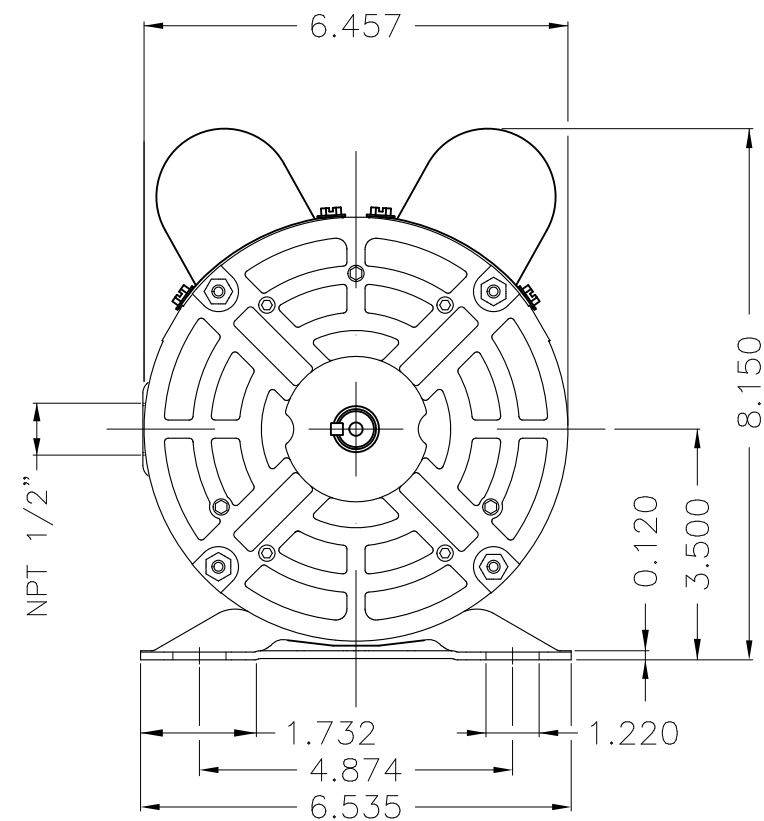
A

B

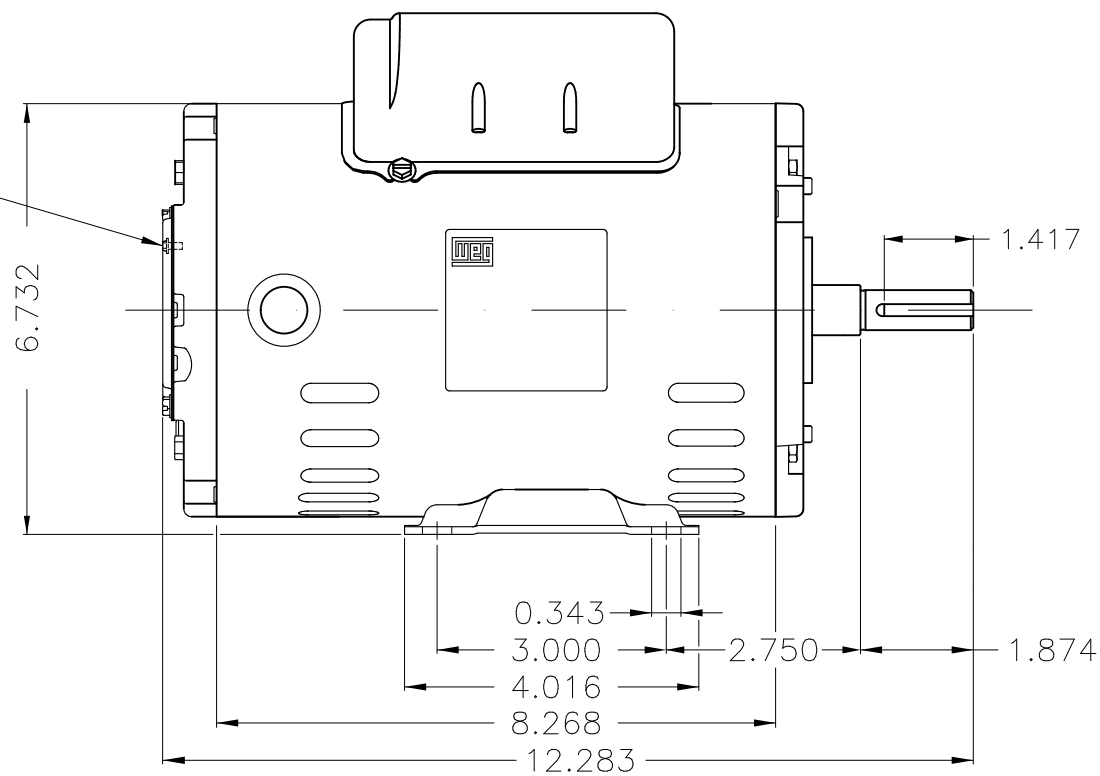
C

D

E




Grounding



Color Munsell N 1 matte black

Painting plan 207N

Mounting F-1/B3R(D)

ECM	LOC	SUMMARY OF MODIFICATIONS	EXECUTED	CHECKED	RELEASED	DATE	VER
EXECUTED	HYBRISUSER	 SINGLE PH. MOTOR ROLLED STEEL PREM. EFF. FRAME 56 IP21 ODP					
CHECKED							
RELEASED							
REL. DATE	WMO	Jaragua do Sul	Product Engineering	PREVIEW WDD 00		WEG SHEET 1 / 1	

1.5 HP 02 Poles 60 Hz

A

WMO Jaragua do Sul

Product Engineering

SHEET 1 / 1



Dimensions in inches

XME A3