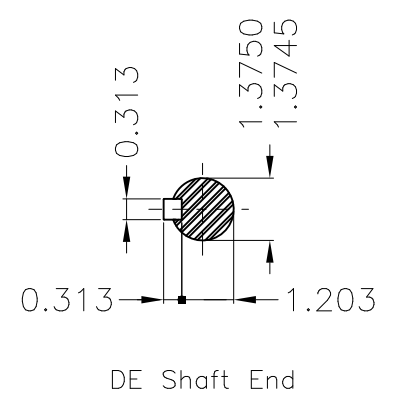
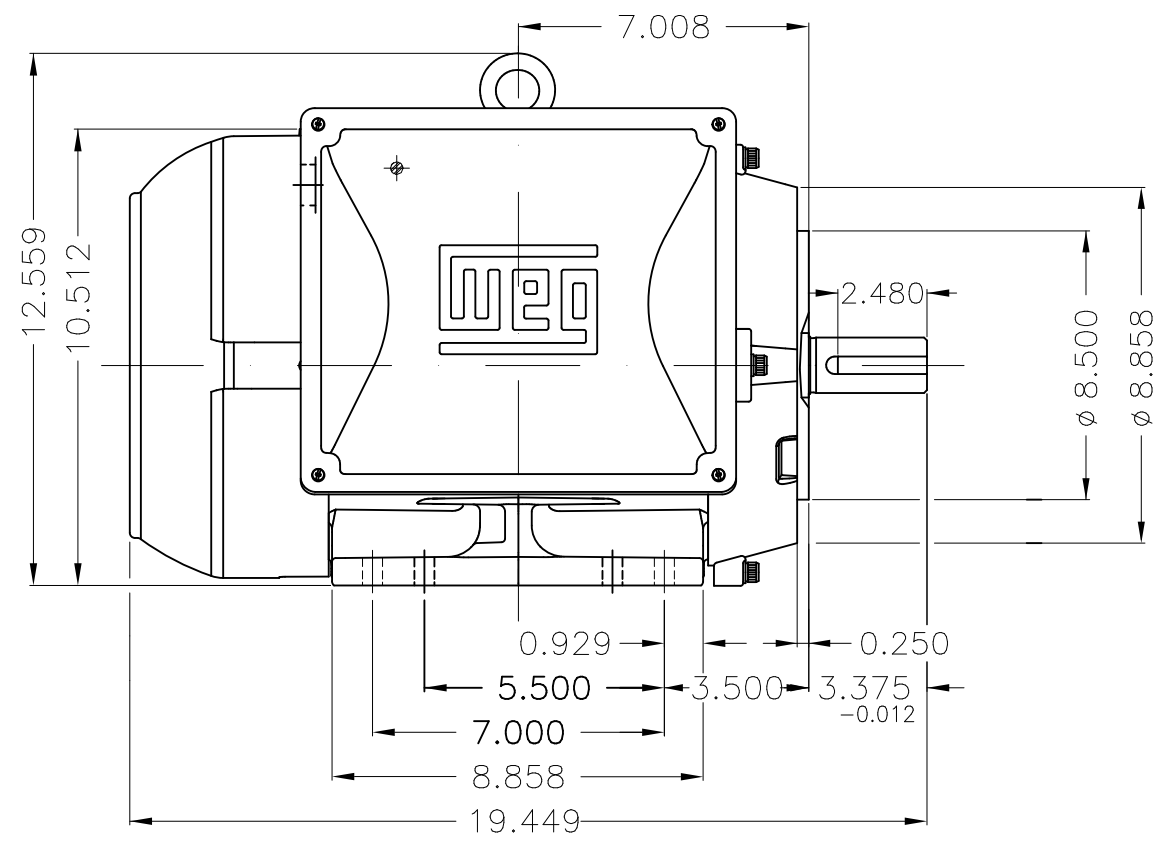
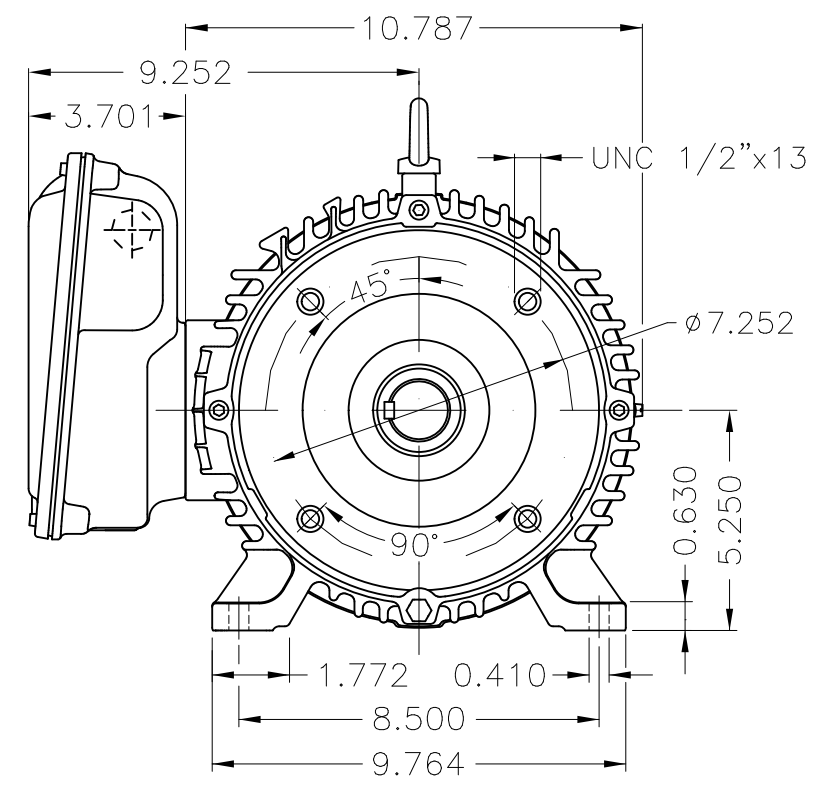
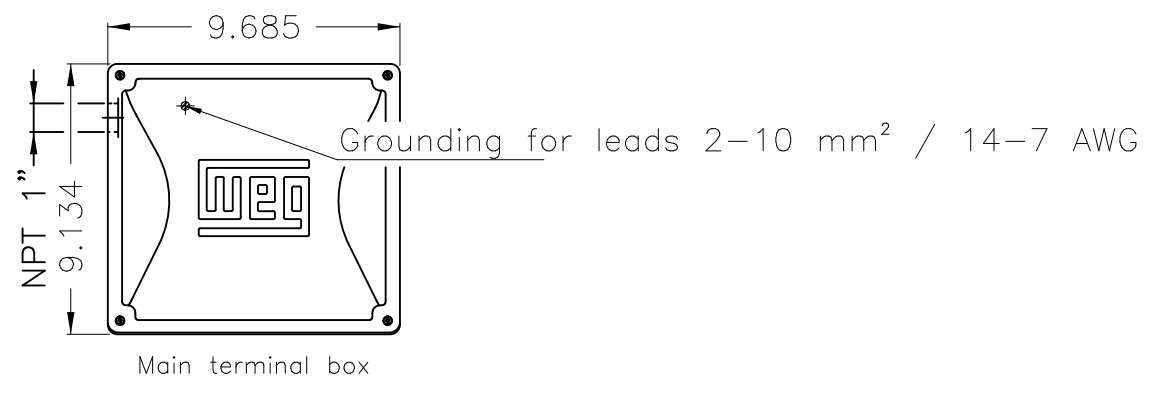


1 2 3 4 5 6

A
B
C
D
E



Color RAL 7022					
Mounting NEMA F-1					
Mounting B34R(D)					
				HYBRISUSER	00
ECM	LOC	SUMMARY OF MODIFICATIONS		EXECUTED	VER
EXECUTED	HYBRISUSER	SINGLE PH. MOTOR W22		PREVIEW	WDD 00
CHECKED		FRAME 213/5TC IP55 TEFC			
RELEASED					
REL. DATE	WMO	Jaragua do Sul	Product Engineering	SHEET	1 / 1

10 HP 02 Poles 60 Hz

A

