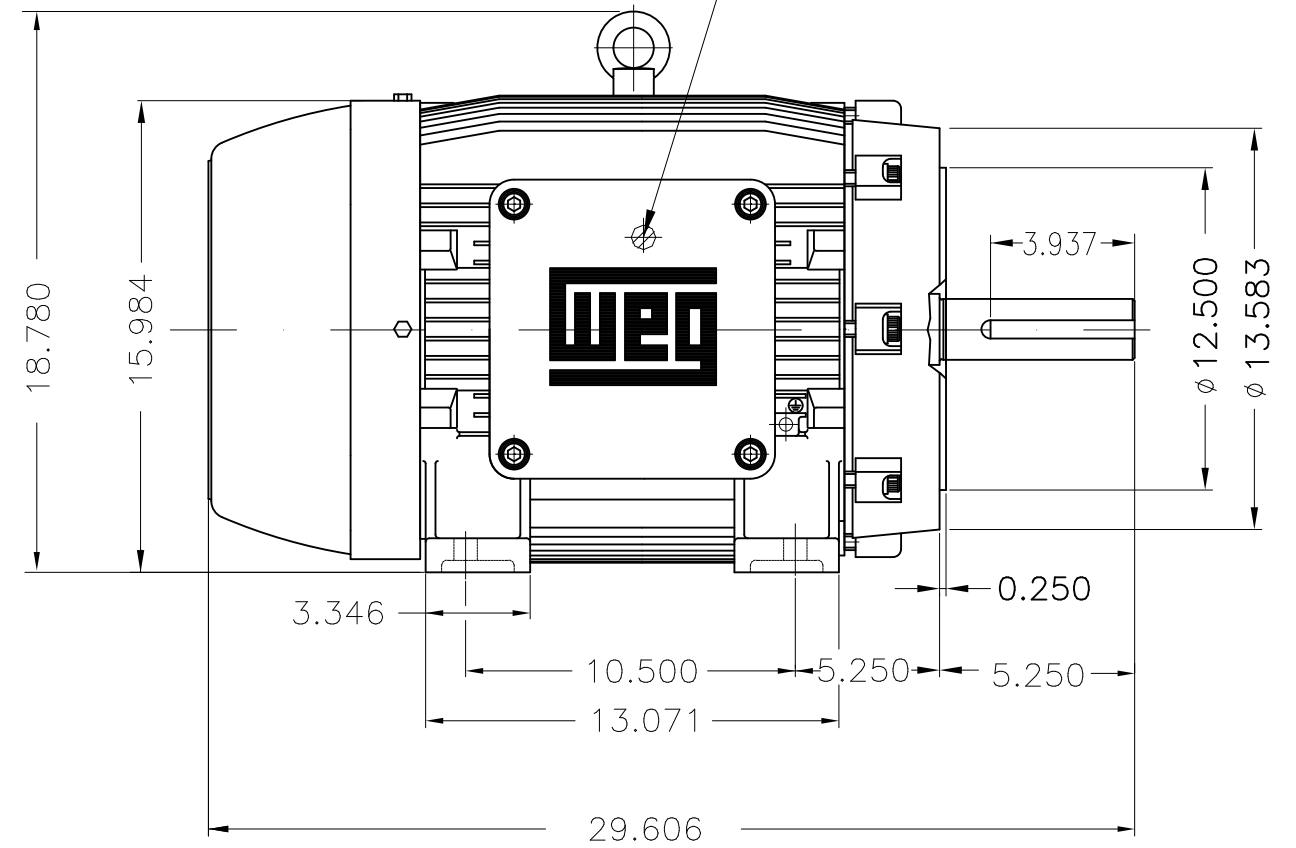
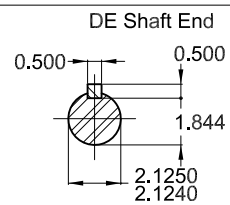


Grounding for leads 5.2–35 mm<sup>2</sup> / 10–2 AWG



- With grease fitting
- Color RAL 5009
- Painting plan 222P
- Mounting NEMA F-1
- Mounting B34R(D)



40 HP 04 Poles 60 Hz A

						HYBRISUSER								00	
ECM	LOC	SUMMARY OF MODIFICATIONS				EXECUTED	CHECKED	RELEASED	DATE	VER					
EXECUTED	HYBRISUSER			THREE PH. MOTOR EXPLOSION PROOF NEMA PREM. EFF.		<b>PREVIEW</b> WDD   00									
CHECKED				FRAME 324TC IP55 TEFC											
RELEASED															
REL. DATE		WMO Jaragua do Sul		Product Engineering		SHEET		1 / 1							