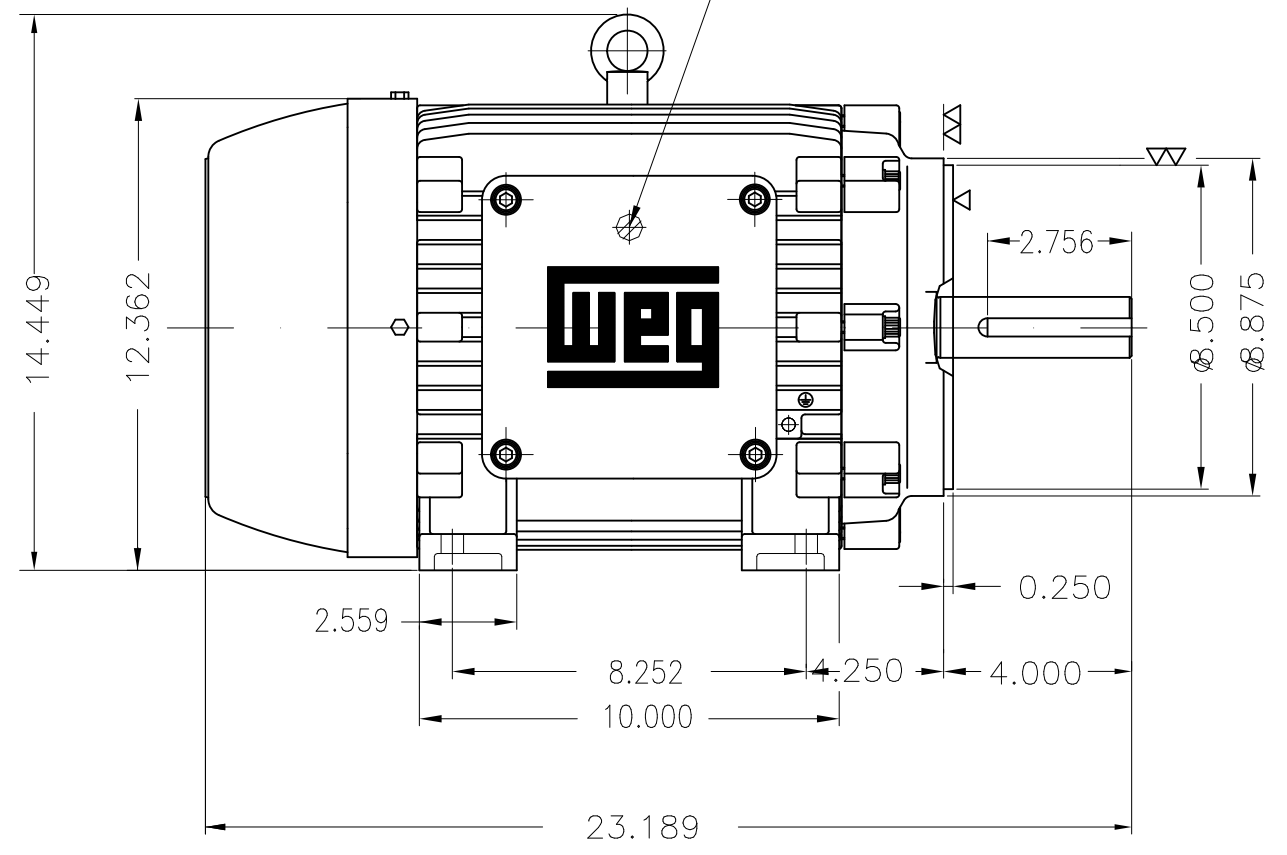
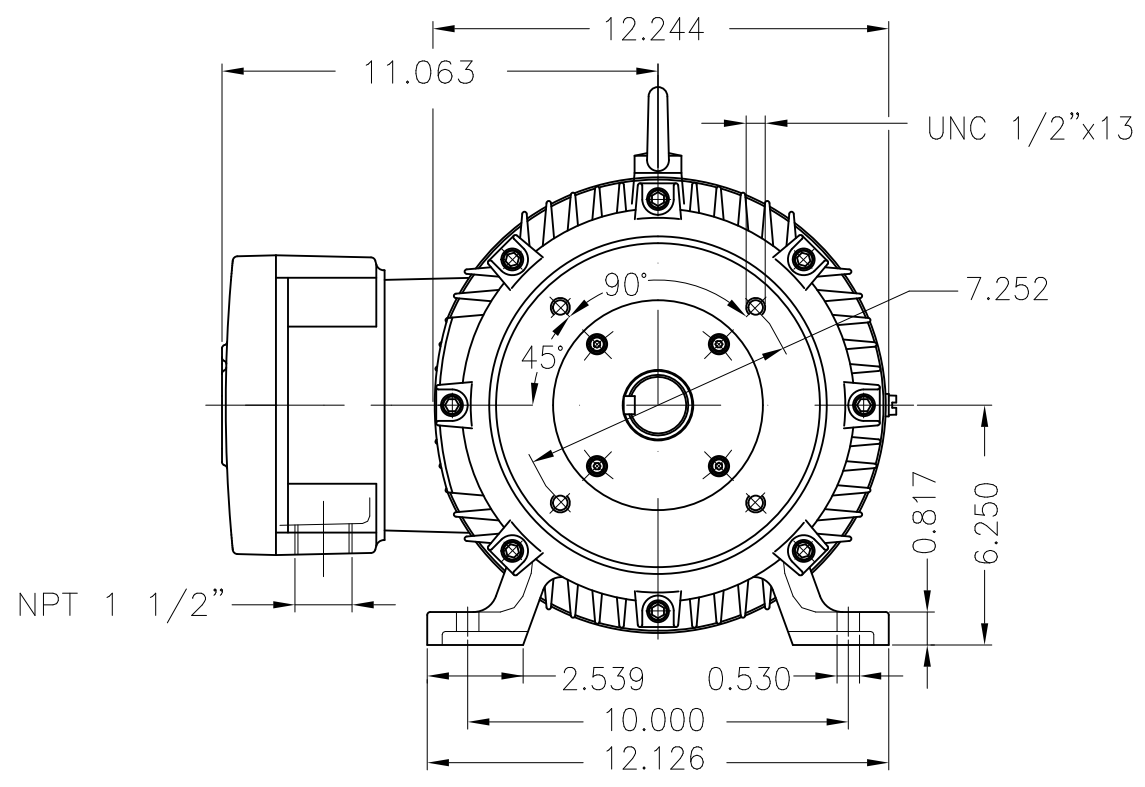
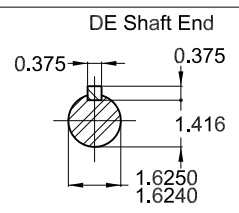


Grounding for leads 5.2–25 mm<sup>2</sup> / 10–4 AWG



- With grease fitting
- Color RAL 5009
- Painting plan 222P
- Mounting NEMA F-1
- Mounting B34R(D)



15 HP 02 Poles 60 Hz A

						HYBRISUSER								00	
ECM	LOC	SUMMARY OF MODIFICATIONS				EXECUTED	CHECKED	RELEASED	DATE	VER					
EXECUTED	HYBRISUSER	THREE PH. MOTOR EXPLOSION PROOF NEMA PREM. EFF.		FRAME 254TC IP55 TEFC		PREVIEW		WDD 00		SHEET 1 / 1					
CHECKED		WMO		Jaragua do Sul		Product Engineering									
RELEASED															
REL. DATE															