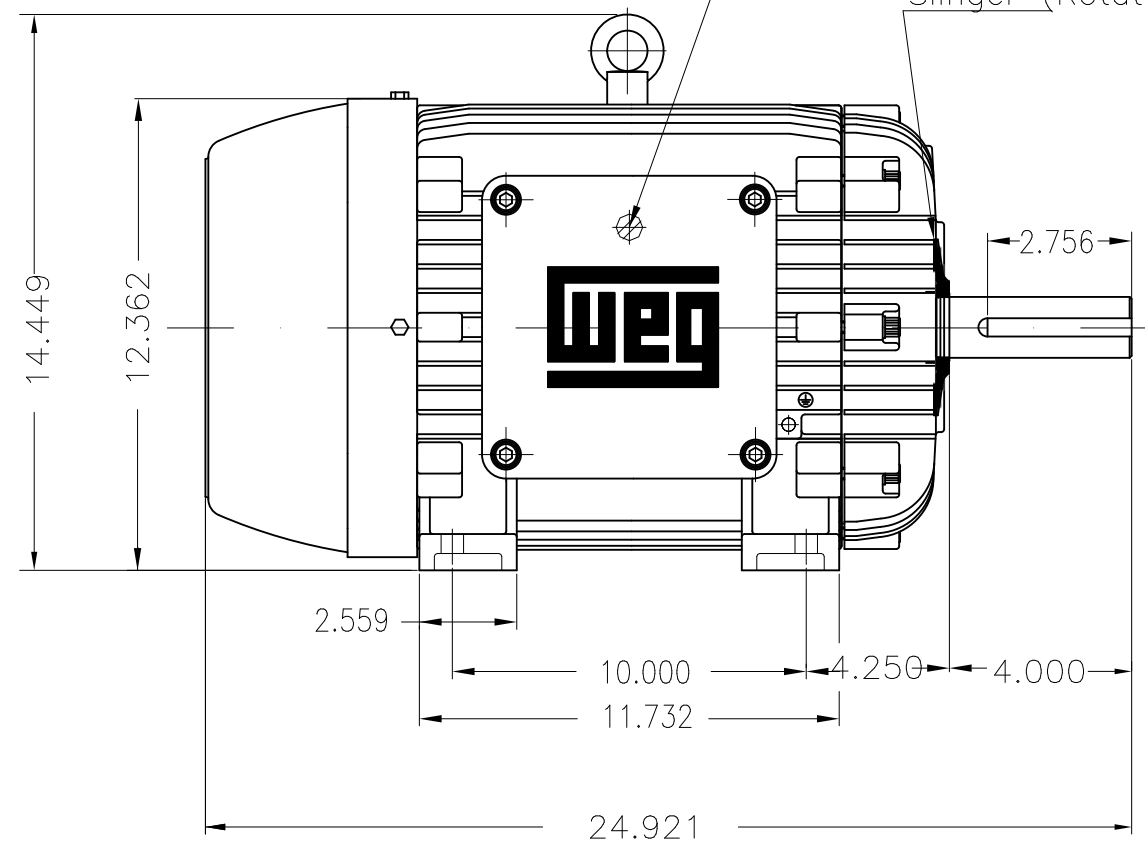
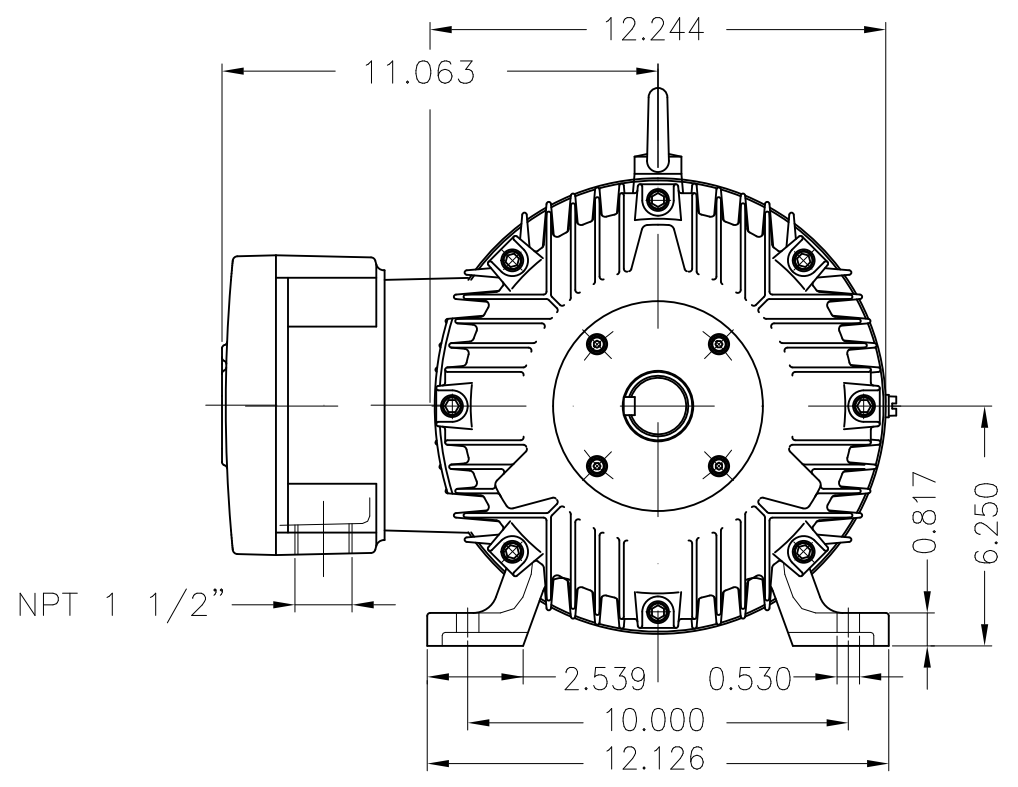


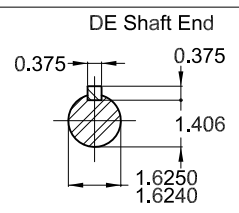
Grounding for leads 5.2–25 mm² / 10–4 AWG

Slinger (Rotating Seal)



10 HP 06 Poles 60 Hz A

- With grease fitting
- Color RAL 5009
- Painting plan 222P
- Mounting NEMA F-1
- Mounting B3R(D)



ECM		LOC	SUMMARY OF MODIFICATIONS		HYBRISUSER					00
EXECUTED	HYBRISUSER		THREE PH. MOTOR EXPLOSION PROOF NEMA PREM. EFF.		EXECUTED	CHECKED	RELEASED	DATE	VER	
CHECKED			FRAME 256T IP55 TEFC							
RELEASED										
REL. DATE		WMO	Jaragua do Sul	Product Engineering	SHEET		1 / 1			

PREVIEW

WDD 00

