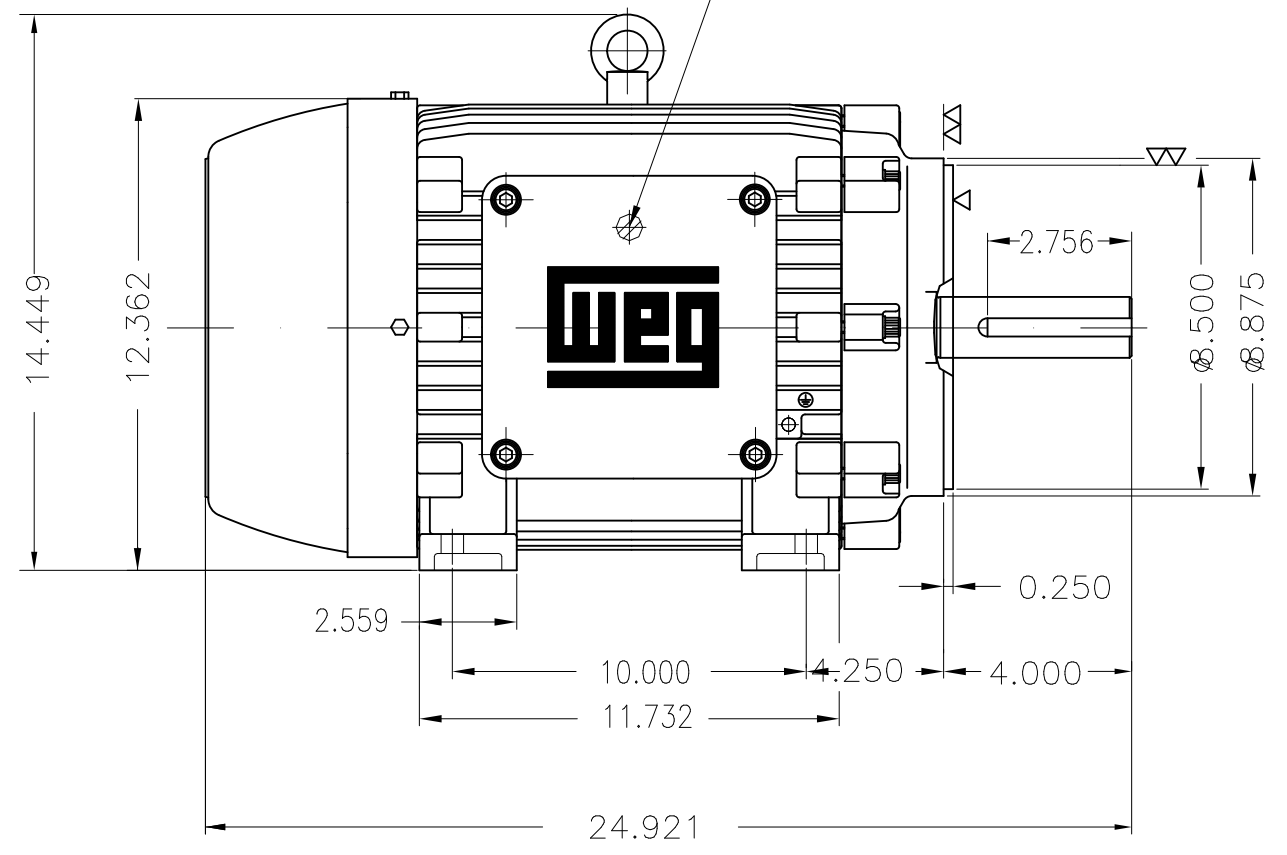
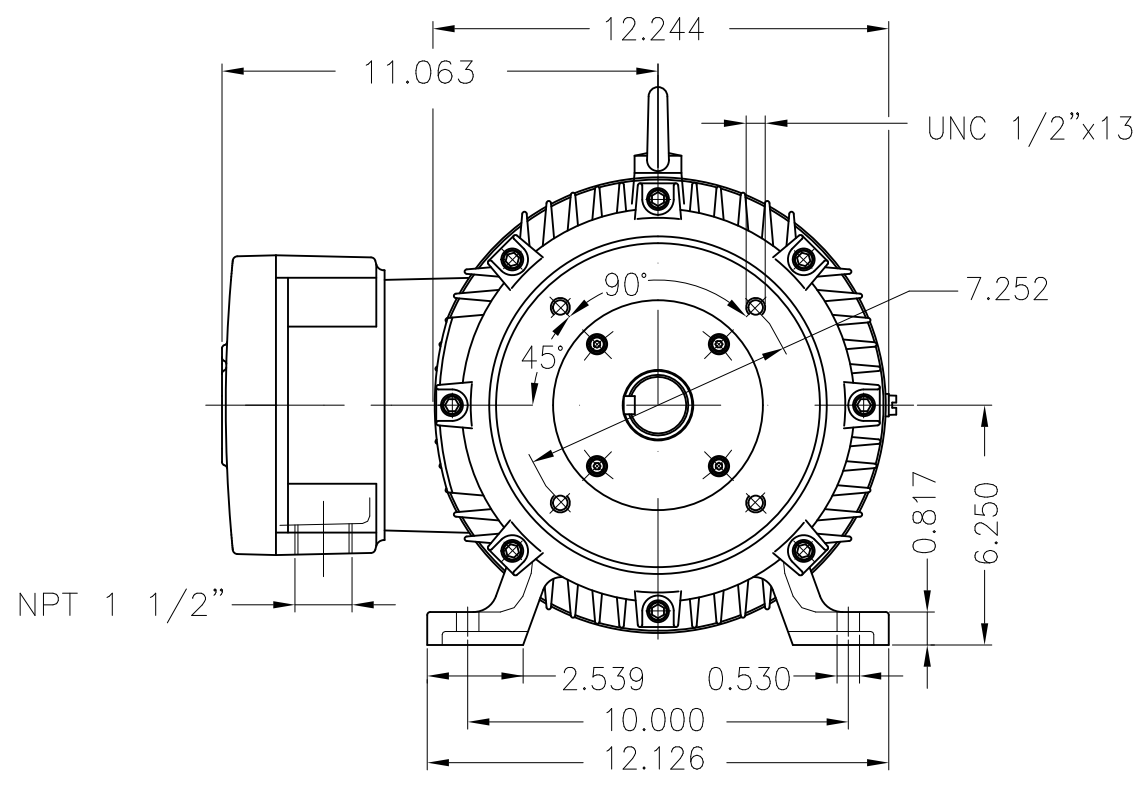
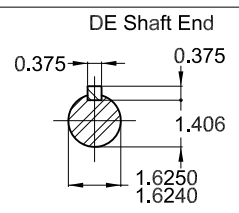


Grounding for leads 5.2–25 mm² / 10–4 AWG



10 HP 06 Poles 60 Hz A

- With grease fitting
- Color RAL 5009
- Painting plan 222P
- Mounting NEMA F-1
- Mounting B34R(D)



ECM	LOC		THREE PH. MOTOR EXPLOSION PROOF NEMA PREM. EFF. FRAME 256TC IP55 TEFC	HYBRISUSER					00
EXECUTED	HYBRISUSER			EXECUTED	CHECKED	RELEASED	DATE	VER	
CHECKED				PREVIEW WDD 00					
RELEASED				SHEET 1 / 1					
REL. DATE		WMO	Jaragua do Sul	Product Engineering					