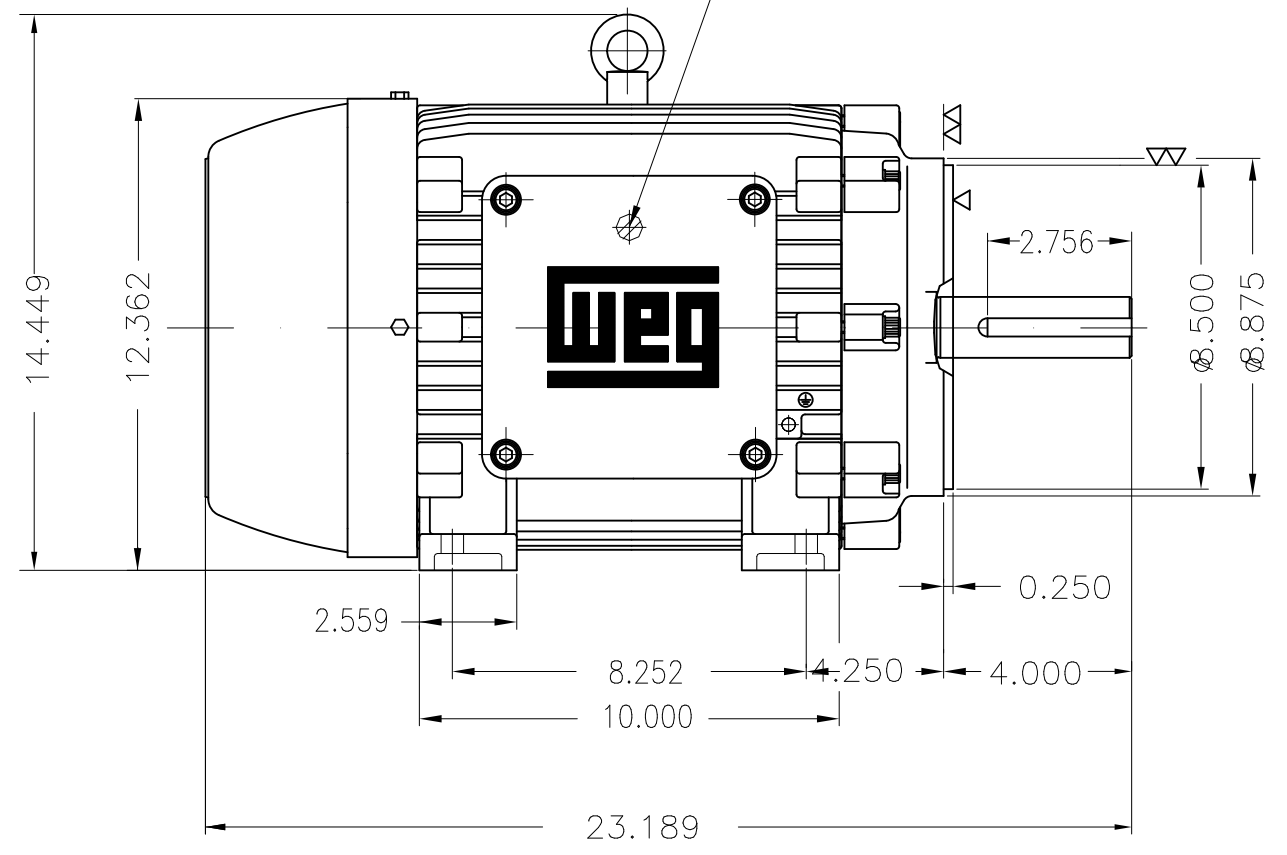
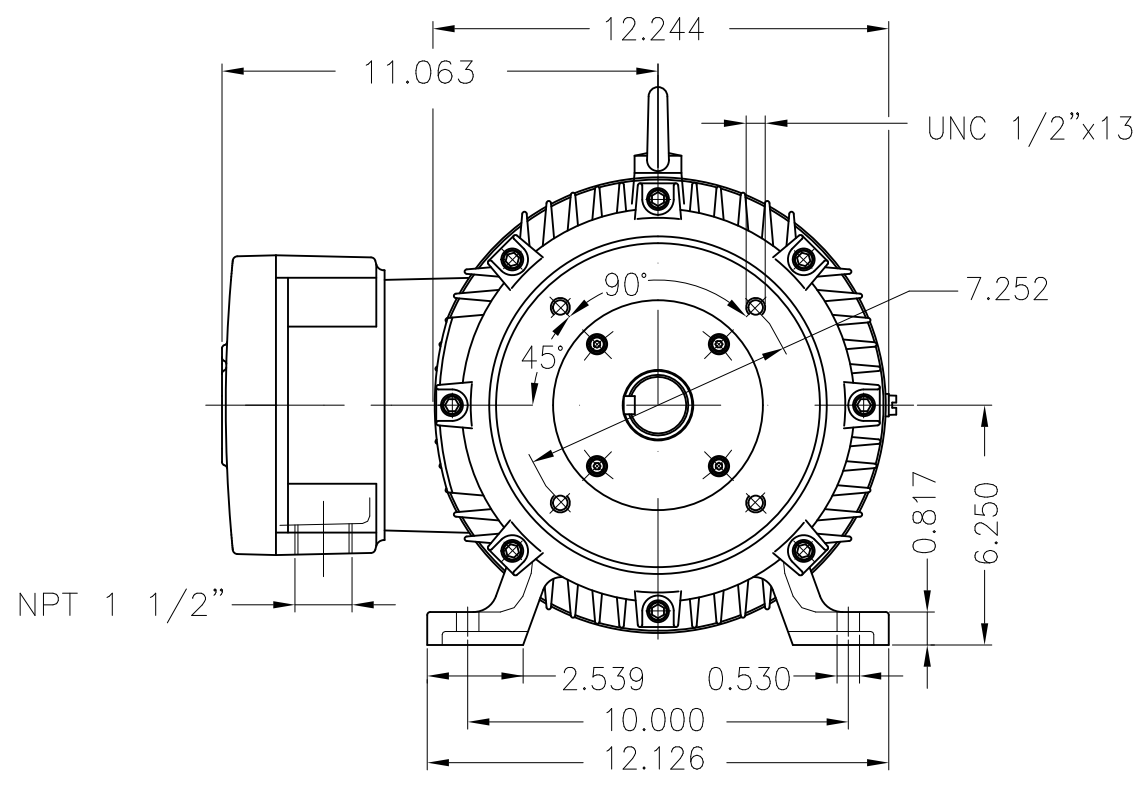
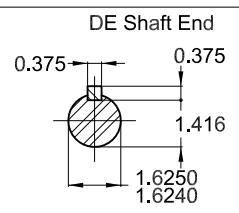


Grounding for leads 5.2–25 mm² / 10–4 AWG



- With grease fitting
- Color RAL 5009
- Painting plan 222P
- Mounting NEMA F-1
- Mounting B34R(D)



15 HP 02 Poles 60 Hz A

						HYBRISUSER								00	
ECM	LOC	SUMMARY OF MODIFICATIONS				EXECUTED	CHECKED	RELEASED	DATE	VER					
EXECUTED	HYBRISUSER	THREE PH. MOTOR EXPLOSION PROOF NEMA PREM. EFF.		FRAME 254TC IP55 TEFC		PREVIEW		WDD		00					
CHECKED												SHEET 1 / 1			
RELEASED															
REL. DATE		WMO Jaragua do Sul		Product Engineering											