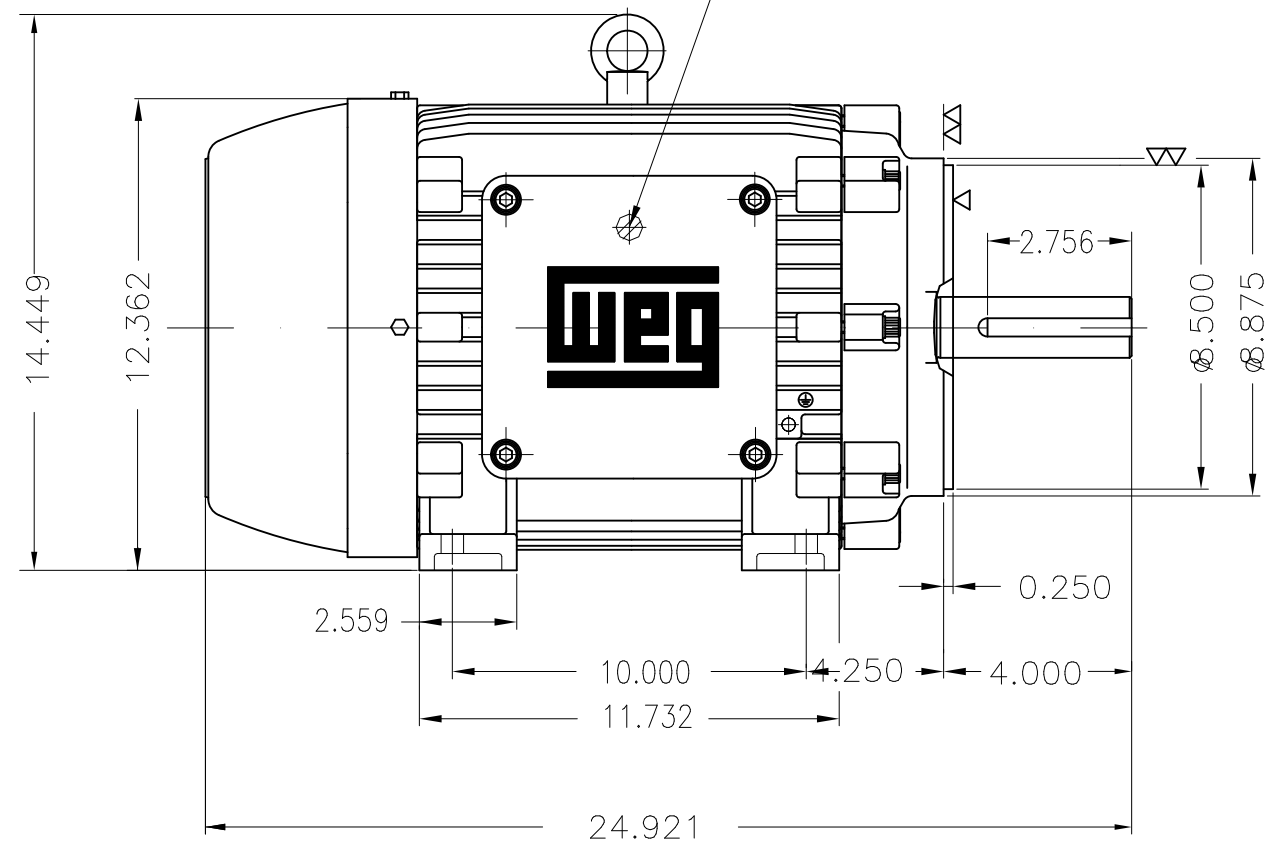
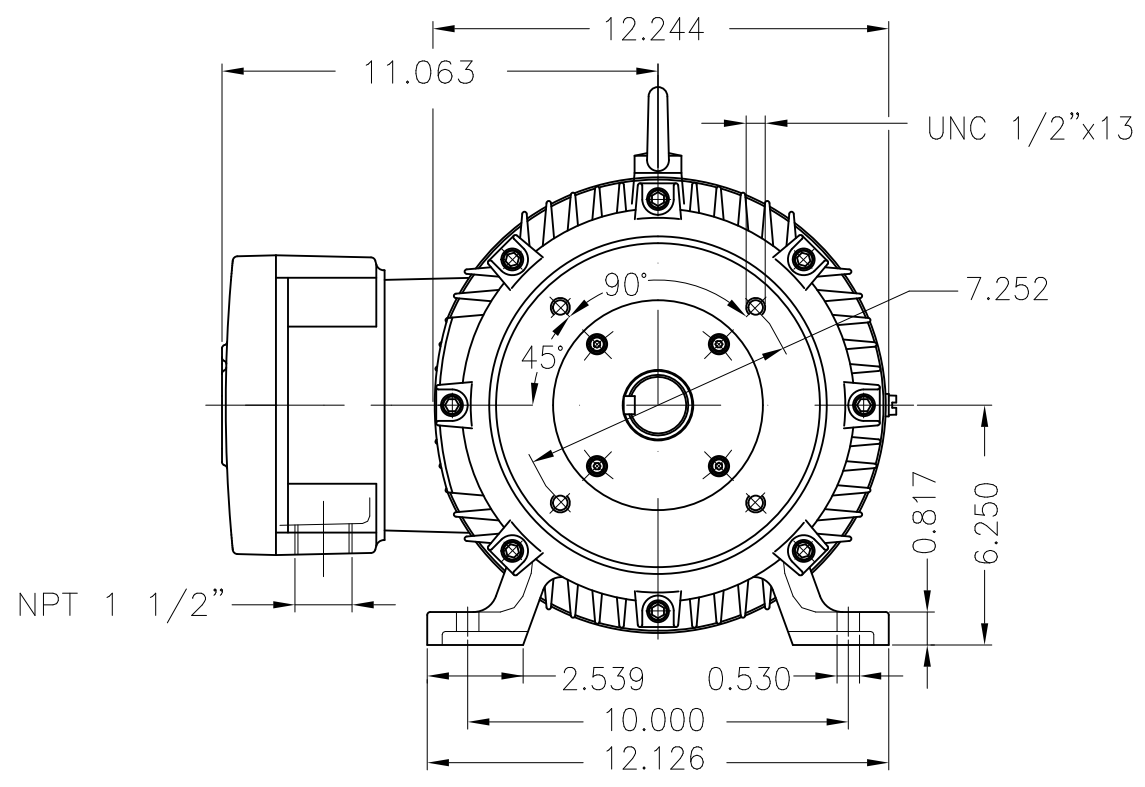
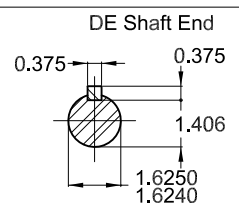


Grounding for leads 5.2–25 mm<sup>2</sup> / 10–4 AWG



20 HP 04 Poles 60 Hz A

- With grease fitting
- Color RAL 5009
- Painting plan 222P
- Mounting NEMA F-1
- Mounting B34R(D)



ECM		LOC	SUMMARY OF MODIFICATIONS		HYBRISUSER					00
EXECUTED	HYBRISUSER		THREE PH. MOTOR EXPLOSION PROOF NEMA PREM. EFF.	EXECUTED	CHECKED	RELEASED	DATE	VER		
CHECKED			FRAME 256TC IP55 TEFC							
RELEASED										
REL. DATE		WMO	Jaragua do Sul	Product Engineering						

PREVIEW  
WDD 00  
SHEET 1 / 1

