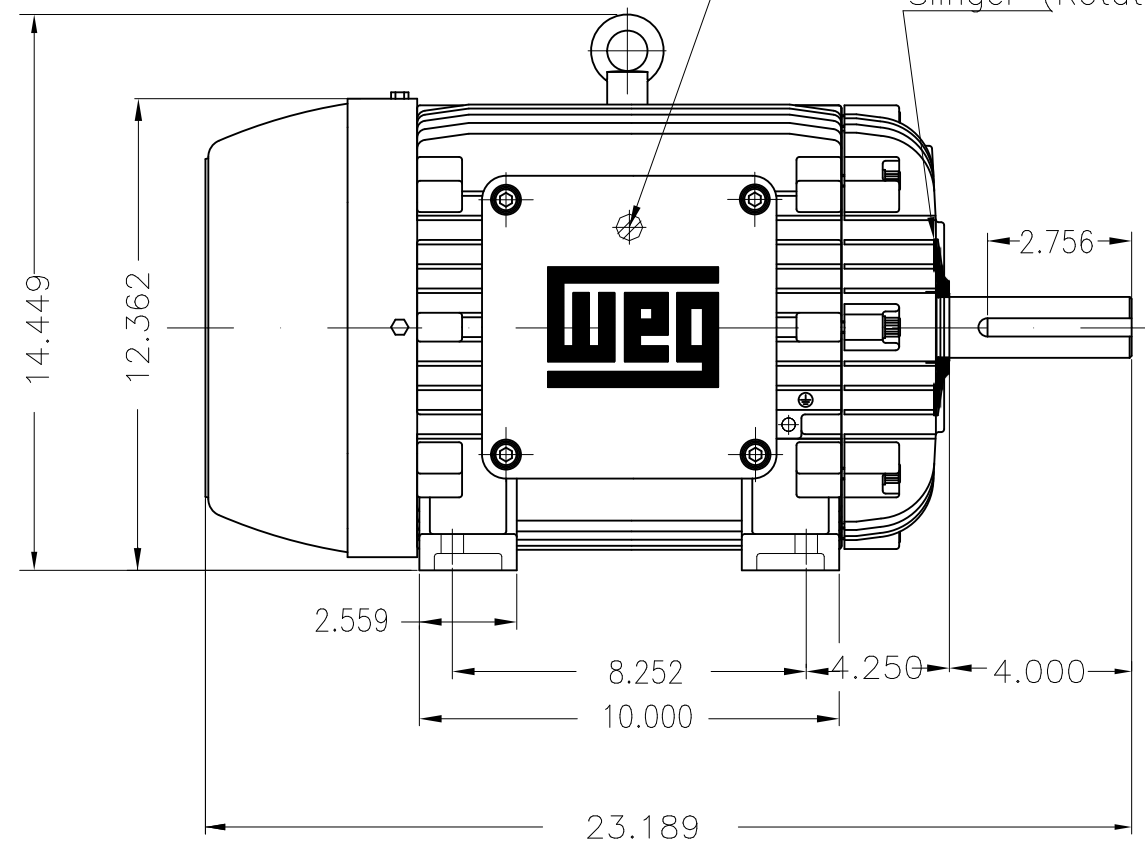
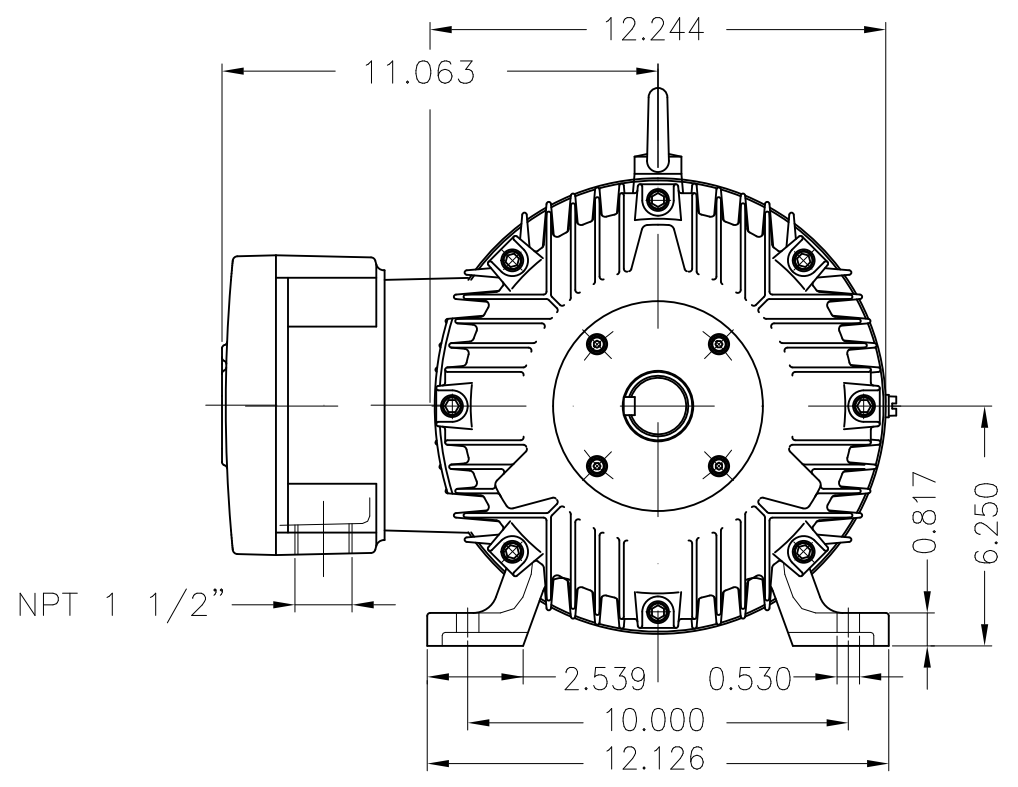


Grounding for leads 5.2–25 mm² / 10–4 AWG

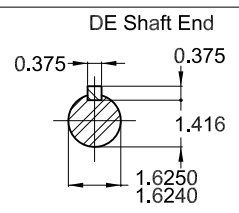
Slinger (Rotating Seal)



D

E

Color RAL 5009
 Painting plan 222P
 Mounting NEMA F-1
 Mounting B3R(D)



15 HP 04 Poles 60 Hz A

| | | | | | | | | | | |
|-----------|------------|-----|---|---------------------|------------|---------|----------|------|-----|----|
| ECM | | LOC | SUMMARY OF MODIFICATIONS | | HYBRISUSER | | | | | 00 |
| EXECUTED | HYBRISUSER | | THREE PH. MOTOR EXPLOSION PROOF NEMA PREM. EFF. | | EXECUTED | CHECKED | RELEASED | DATE | VER | |
| CHECKED | | | FRAME 254T IP55 TEFC | | | | | | | |
| RELEASED | | | | | | | | | | |
| REL. DATE | | WMO | Jaragua do Sul | Product Engineering | | | | | | |

PREVIEW

WDD 00

SHEET 1 / 1

