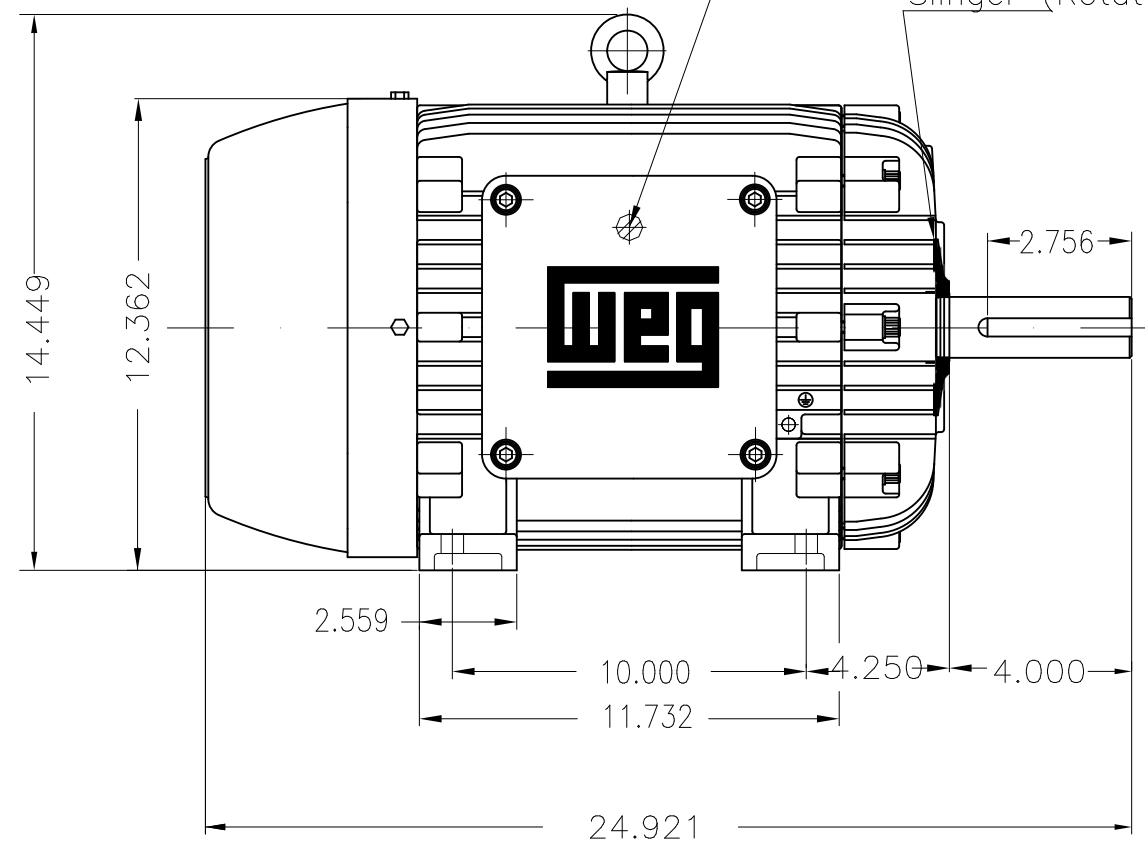
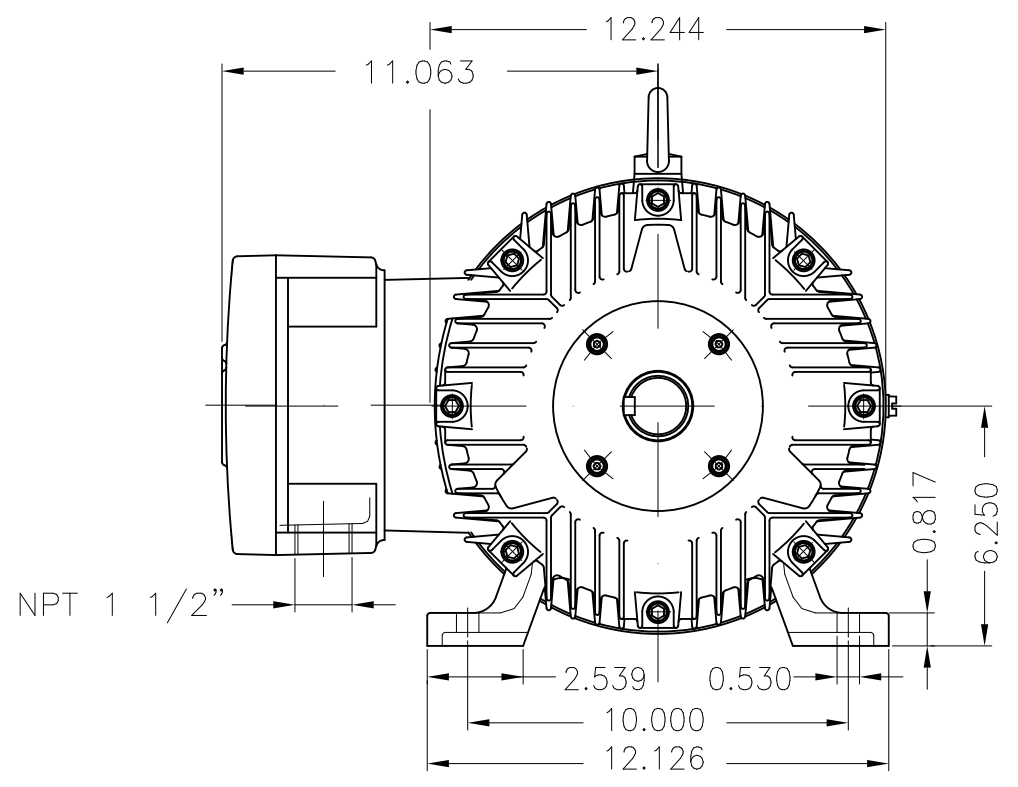


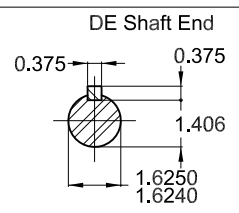
Grounding for leads 5.2–25 mm² / 10–4 AWG

Slinger (Rotating Seal)



10 HP 06 Poles 60 Hz A

- With grease fitting
- Color RAL 5009
- Painting plan 222P
- Mounting NEMA F-1
- Mounting B3R(D)



ECM		LOC	SUMMARY OF MODIFICATIONS		HYBRISUSER					00
EXECUTED	HYBRISUSER			THREE PH. MOTOR EXPLOSION PROOF NEMA PREM. EFF.	EXECUTED	CHECKED	RELEASED	DATE	VER	PREVIEW WDD 00 SHEET 1 / 1
CHECKED				FRAME 256T IP55 TEFC						
RELEASED										
REL. DATE		WMO		Jaragua do Sul	Product Engineering					