

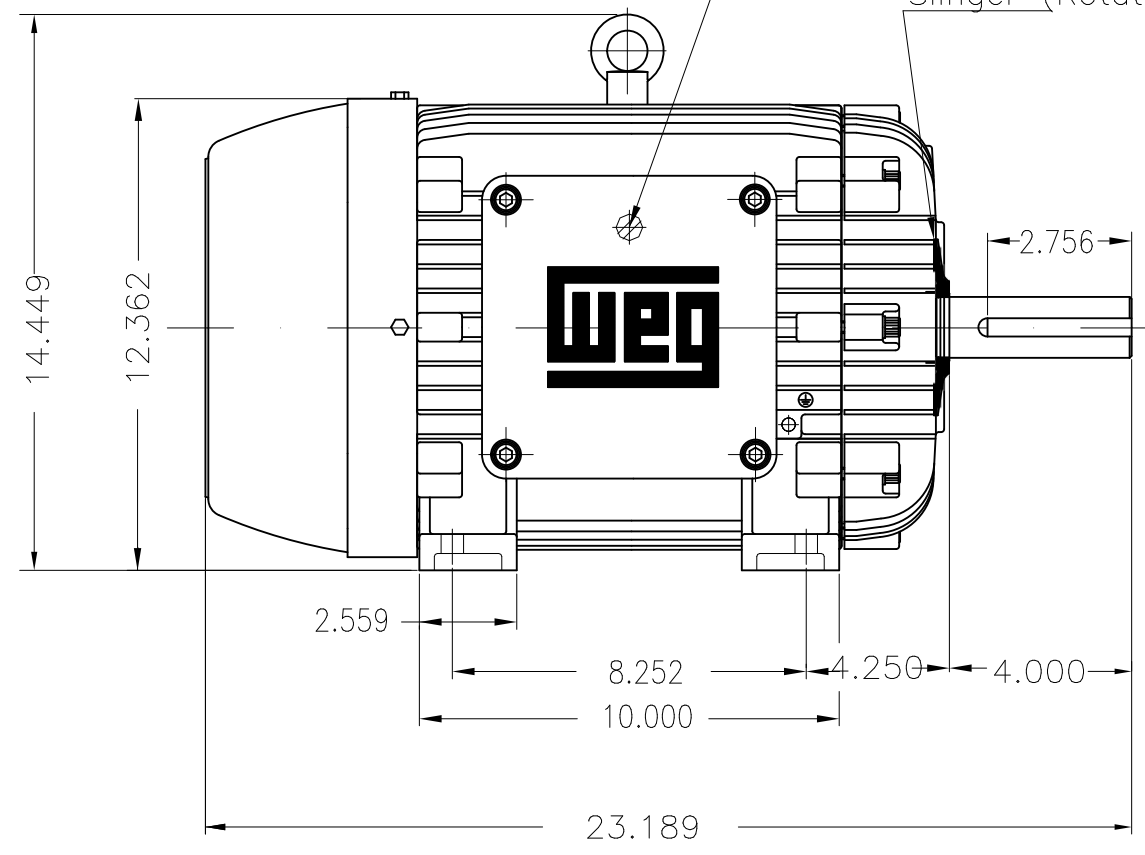
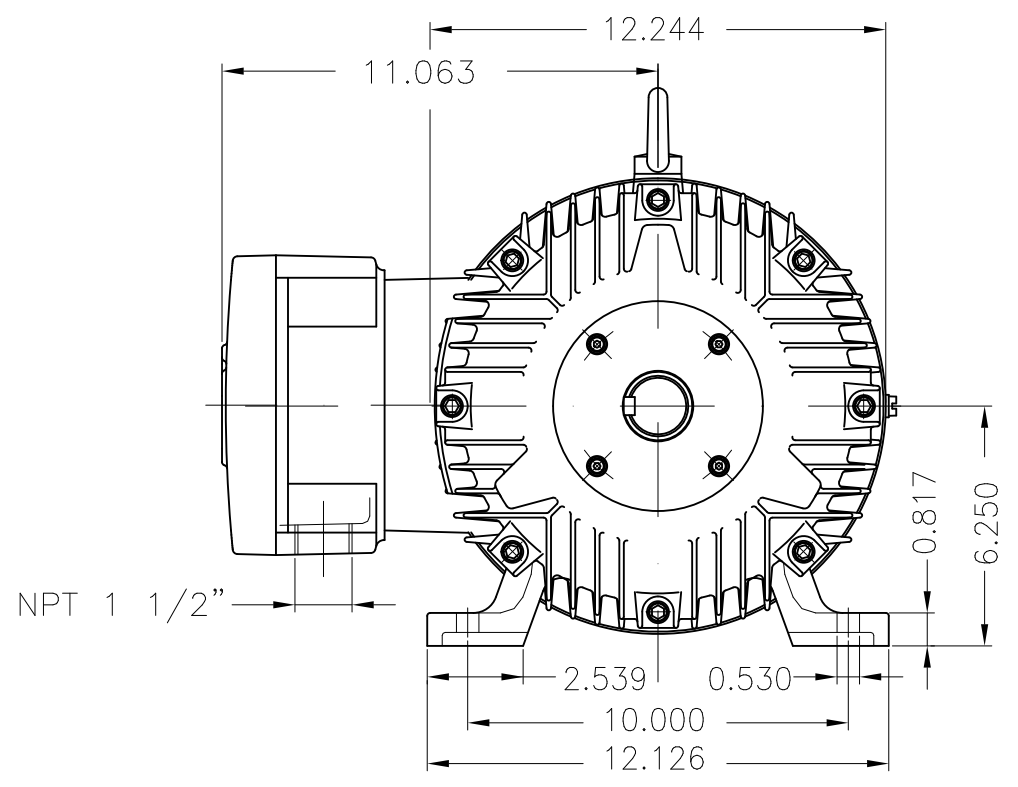
Grounding for leads 5.2-25 mm² / 10-4 AWG

Slinger (Rotating Seal)

A

B

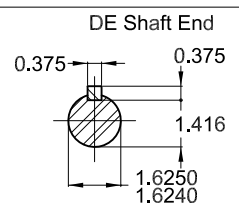
C



D

E

With grease fitting
 Color RAL 5009
 Painting plan 222P
 Mounting NEMA F-1
 Mounting B3R(D)



7.5 HP 06 Poles 60 Hz A

ECM		LOC	SUMMARY OF MODIFICATIONS				HYBRISUSER	EXECUTED	CHECKED	RELEASED	DATE	VER
EXECUTED	HYBRISUSER		THREE PH. MOTOR EXPLOSION PROOF	NEMA PREM. EFF.	FRAME 254T IP55 TEFC							
CHECKED												
RELEASED												
REL. DATE			WMO	Jaragua do Sul	Product Engineering							

PREVIEW
 WDD 00
 SHEET 1 / 1

