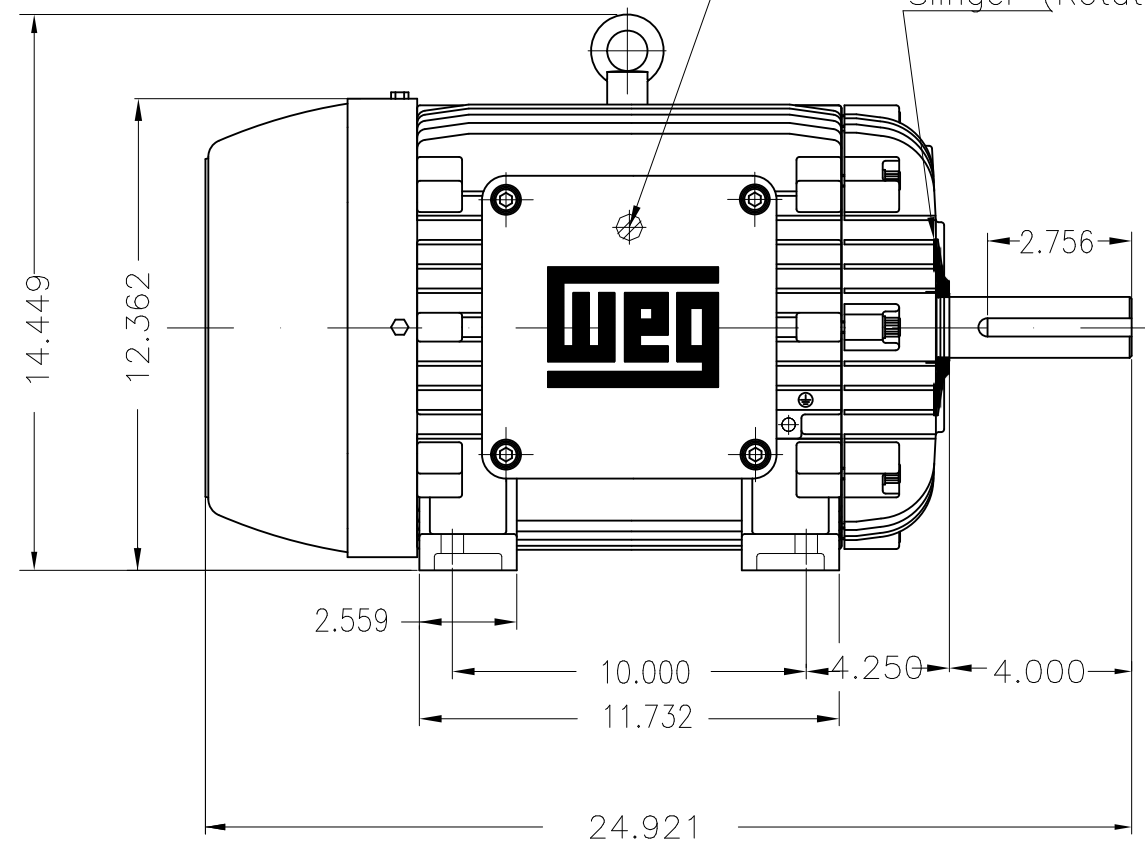
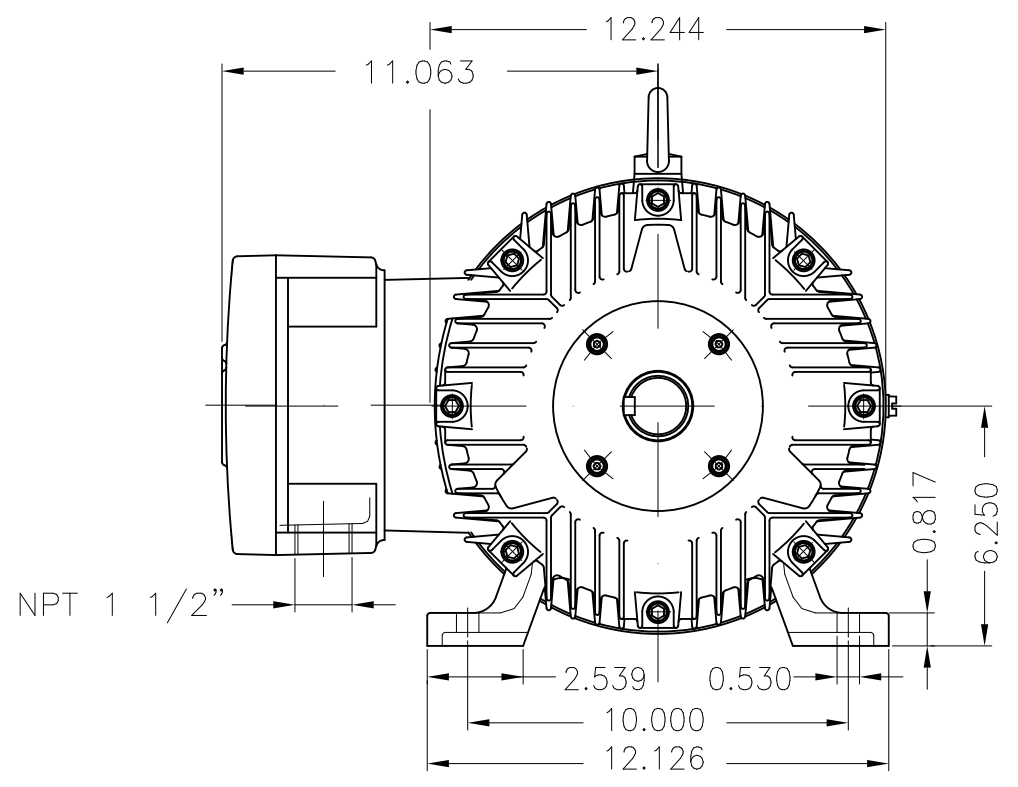


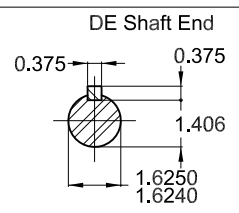
Grounding for leads 5.2–25 mm<sup>2</sup> / 10–4 AWG

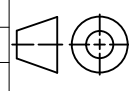
Slinger (Rotating Seal)



20 HP 04 Poles 60 Hz A

Color RAL 5009  
 Painting plan 222P  
 Mounting NEMA F-1  
 Mounting B3R(D)



ECM	LOC	 THREE PH. MOTOR EXPLOSION PROOF NEMA PREM. EFF. FRAME 256T IP55 TEFC	HYBRISUSER					00
EXECUTED	HYBRISUSER		EXECUTED	CHECKED	RELEASED	DATE	VER	
CHECKED								
RELEASED								
REL. DATE		WMO Jaragua do Sul	Product Engineering					

PREVIEW  
 WDD 00  
 SHEET 1 / 1

