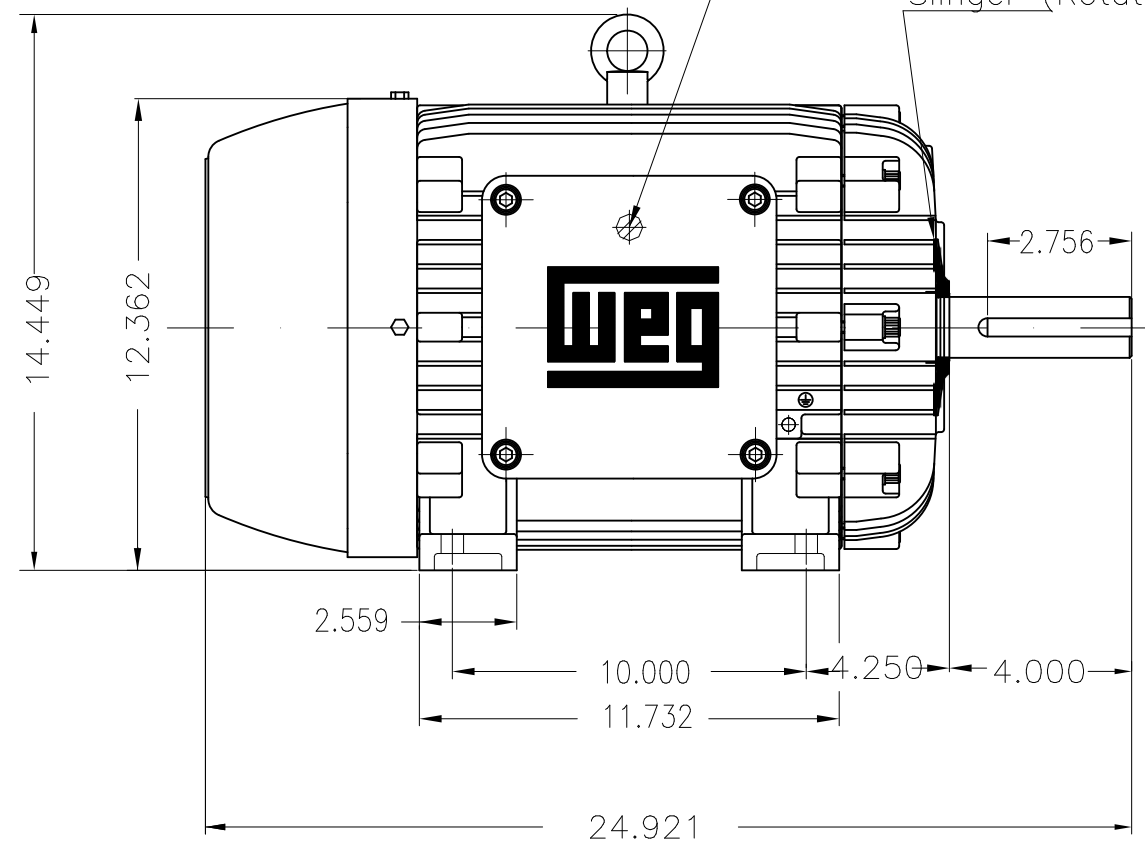
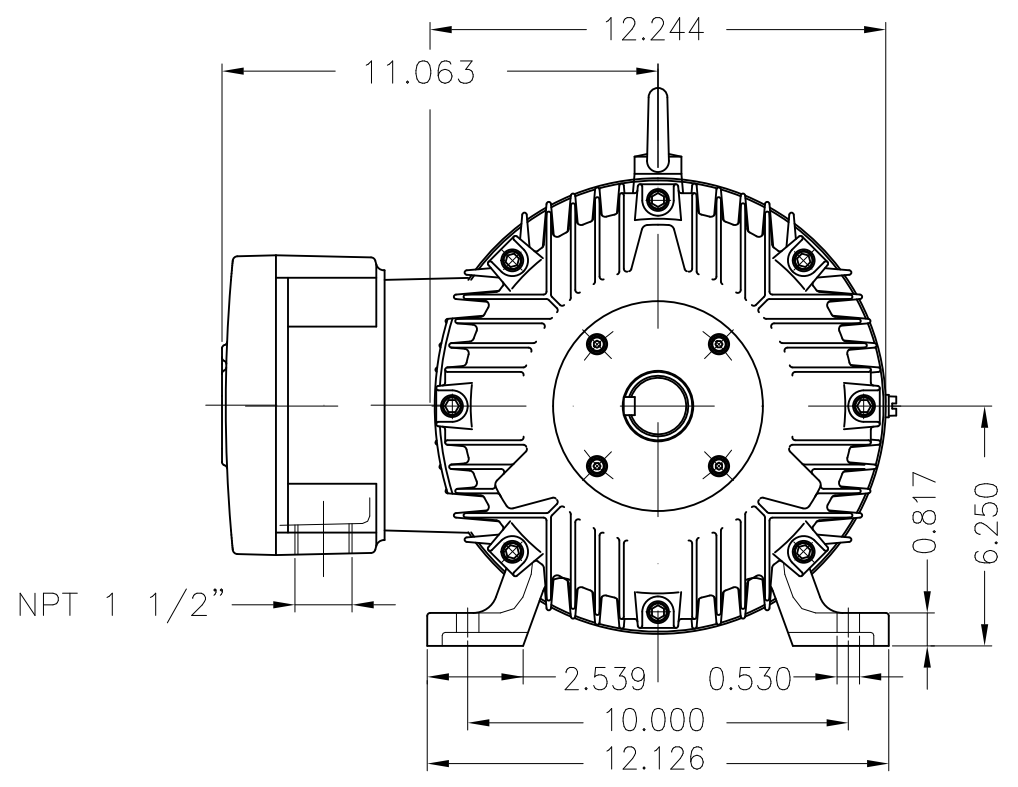


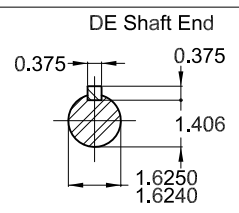
Grounding for leads 5.2–25 mm² / 10–4 AWG

Slinger (Rotating Seal)



20 HP 02 Poles 60 Hz A

- With grease fitting
- Color RAL 5009
- Painting plan 202P
- Mounting NEMA F-1
- Mounting B3R(D)



ECM		LOC	SUMMARY OF MODIFICATIONS			HYBRISUSER					00
EXECUTED	HYBRISUSER			THREE PH. MOTOR EXPLOSION PROOF NEMA PREM. EFF.			PREVIEW WDD 00				
CHECKED		FRAME 256T IP55 TEFC									
RELEASED											
REL. DATE											
		WMO	Jaragua do Sul	Product Engineering	SHEET	1 / 1					