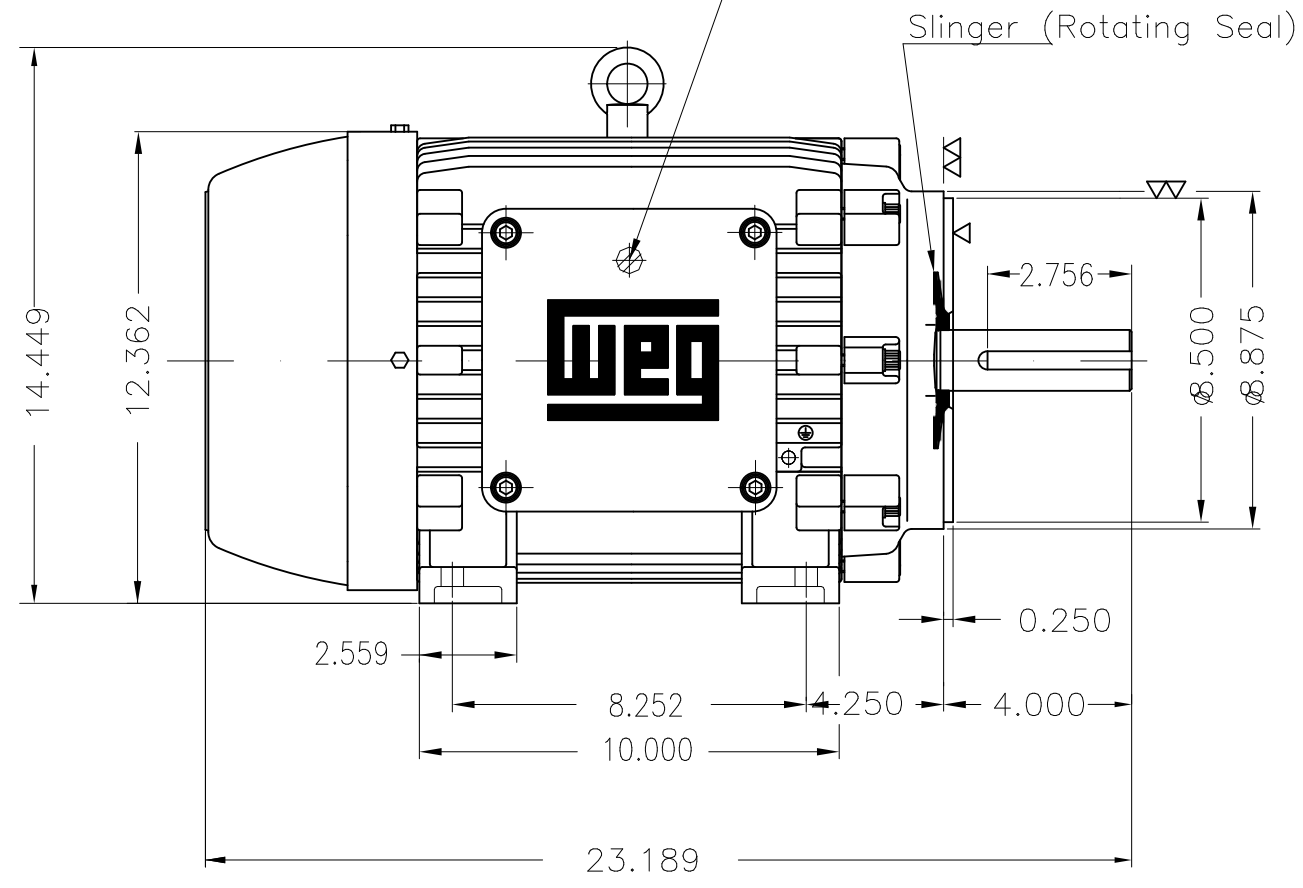
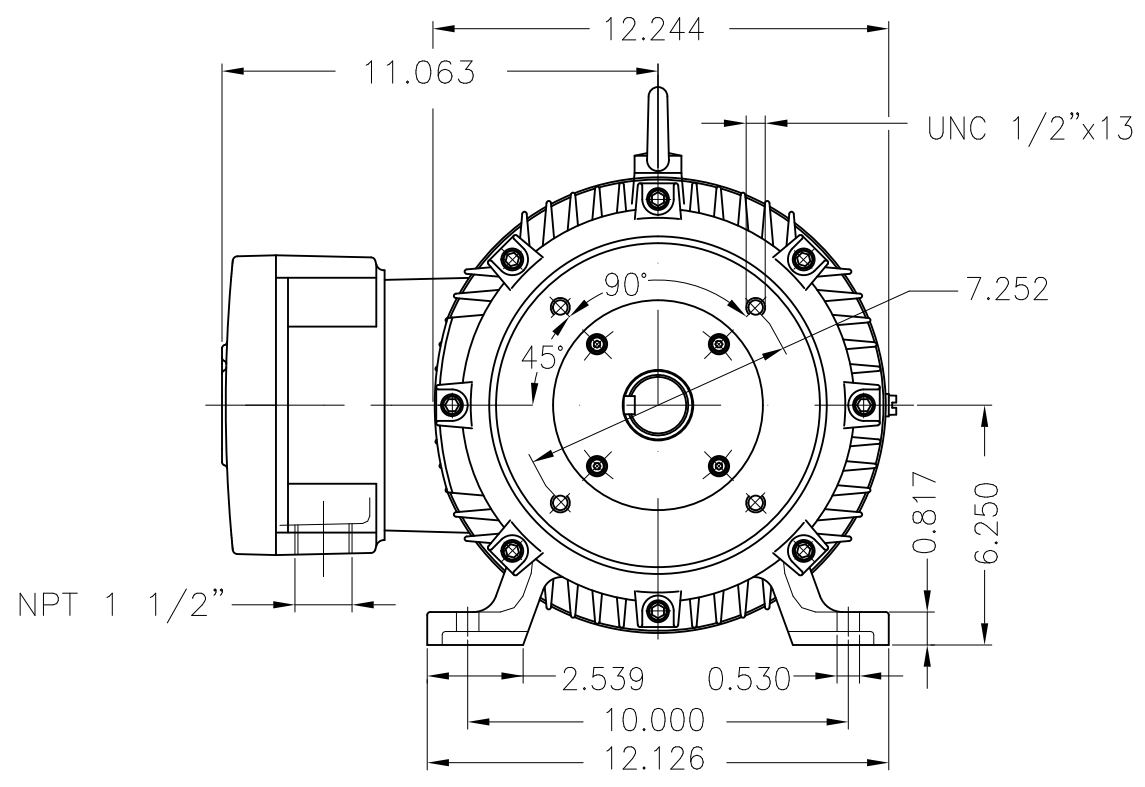


Grounding for leads 5.2–25 mm² / 10–4 AWG

A

B

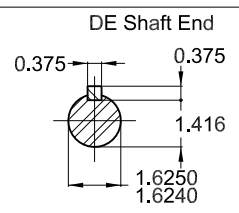
C



D

E

- With grease fitting
- Color RAL 5009
- Painting plan 202P
- Mounting NEMA F-1
- Mounting B34R(D)



15 HP 04 Poles 60 Hz A

						HYBRISUSER								00	
ECM	LOC	SUMMARY OF MODIFICATIONS				EXECUTED	CHECKED	RELEASED	DATE	VER					
EXECUTED	HYBRISUSER	THREE PH. MOTOR EXPLOSION PROOF NEMA PREM. EFF.		FRAME 254TC IP55 TEFC		PREVIEW		WDD		00					
CHECKED															
RELEASED															
REL. DATE		WMO	Jaragua do Sul	Product Engineering	SHEET	1 / 1									