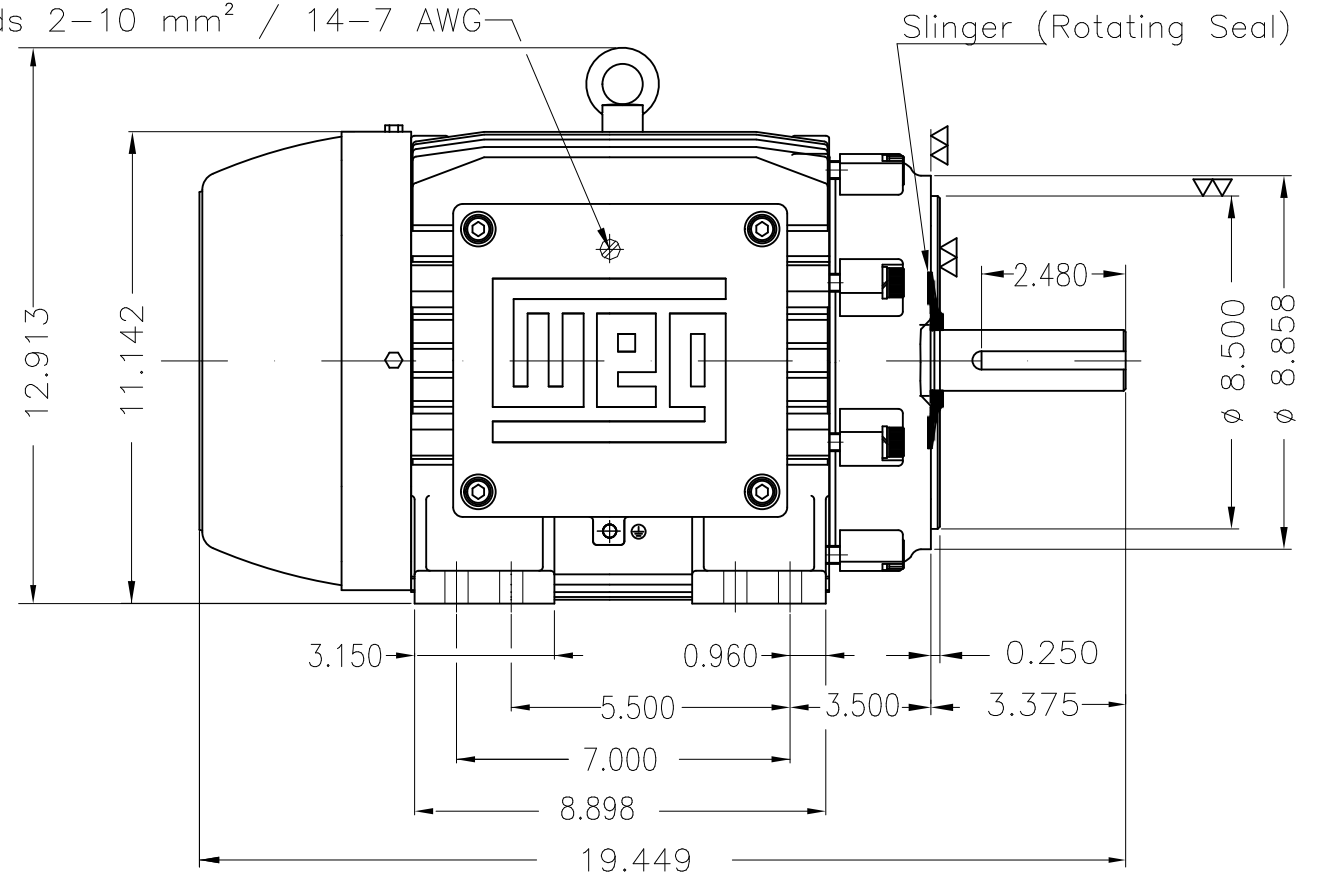
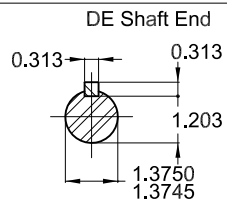


Grounding for leads 2-10 mm<sup>2</sup> / 14-7 AWG



Color RAL 5009  
 Painting plan 202P  
 Mounting NEMA F-1  
 Mounting B34R(D)



10 HP 02 Poles 60 Hz

ECM		LOC	SUMMARY OF MODIFICATIONS		HYBRISUSER						00
EXECUTED	HYBRISUSER		THREE PH. MOTOR EXPLOSION PROOF	NEMA PREM. EFF.	EXECUTED	CHECKED	RELEASED	DATE	VER		
CHECKED			FRAME 213/5TC IP55 TEFC								
RELEASED											
REL. DATE		WMO	Jaragua do Sul	Product Engineering							

PREVIEW

WDD 00

SHEET 1 / 1

