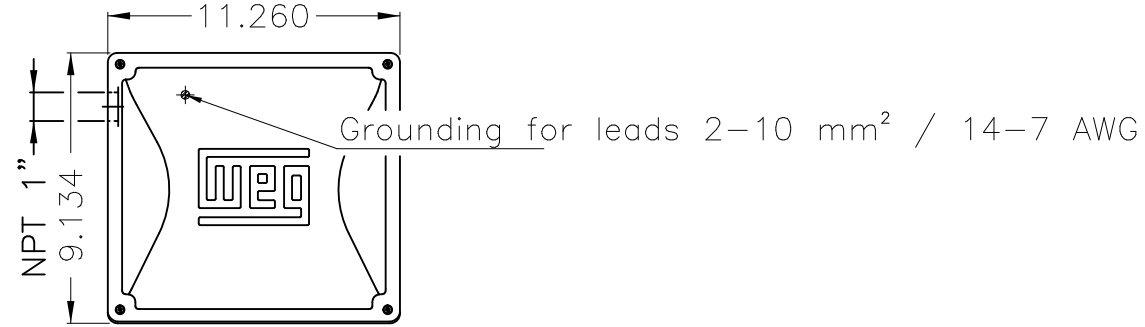
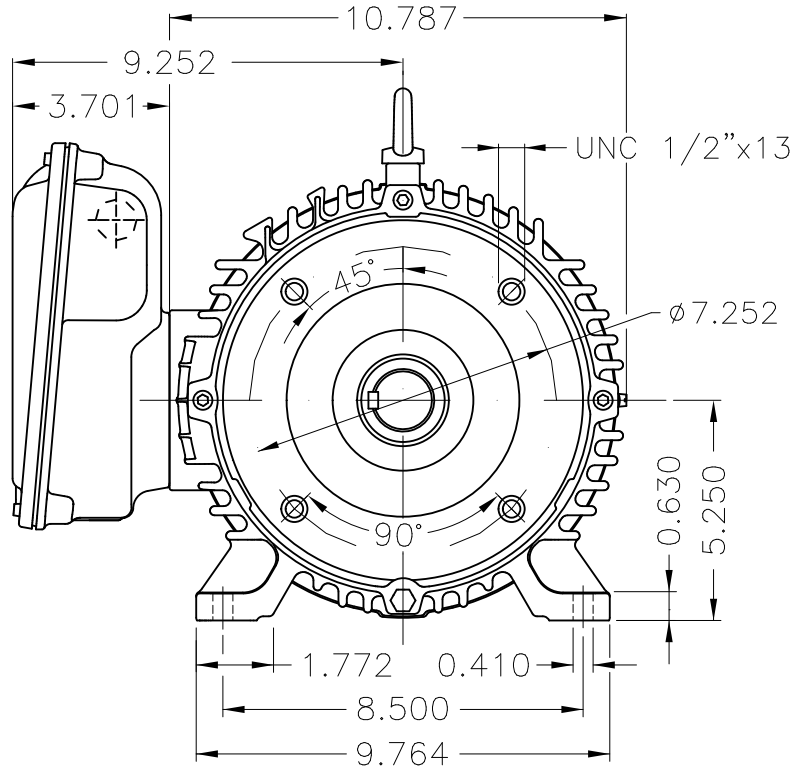


A

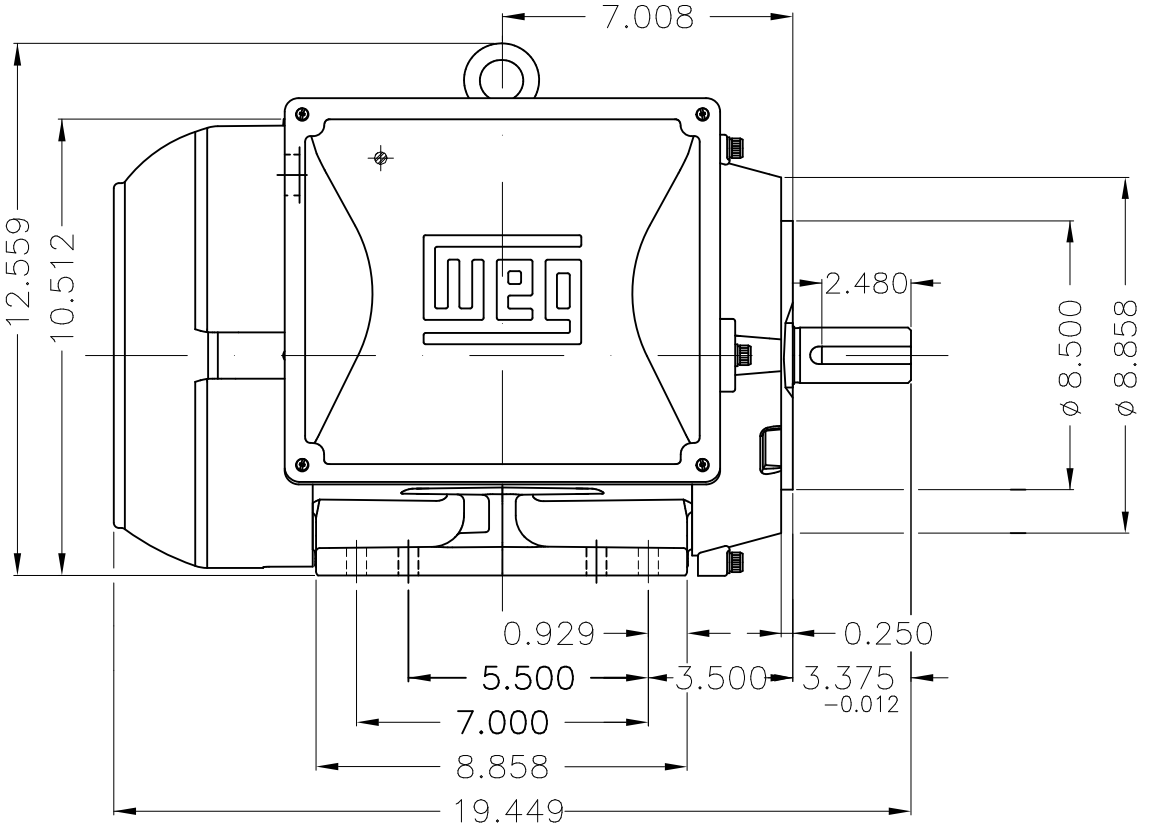


Main terminal box

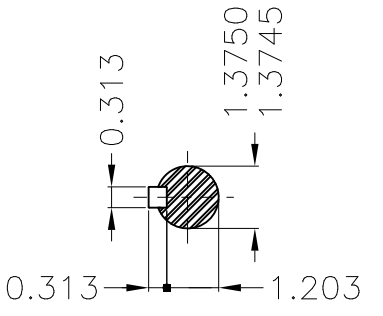
B



C



D



DE Shaft End

E

Mounting NEMA F-1									
Mounting B34R(D)									
						HYBRISUSER		00	
ECM	LOC	SUMMARY OF MODIFICATIONS			EXECUTED	CHECKED	RELEASED	DATE	VER
EXECUTED	HYBRISUSER	SINGLE PH. MOTOR W22				PREVIEW WDD 00 SHEET 1 / 1			
CHECKED		FRAME 213/5TC IP55 TEFC							
RELEASED									
REL. DATE	WMO	Jaragua do Sul	Product Engineering						

12.5 HP 04 Poles 60 Hz

WEG's property. Forbidden reproduction without previous authorization.



Dimensions in inches

XME A3