

1 2 3 4 5 6

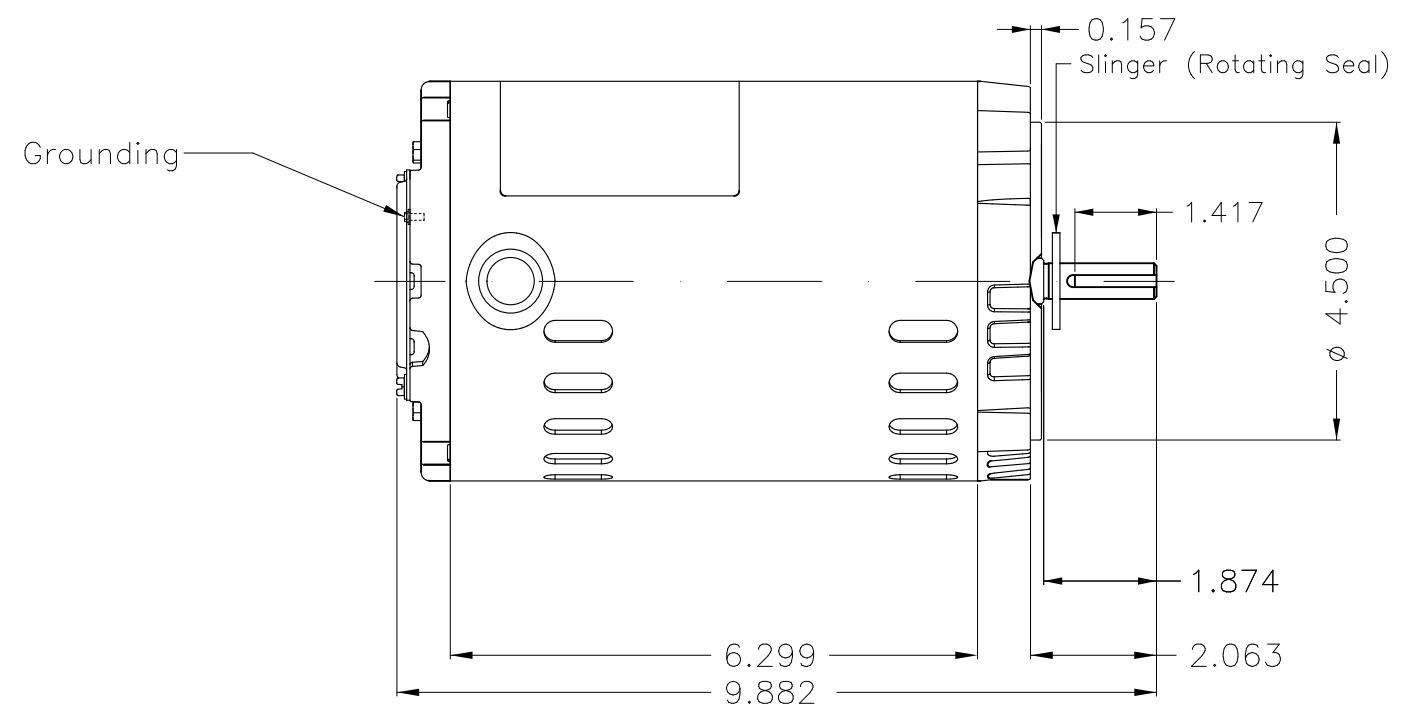
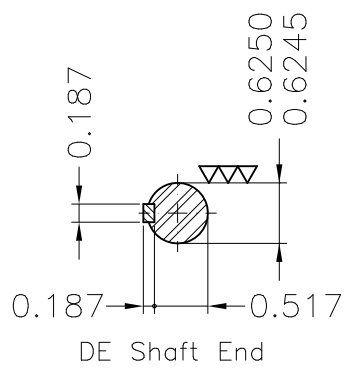
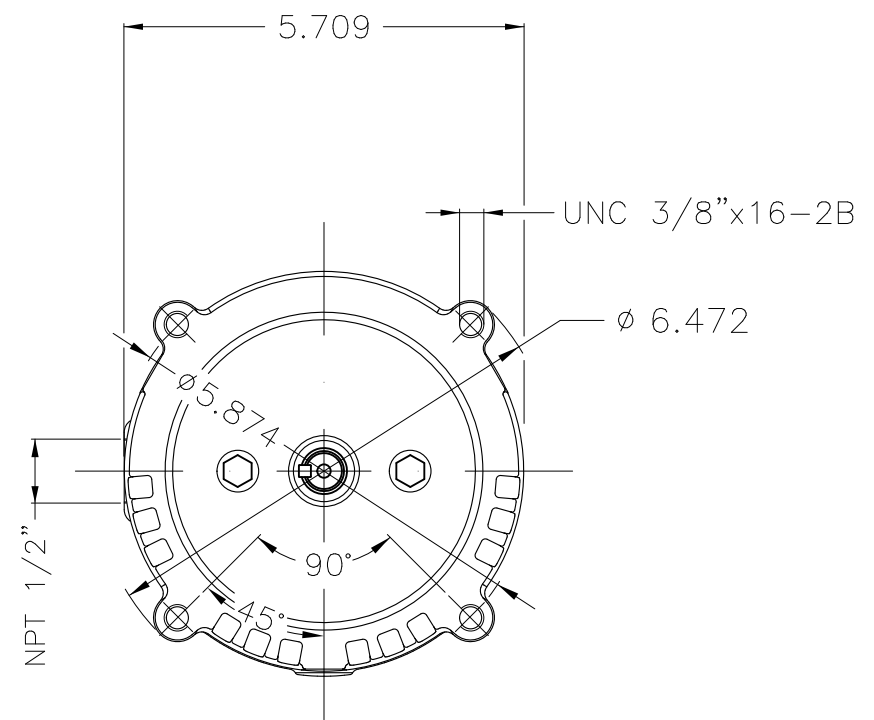
A

B

C

D

E



Color Munsell N 1 matte black  
 Painting plan 207N  
 Mounting F-1/B14R(D)

ECM	LOC	SUMMARY OF MODIFICATIONS	EXECUTED	CHECKED	RELEASED	DATE	VER
EXECUTED	HYBRISUSER	THREE PH. MOTOR ROLLED STEEL JET PUMP KEYED					
CHECKED		FRAME W56C IP21 ODP					
RELEASED							
REL. DATE	WMO	Jaragua do Sul	Product Engineering	HYBRISUSER 00 PREVIEW WDD 00 SHEET 1 / 1			

0.5 HP 02 Poles 60 Hz

A WMO Jaragua do Sul Product Engineering SHEET 1 / 1

Dimensions in inches

XME A3