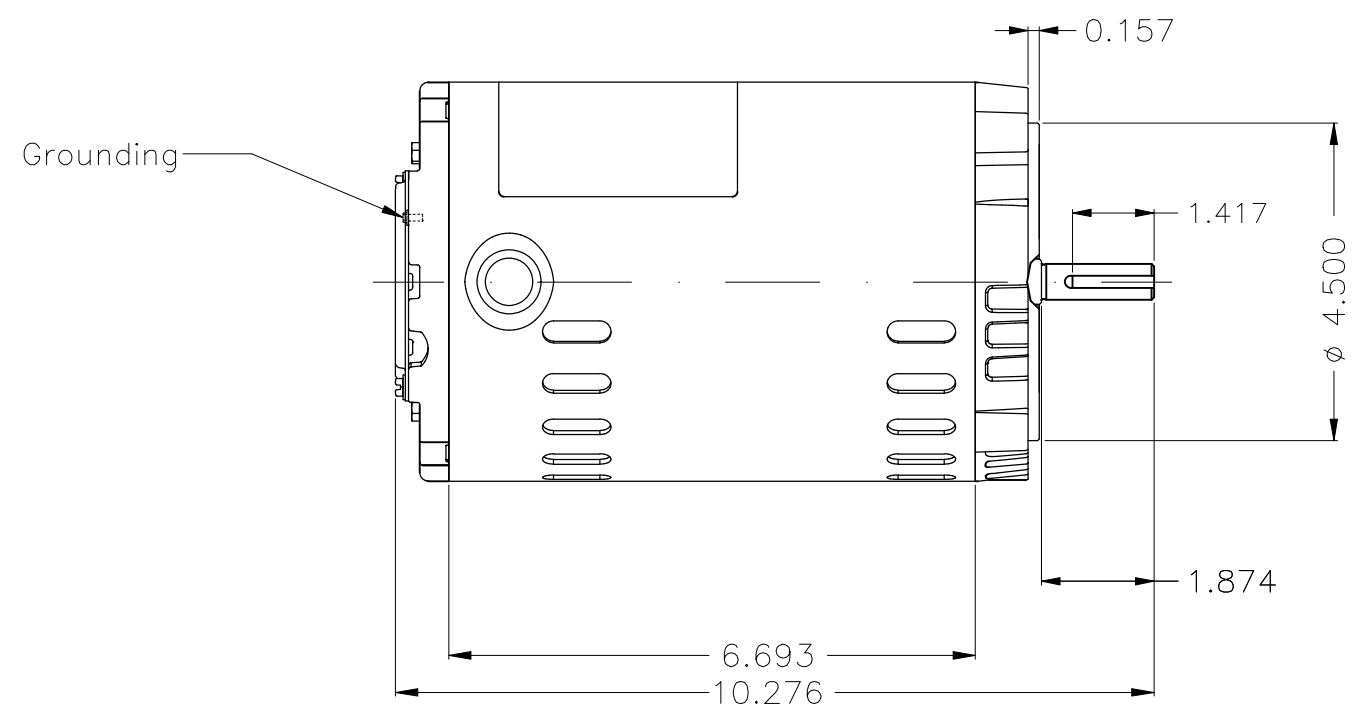
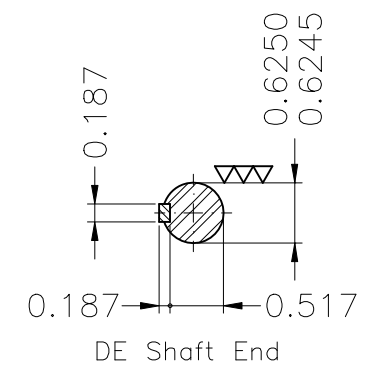
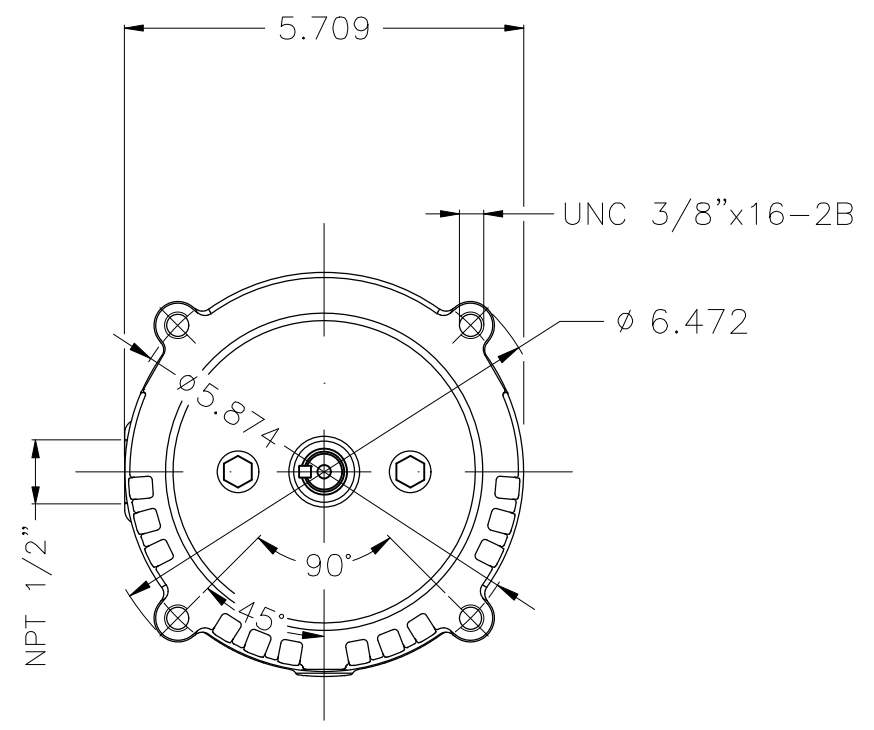
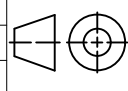



1 2 3 4 5 6

A
B
C
D
E



Color Munsell N 1 matte black						
Painting plan 207N						
Mounting F-1/B14R(D)						
					HYBRISUSER	00
ECM	LOC	SUMMARY OF MODIFICATIONS		EXECUTED	CHECKED	RELEASED
EXECUTED	HYBRISUSER	 THREE PH. MOTOR ROLLED STEEL PREM. EFF. FRAME W56C IP21 ODP		PREVIEW WDD 00		
CHECKED						
RELEASED						
REL. DATE		WMO	Jaragua do Sul	Product Engineering	SHEET	1 / 1

1 HP 02 Poles 60 Hz

A