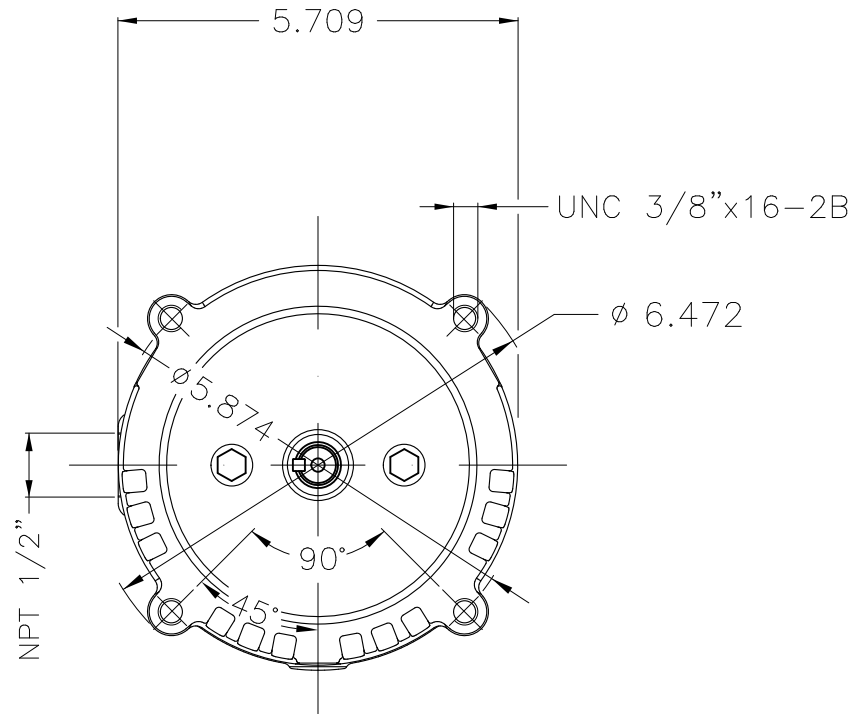
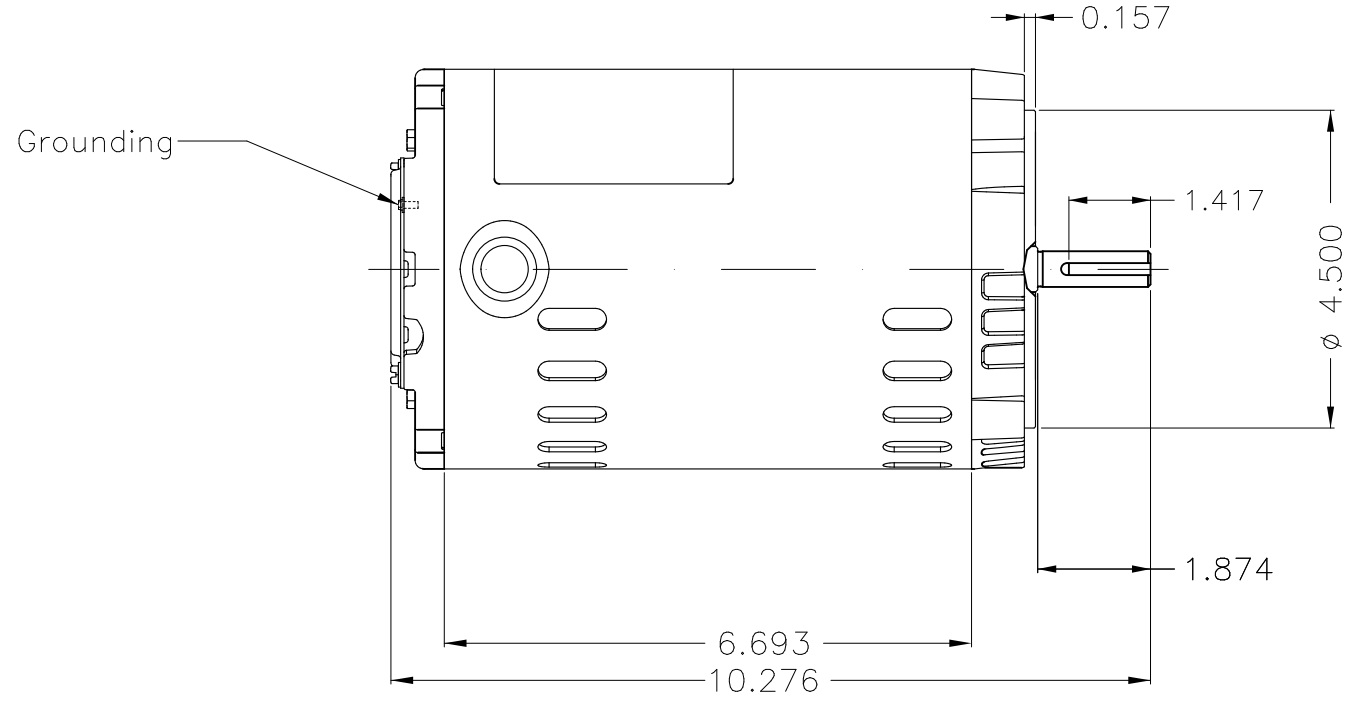


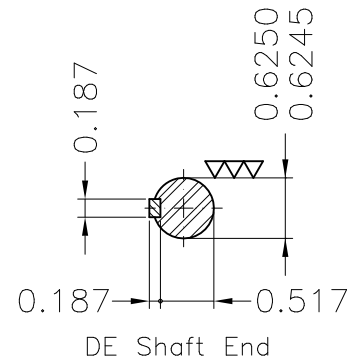
A



B



C



D

E

Color Munsell N 1 matte black						
Painting plan 207N						
Mounting F-1/B14R(D)						
			HYBRISUSER		00	
ECM	LOC	SUMMARY OF MODIFICATIONS	EXECUTED	CHECKED	RELEASED	DATE VER
EXECUTED	HYBRISUSER	THREE PH. MOTOR ROLLED STEEL PREM. EFF.				
CHECKED		FRAME W56C IP21 ODP				
RELEASED						
REL. DATE	WMO	Jaragua do Sul	Product Engineering	PREVIEW WDD 00		1 / 1

1 HP 02 Poles 60 Hz

A

